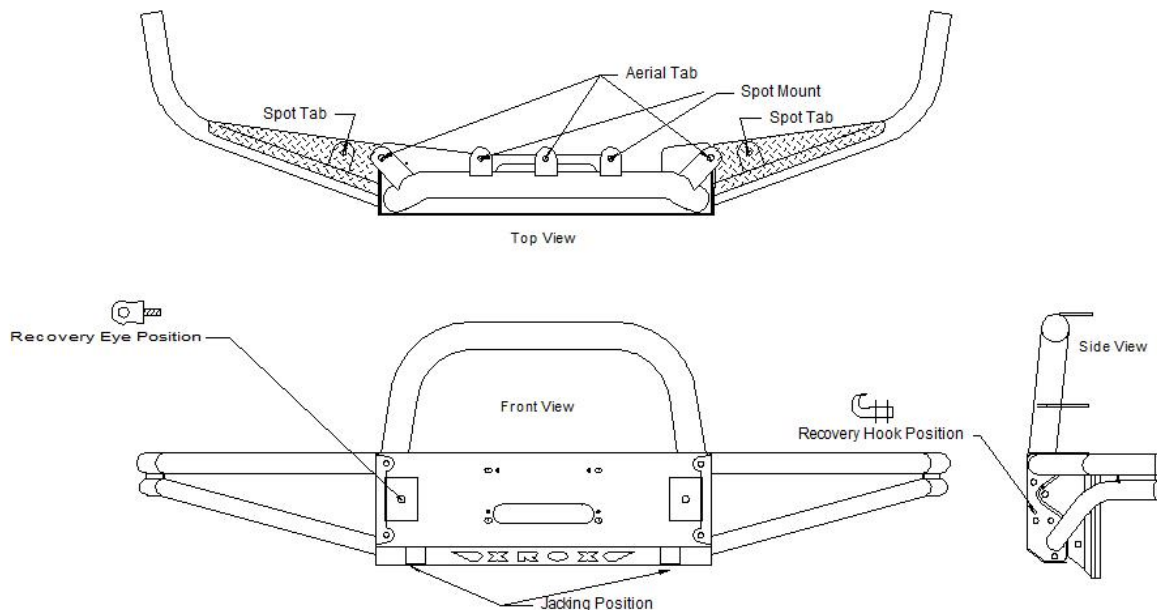


Outback Accessories Australia

Part No. XRTMK –XROX Steel Tube Bar

Mitsubishi Triton MK 02 - 06



This bar has detachable side wings that can be replaced if damaged; plus 6 spot tab, 3 aerial tabs, 2 jacking positions, 2 recovery eye and 2 hook locations. (Recovery eyes & hooks are not provided in this kit). The bar has been developed to accept up to a 15,000Lb. Warn low mount winch.

This bar & fitting kit is certified as being compatible with the Air Bag system of this vehicle. This sticker is to be attached to the up side of the centre section of the bumper pressing. The vehicle make and model need to be marked on the sticker with a ball point pen after it has been attached to the bar.

Fitting Instructions

1. Remove bumper and bumper mounts from vehicle. Disconnect indicator/ parklights before removing.
2. Cut off passenger side tow lug to make room for the Xrox mounts.
3. Paint exposed chassis and horn black.
4. Fit mounts to vehicle:

Drivers side: Place right hand bracket up to chassis and loosely fit using 2) 10x30 1.25 pitch bolts and 1) 12x35 bolt and nut, using a 50mm x5 round flat washer on the inside face.

Passenger side: Loosely fit left hand bracket and tow hook using 2) 10x30 1.25 pitch bolts. Place tow hook on top side of mount, then fasten using 1) 10x80 bolt and nut (use 12mm washer on outside of tow hook) through chassis and 2) 12x40 bolts to fasten the bottom holes of the tow hook to the mounts. These bolts are later utilised to

fit the bashplate. NOTE: If no hole is present in the chassis for the recovery point this will need to be drilled.

5. Mount the Xrox centre to the mounts using 8) 12x30 bolts, nuts, washers and spring washers. Level the bar then tighten mounts to the vehicle. Check the level of the Xrox centre again, then tighten remaining loose bolts.
6. Bolt the wings to the Xrox center using 4) 12x30 bolts, 4) 12x40 button head bolts, and 8) 10x25 bolts. Press the tube inserts into the ends of the wings. Use sikaflex or similar sealant to create watertight seal.
7. Fasten bashplate to mounts using 2) 12x30 bolts on the driver's side and the existing 2) 12x40 bolts on the passenger side. Check and tighten all bolts.
8. Fasten indicators and parklights to the Xrox wings using 8) 5mm x 10mm bolts placing the amber LED lamps to the outside. To fit screws into indicators and parklights, lever the lense from the black casing with a small flat head screw driver. Connect indicators and park lights to existing wiring and test.
9. Fasten number plate to bar using existing screws.

This XROX® tube bar comprises of both **powder coated** and **painted** parts, the side sections and centre are powder coated while the mounts are painted with a zinc enriched satin black enamel. If at any stage through the product's life the painted sections show signs of rusting, remove the rust and recoat with satin black zinc enriched enamel.

If a winch is being fitted an optional hinged number plate holder part No. SP27 is available. This is an additional cost.

Qty.	Description	Qty.	Description
1	XROX Bar Centre (C01)	21	12mm Nuts
1	Triton MK XROX Side Wing R/H (35)	41	12mm Flat Washers
1	Triton MK XROX Side Wing L/H (36)	17	12mm Thick Flat Washer
2	Triton MK Mounts (ID:MK)	25	12mm Spring Washers
1	Triton MK Bash plate (ID:MK)	1	10x80 Bolt
1	Tow Hook (Dwg XRTMK-4)	4	10x30 1.25 Bolts
1	Airbag Protection Sticker	8	10x25 Bolts
2	Plastic Tube Inserts 48mm (ID 42mm)	9	10mm Nuts
2	Plastic Tube Inserts 42mm (ID 36mm)	20	10mm Flat Washers
2	LED small Amber Indicator Markers	2	10mm Thick Flat Washer
2	LED small Clear Indicator Markers	13	10mm Spring Washers
1	50x5 Round Flat Washer	8	5x10mm Bolts
4	12x40 Button Head Allan Bolts	8	5mm Spring Washer
3	12x40 Bolt	8	5mm Nuts
1	12x35 Bolt		
17	12x30 Bolts	1	Fitting instructions

Kit Packed by:	Checked By:	Date:
----------------	-------------	-------