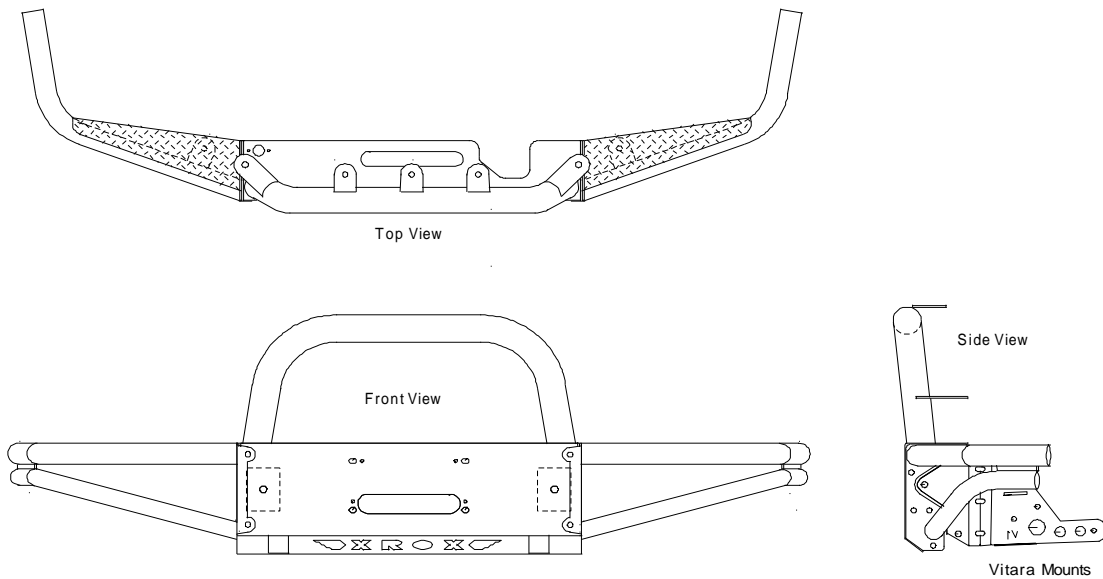


Outback Accessories Australia

Part No. XRS GV1 - XROX Steel Tube Bar

Suzuki Grand Vitara LWB & SWB 1998 – 07/2005



This bar has detachable side wings that can be replaced if damaged; plus 6 spot tab, 3 aerial tabs, 2 jacking positions, 2 recovery eye and 2 hook locations. (Recovery eyes & hooks are not provided in this kit). The bar has been developed to accept up to a 9,500Lb. Warn low mount winch.

This bar & fitting kit are certified as being compatible with the Air Bag system of this vehicle. The sticker is to be attached to the up side of the centre section of the bumper pressing. The vehicle make and model need to be marked on the sticker with a ballpoint pen after it has been attached to the bar.

NOTE: Bashplate does not fit the XL7

Fitting Instructions

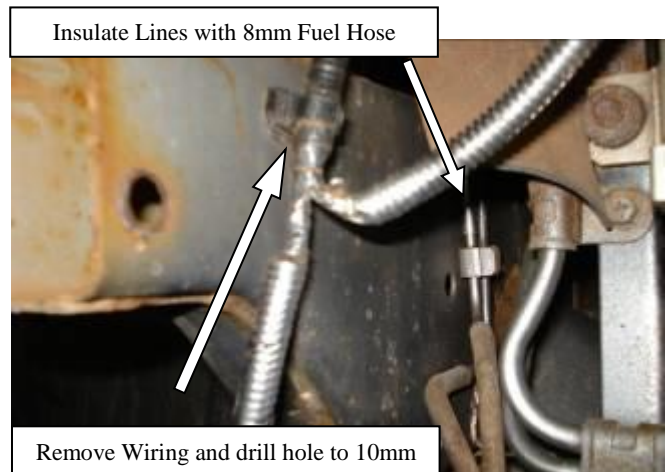
Vehicle Preparation:

1. Remove the bumper and bumper support brackets from the vehicle. Grill will first need to be removed.
2. Remove pump components from behind the front steel bumper support cross member.
3. Remove steel bumper support cross member and discard (Use crowbar to pry the cross member away from the vehicle).
4. Unclip the horn and pump wiring harness from the side of the chassis. Unclip the pump lines from the side of the chassis. Use a chisel to knock the captive screw out from the chassis.
5. Insulate exposed lines with the 8mm fuel line provided (80mm per line) to



protect components from chafing. Slit the fuel line down the side then slide it over the exposed lines. Use zip ties to fasten the lines.

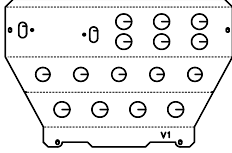
6. Unclip horn wiring harness from chassis and relocate using zip tie provided.
7. Drill out 7mm existing holes in chassis to 10mm (left and right).



Fitting Mounts and Bar:

8. Place the mounts onto the chassis and fasten them with 4) 10x25 bolts, washers, spring washers and nuts per side. Use 10mm nuts on wire to fasten the rear bracket holes.
9. **Installing the Xrox centre:** Loosely fit the Centre to the mounts using 8) 12x30 bolts, washers, spring washers and nuts.
10. **Installing Xrox wings:** Before tightening the centre, fit the wings using 8) 10x25 bolts, 4) 12x30 bolts, 4) 12x40 button head bolts, nuts, washers and spring washers. Once wings are fitted and tightened, align the bar so it is level and the wings follow the line of the bodywork. Tighten all bolts. Press the tube inserts into the ends of the wings. Use sikaflex or similar sealant to create watertight seal.
11. **Fitting the pump assembly and bashplate:** Loosely fit the rear of the bashplate to the vehicle using 2) 8x25 button head bolts, mudguard washers and spring washers. With the bashplate hanging down, fit the pump assembly to the bashplate using 2) 8x25 button head bolts, washers, spring washers and nuts. Fasten any loose wiring or hoses. Fit the front of the bashplate up to the bulbar mounts using 2) 8x25 button head bolts, mudguard washers on the bottom, flat washers on top, spring washers and 2) 8mm nuts on wire.
12. Trim plastic mudguards to suit the Xrox wings. Keep the gap between the wing and the guard small in order to adhere to ADR vehicle requirements.
13. Fit the number plate using 2) 6mm washered bolts and washered nuts.
14. Check and tighten all bolts.

Kit Contents

Qty.	Description	Qty.	Description
1	Grand Vitara XROX Centre (C01)	16	12mm Spring Washer
1	Grand Vitara XROX Side Wing R/H (W09)	32	12mm Flat Washers
1	Grand Vitara XROX Side Wing L/H (W10)	16	10x25mm Bolts
2	Grand Vitara Mounts: 1 L/H & 1 R/H ID: V1 (XRSGV1-a2)	12	10mm Nuts
1	Bashplate ID V1 (XRSGV1-b) 	28	10mm Flat Washers
2	Plastic Tube Insert (ID 42mm)	16	10mm Spring Washers
2	Plastic Tube Insert (ID 36mm)	6	8x25 Button Head Bolts
1	Air Bag Protection Sticker	2	8mm Nuts
160mm	8mm Fuel Hose	6	8mm Spring Washers
4	10mm Nuts and Washers on 300mm Wire Welded (XRSGV1-g)	6	8mm Washers
2	8mm Nuts and Washers on 200mm Wire Welded (XRSGV1-g)	4	8mm Mudguard Washers
4	12x40mm button head allan bolts	2	6mm Washered Bolts
12	12x30mm Bolts	2	6mm Washered Nuts
16	12mm Nuts	1	Fitting instructions

Kit Packed by:	Checked By:	Date:
----------------	-------------	-------