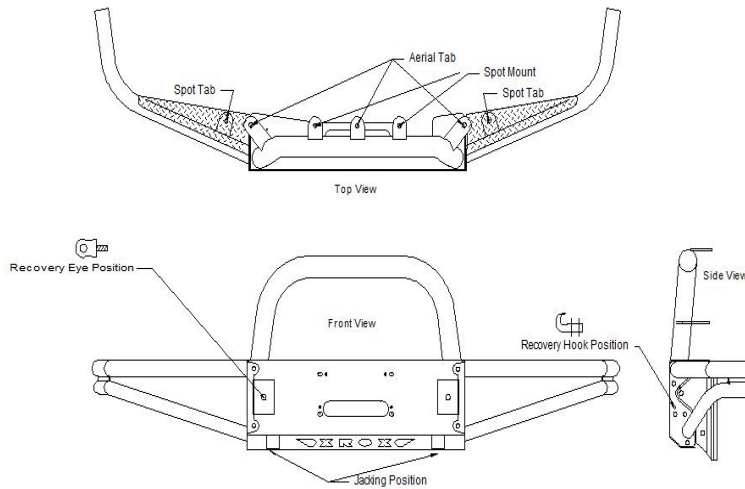


# Outback Accessories Australia

Part No. XRR1 –XROX Steel Tube Bar

## Holden Rodeo RA 4wd 2003 – 10/2007



This bar has detachable side wings that can be replaced if damaged; plus 6 spot tab, 3 aerial tabs, 2 jacking positions, 2 recovery eye and 2 hook locations. (Recovery eyes & hooks are not provided in this kit). The bar has been developed to accept up to a 15,000Lb. Warn low mount winch. This bar & fitting kit is compatible with the Air Bag system of this vehicle. The compliance sticker is to be attached to the bar in a position that is easily viewed during inspection. The vehicle make and model MUST be marked on the sticker with a permanent marker.

### Fitting Instructions

1. Remove the plastic bumper or OE bull bar.
2. Fit both bull bar mounts to the vehicle chassis. The R/H mount will need a 10mm hole drilled into the chassis. Fit a 10x30mm bolt with spring and flat washer through the drilled hole. Fit a 10mm nut with a 150mm long wire through the front access hole in the chassis mount. L/H mount lower securing point is through the towing eye, a large 50x5 round flat washer is needed on the inside. When fitting mounts to chassis, use the thick 10mm & 12mm flat washers provided.
3. Press the tube inserts into the ends of the wings. Use sikaflex or similar sealant to create watertight seal, and assemble the side tube wings to the bar centre using 8) M10 bolts,

washers, s/washers, nuts, 4) M12 bolts, washers, s/washers and nuts. 4) M12 button head allan bolts are used to bolt the front of the side wing to the centre.

4. Fit the assembled tube bar to the mounts and align the bar to the vehicle. Use 8) M12 bolts, washers, s/washers and nuts. Level Xrox bar and tighten all bolts.
5. Fit the number plate with existing screws.

If a winch is being fitted an optional hinged number plate holder part No. SP27 for steel rope or SP48 for plasma ropes is available. This is an additional cost.

This XROX® tube bar comprises of both **powder coated** and **painted** parts, the side sections and centre are powder coated while the mounts are painted with a zinc enriched satin black enamel. If at any stage through the product's life the painted sections show signs of rusting, remove the rust and recoat with satin black zinc enriched enamel.

#### Kit Contents

Qty.	Description	Qty.	Description
1	XROX Bar Centre <b>(C01)</b>	17	10mm Spring Washers
1	Rodeo RA XROX Side Wing R/H <b>(31)</b>	9	10mm Thick Flat Washers
1	Rodeo RA XROX Side Wing L/H <b>(32)</b>	16	10mm Flat Washers
2	Rodeo RA XROX Mounts XRR1 <b>(R1)</b>	13	12x30 Bolts
<b>1</b>	<b>Air Bag Protection Sticker</b>	4	12x40 Button Head Allan Bolts
2	Plastic Tube Inserts 48mm (ID 42mm)	16	12mm Nuts
2	Plastic Tube Inserts 42mm (ID 36mm )	17	12mm Spring Washers
8	10x25 Bolts	32	12mm Flat Washers
1	10x30 Bolt	1	12mm Thick Flat Washer
8	10x30 1.25 Bolts	1	50x5 Round Flat Washer
8	10mm Nuts		
1	10mm Nut with 150mm wire welded to nut		Fitting instructions
Kit Packed by:		Checked By:	
		Date:	