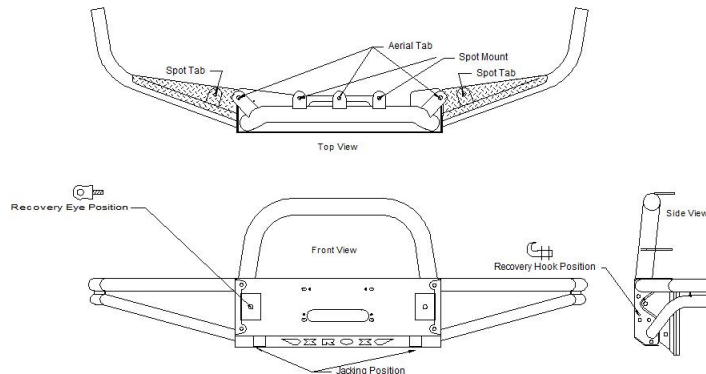


# Outback Accessories Australia

## Part No. XRPD91 - XROX Steel Tube Bar

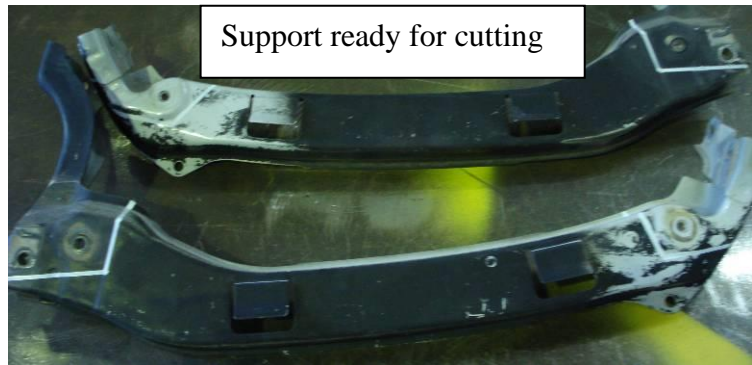
### Prado VZJ95R & KZJ95R Flared Model



This bar has detachable side wings that can be replaced if damaged; plus 6 spot tab, 3 aerial tabs, 2 jacking positions, 2 recovery eye and 2 hook locations. (Recovery eyes & hooks are not provided in this kit). The bar has been developed to accept up to a 15,000Lb. Warn low mount winch. The mounts for this bar have been engineered for airbag compatibility.

#### Fitting Instructions

1. Remove bumper from vehicle.
2. Remove the grill.
3. Remove the lower grill support pressing, then remove the head light support pressings on both sides.
4. Cut the centre section out of the light support pressings, as shown in the photos. You end up with two smaller support brackets to support the bottom of the light either side. Use the OE M6 bolts that were removed to install these modified brackets.
5. Refit the grill support panel and refit grill.
6. Fit the Prado mounts to the chassis (See Photos), the L shape bracket bolts to the bottom of the chassis, the main mount bracket bolts to the front and side of the L shape bracket wrapping around the end of the chassis. With both parts bolted together drill through the 12mm hole on the inside mount bracket, this will make it possible to fit the bolt through the brackets and chassis. 2) M12x40x1.25 bolts, thick flat washers, s/washers, 1) M12x90 bolt, thick flat washer, s/washer and nut, 1) M12x30 bolt, thick flat washers, spring washer and nut. 2) M10x25 bolts, flat washer, s/washer and nuts **per side**.





Right Hand Mount



Right Hand Mount  
Inside view

7. Press the tube inserts into the ends of the wings. Use sikaflex or similar sealant to create watertight seal, and assemble the side tube wings to the bar centre. 4) M10 bolts, flat washers, s/washers, nuts, 2) M12 button head allan bolts **per side** are used to bolt the front of the side wing to the centre.
8. Fit the assembled tube bar to the inside of the mounts and align the bar to the vehicle. 4) M12 bolts, flat washers, s/washers and nuts **per side**. Tighten all bolts.
9. Fit the number plate with the existing screws.

(Note: 50mm Lift mounts ID: XP15 are available).

This XROX® tube bar comprises of both **powder coated** and **painted** parts, the Side sections and centre are powder coated while the mounts are painted with a zinc enriched satin black enamel. If at any stage through the product's life the painted sections show signs of rusting, remove the rust and recoat with satin black zinc enriched enamel.

#### Kit Contents

Qty.	Description	Qty.	Description
1	XROX Bar Centre (C01)	32	12mm Flat Washers
1	XROX Bar Side Wing R/H (W51)	2	12x90 Bolts
1	XROX Bar Side Wing L/H (W52)	20	12mm Nuts
2	Prado Mounts (XRPD90-1) (XP1) 1) L/H & 1) R/H	12	10x25mm Bolts
2	Prado Mounts (XRPD90-1) (XP2) 1) L/H & 1) R/H	16	10mm Spring Washers
2	Plastic Tube insert 42mm (ID 36mm)	4	10x30x1.25 Fine Bolts
2	Plastic Tube Insert 48mm (ID 42mm)	28	10mm Flat Washers
1	Air Bag Protection Sticker	12	10mm Nuts
2	12x40x1.25 Fine Bolts	2	8x50mm Bolts
2	12x80x1.25 Fine Bolts	2	8mm Flat Washers
14	12x30mm Bolts	2	8mm Mudguard washers
4	12x40mm button head allan bolts	2	8mm Spring Washers
22	12mm Spring Washer		
14	12mm x3mm thick Flat Washers	1	Fitting instructions
Kit Packed by:		Checked By:	
		Date:	