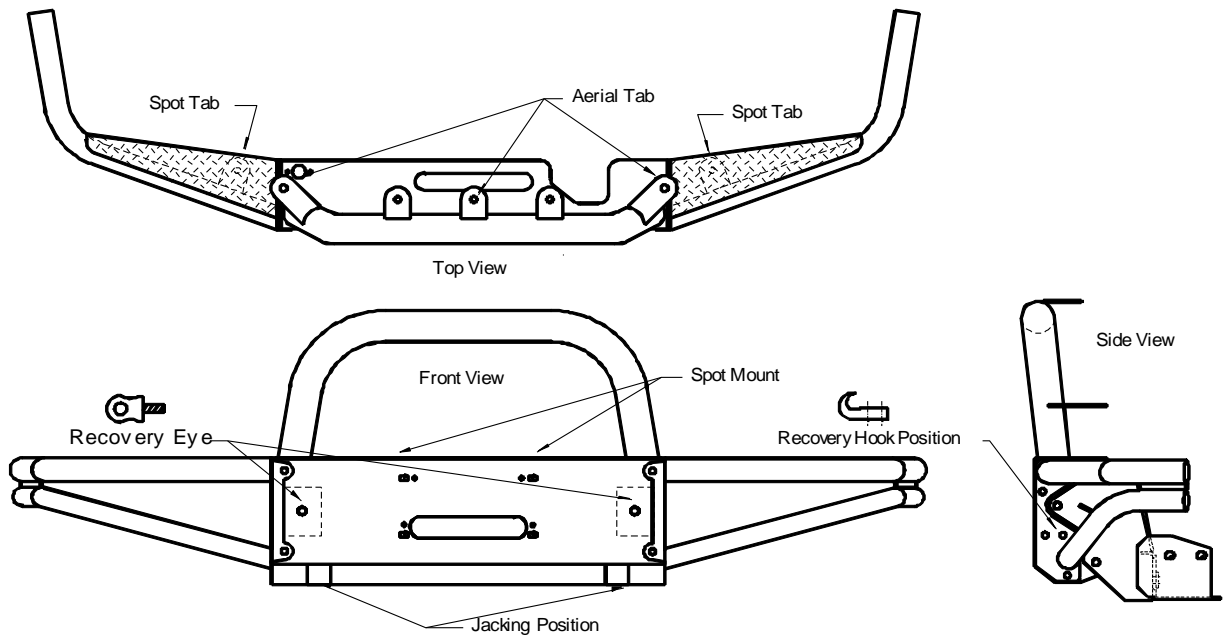


# Outback Accessories Australia

Part No. XRHLX - XROX Steel Tube Bar

Hilux 4WD – 2002 to 03/2005



This bar has detachable side wings that can be replaced if damaged; plus 6 spot tab, 3 aerial tabs, 2 jacking positions, 2 recovery eye and 2 hook locations. (Recovery eyes & hooks are not provided in this kit). The bar has been developed to accept up to a 15,000Lb. Warn low mount winch.

*50mm Lift mounts are available P/No.XRHLX-7).*

## Fitting Instructions

1. Remove bumper from vehicle.
2. Press the tube inserts into the ends of the wings. Use sikaflex or similar sealant to create watertight seal, and assemble the side tube wings to the bar centre. 4) M10 bolts, flat washers, s/washers, nuts, 2) M12 button head allan bolts **per side** are used to bolt the front of the side wing to the centre.
3. Fit the Hilux mounts to the chassis. 2) M12x50x1.25 bolts, thick flat washers, s/washers, 1) M8x50 bolt, flat washer, mudguard washer, s/washer, 2) M10x30x1.25 bolts, flat washer, s/washer **per side**.
4. Fit the assembled tube bar to the mounts and align the bar to the vehicle. 4) M12 bolts, flat washers, s/washers and nuts **per side**. Tighten all bolts.
5. Fit the number plate with the existing screws.

**Note: Advise the customer to periodically check tension of all mounting bolts - especially in extreme conditions.**

**Kit Contents**

<b>Qty.</b>	<b>Description</b>	<b>Qty.</b>	<b>Description</b>
1	Hilux XROX Bar Centre (C01)	16	12mm Nuts
1	Hilux XROX Bar Side Wing R/H (W09)	8	10x25mm Bolts
1	Hilux XROX Bar Side Wing L/H (W10)	12	10mm Spring Washers
2	Hilux Bar Mounts (XRHLX-1)	4	10x30x1.25 Fine Bolts
2	Plastic Tube insert 42mm (ID 36mm)	20	10mm Flat Washers
2	Plastic Tube Insert 48mm (ID 42mm)	8	10mm Nuts
4	12x50x1.25 Fine Bolts	2	8x50mm Bolts
12	12x30mm Bolts	2	8mm Flat Washers
4	12x40mm button head allan bolts	2	8mm Mudguard washers
18	12mm Spring Washer	2	8mm Spring Washers
4	12mm x3mm thick Flat Washers		
32	12mm Flat Washers	1	Fitting instructions

Kit Packed by:	Checked By:	Date:
----------------	-------------	-------