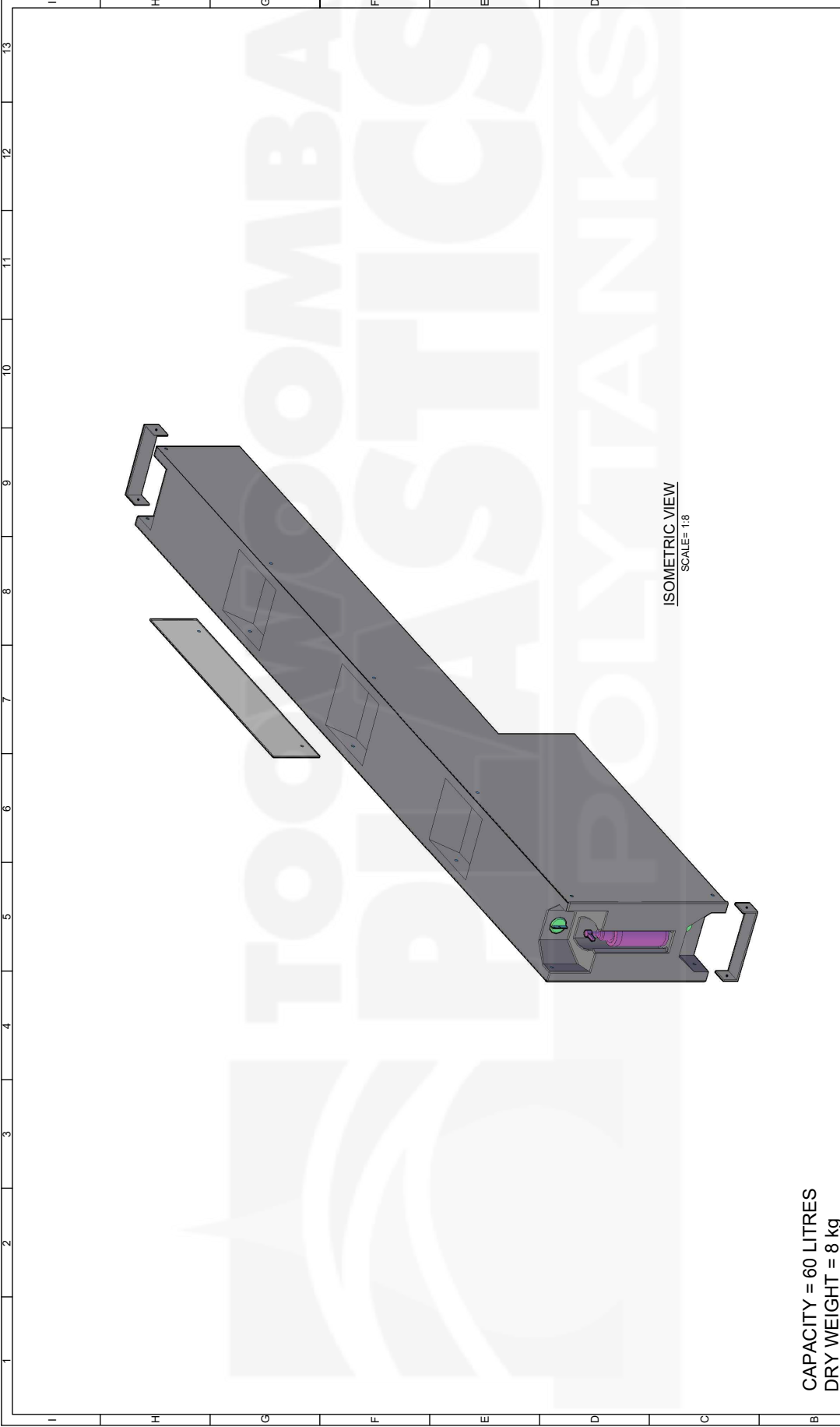


CAPACITY = 60 LITRES
 DRY WEIGHT = 8 kg
 MATERIAL = POLYETHYLENE
 COLOUR = BLACK
 WALL THICKNESS = 6mm Min.

References:-		Client: TOOWOOMBA PLASTICS & SHEETMETAL	
Project:		Title: 60L Styleside Ute Tank	
GENERAL ARRANGEMENT		Date: 14-07-16	
Scale: INDICATED		AS 1100-1993	
Sheet Size A3		Third Angle Projection	
Copyright and Reproduction		Drawing No.	
Copyright in the drawings information and data recorded hereon and their format and presentation ("data") is the property of 3D CADWORKS and may not be used, copied or reproduced in whole or part for any purpose other than that for which it is supplied by 3D CADWORKS without the prior consent of 3D CADWORKS. 3D CADWORKS is not responsible for any document or part of a document produced containing data unless that document or the relevant part is identical to the document provided herewith ("the accompanying document"). The terms printed on this label are part of a data and the accompanying documents and must be contained of allured to any reproduction of the data or the accompanying documents.		Rev.	
Designed By		Checked By	
Cat File:			

REV.	DESCRIPTION	DATE	APROVED
REVISIONS			
1			
2			
3			
4			
5			
6			



ISOMETRIC VIEW
SCALE= 1:8

CAPACITY = 60 LITRES
DRY WEIGHT = 8 kg
MATERIAL = POLYETHYLENE
COLOUR = BLACK
WALL THICKNESS = 6mm Min.

REV.	DESCRIPTION	DATE	APPROVED

REVISIONS	

References:-

Client: TOOWOOMBA PLASTICS & SHEETMETAL
 Project: 60L Style Side Ute Tank
 Title: GENERAL ARRANGEMENT

Sheet Size: **A3**
 AS 1100-1993
 Scale: INDICATED
 Date: 14-07-16
 Drawn By: [REDACTED]
 Checked By: [REDACTED]
 Drawing No. [REDACTED]

THIRD ANGLE PROJECTION

Copyright and Reproduction: This drawing is the property of TOOWOOMBA PLASTICS & SHEETMETAL. It is not to be used, copied, reproduced or disseminated in any form without the prior written consent of TOOWOOMBA PLASTICS & SHEETMETAL. The copyright in this document is reserved. All rights reserved. No part of this document may be reproduced or transmitted in any form or by any means, electronic, mechanical, photocopying, recording, or by any information storage and retrieval system, without the prior written permission of TOOWOOMBA PLASTICS & SHEETMETAL.

1 2 3 4 5 6 7 8 9 10 11 12 13

I H G F E D C B A