

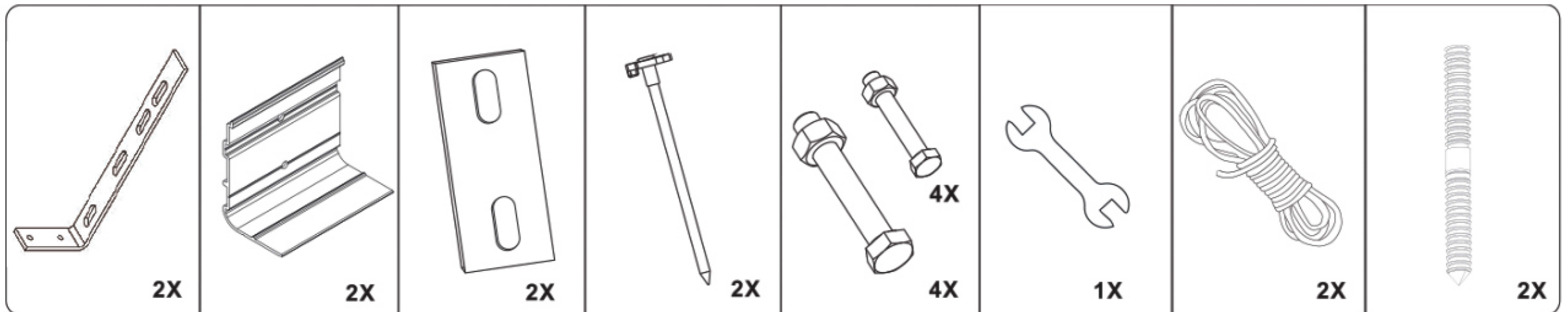
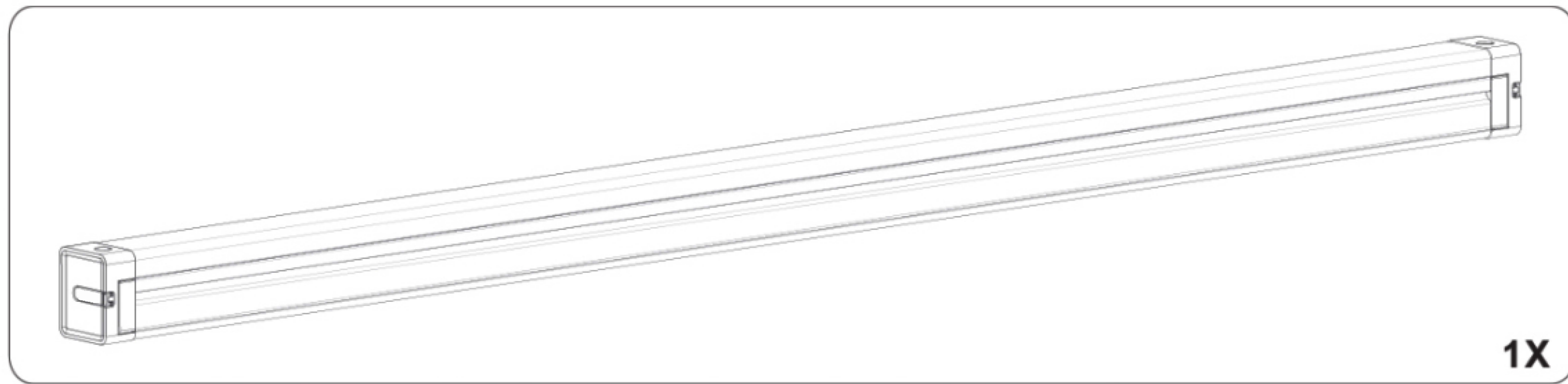
# ***INSTALLATION INSTRUCTION***



**SEMI-AUTOMATIC CAR SIDE AWNING**

**TTAA21, TTAA25**

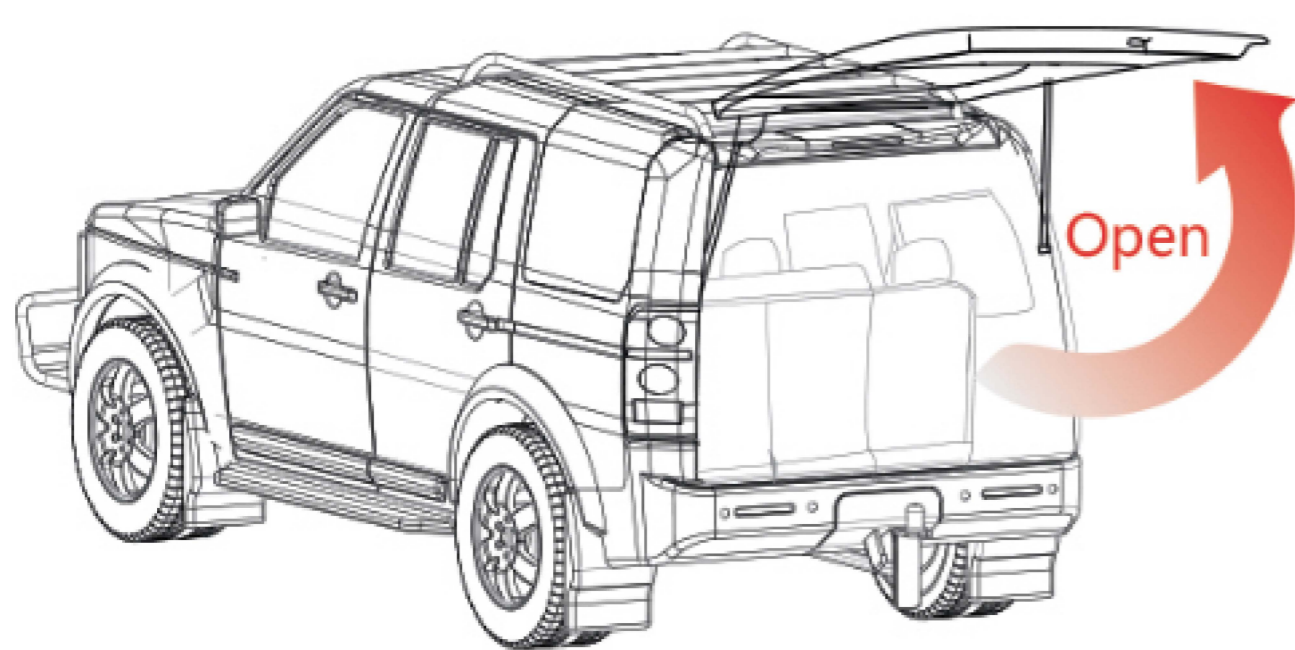
# PACKAGE CONTENTS



L shape bracket 2X   Bracket 2X   Heel block 2X   Peg 2X   Bolt 4X   Wrench 1X   Rope 2X   Floor nail 2X

## ⚠️ INSTALLATION INSTRUCTION

1. Installation should be carried out by an experienced installation person.
2. Before installation, please ensure that the vehicle has a luggage rack or luggage frame to facilitate the fixing of awning. If the luggage rack has been installed, Please follow the steps below and choose the appropriate way to fix the awning brackets

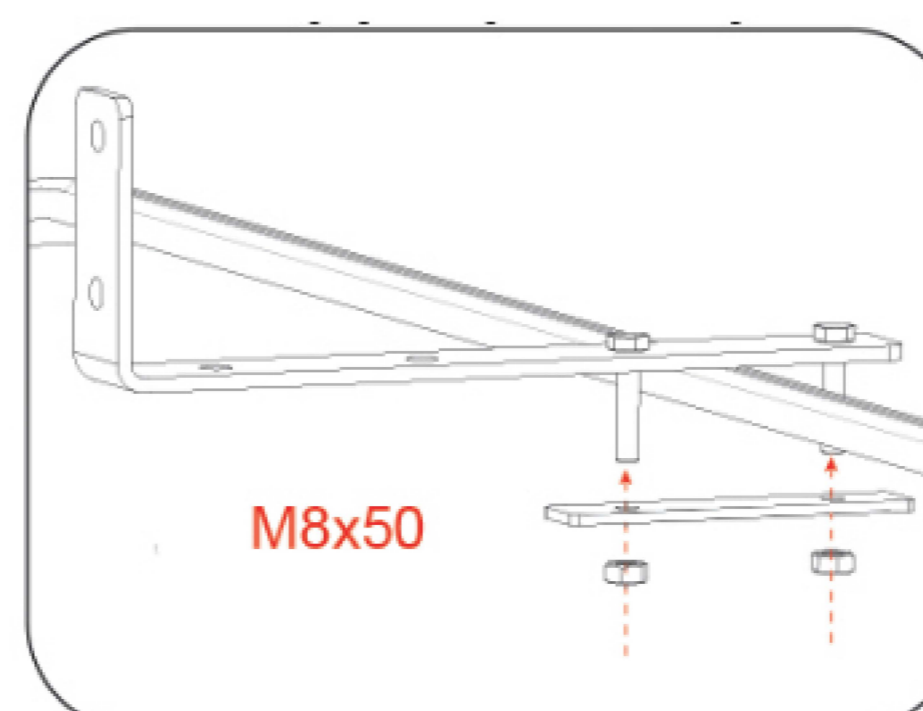


Before installing the awning, it is recommended to open the trunk lid to ensure that the car lid won't touch the awning cassette to avoid unnecessary damage

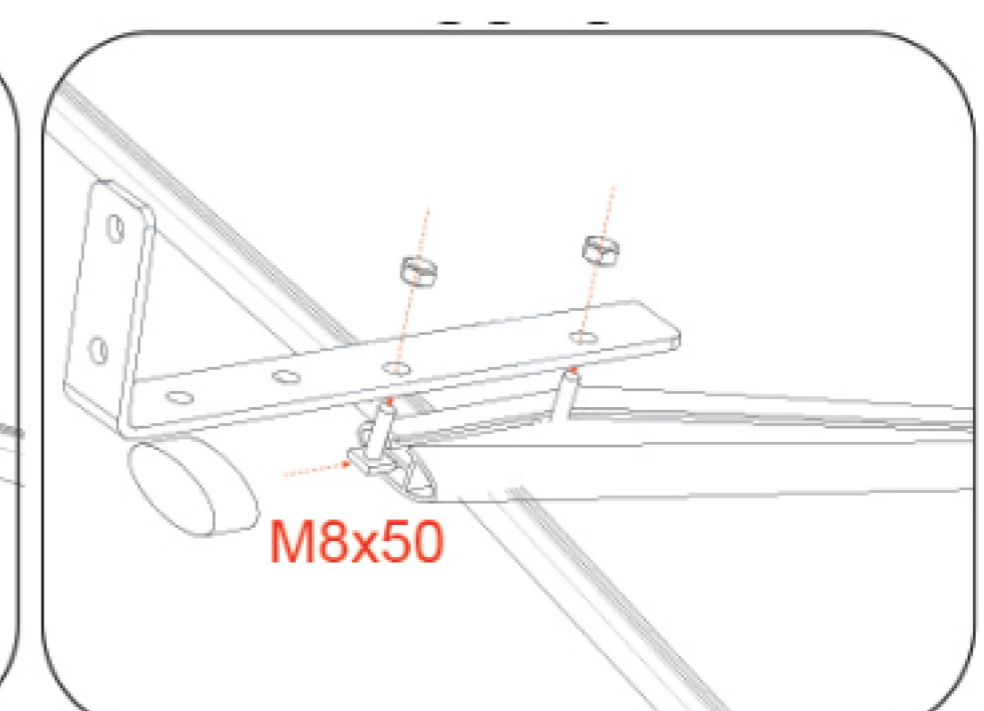
## L SHAPE BRACKET AND ROOF RACK CONNECTION

1. Please open the package and find the accessory kit bag.

2. Take out the L-shaped bracket, Heel block and fixation screws, and fix bracket in the appropriate position of the luggage rack.



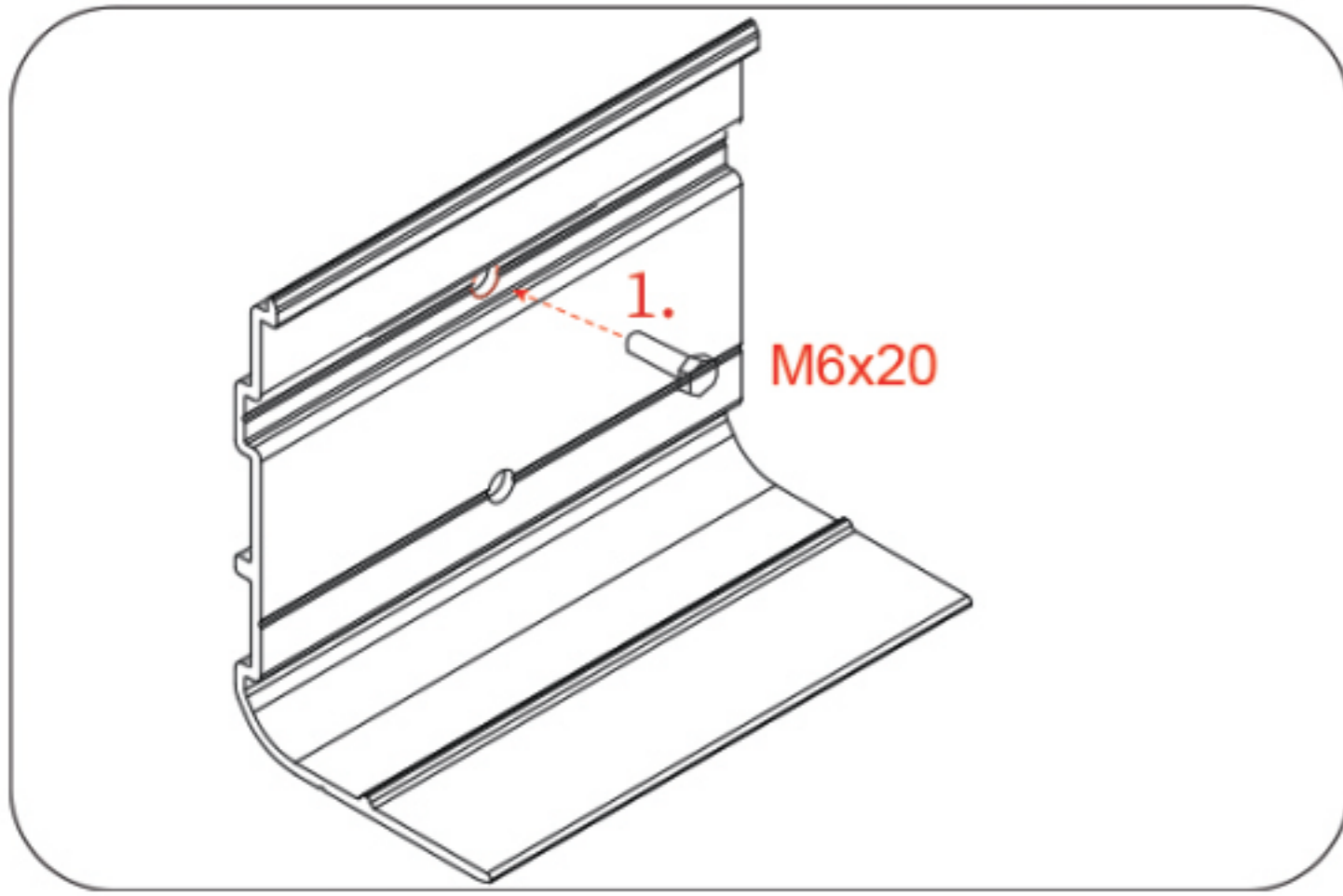
Horizontal Rack



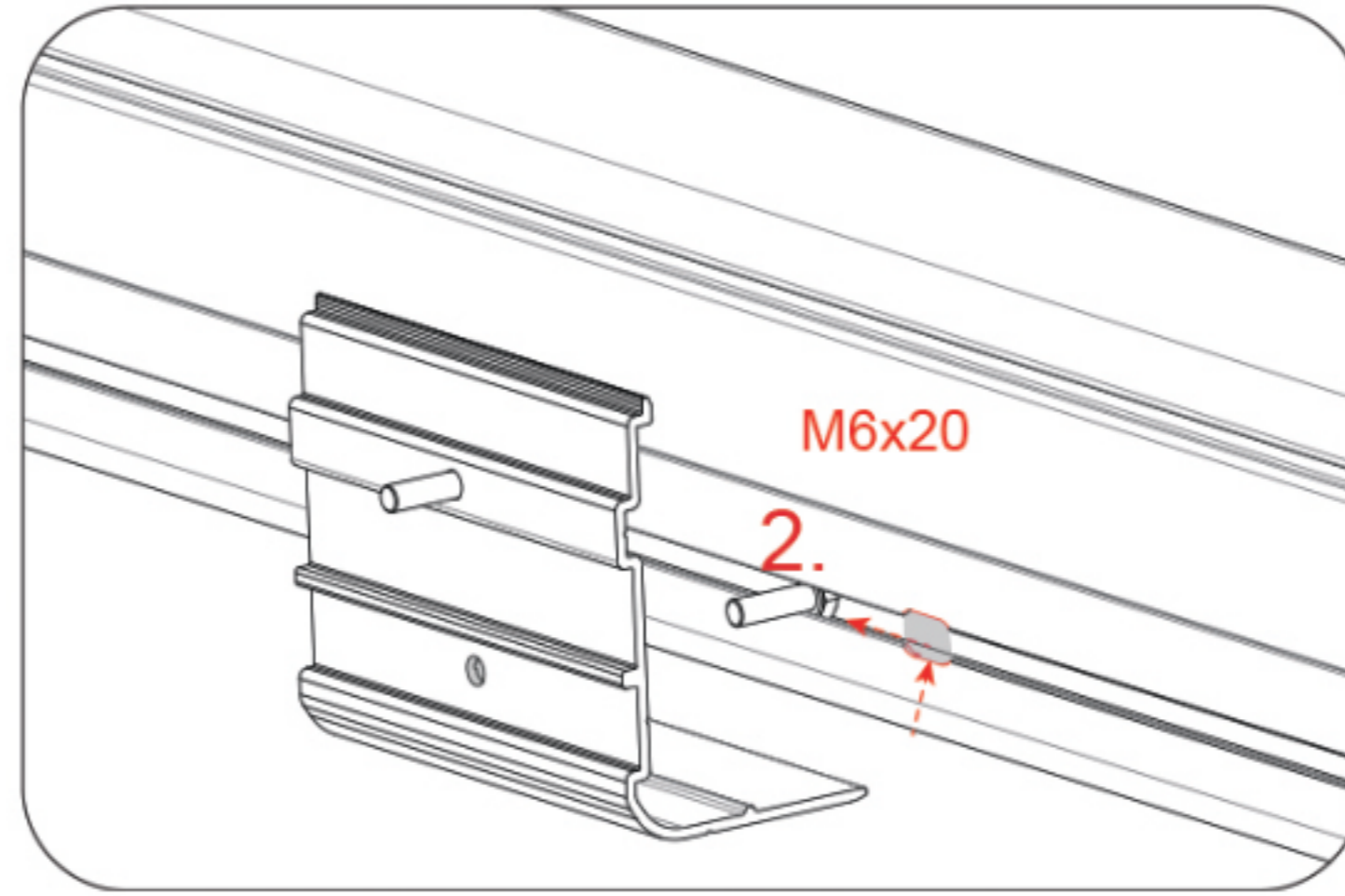
Vertical Rack

# AWNING BRACKET INSTALLATION

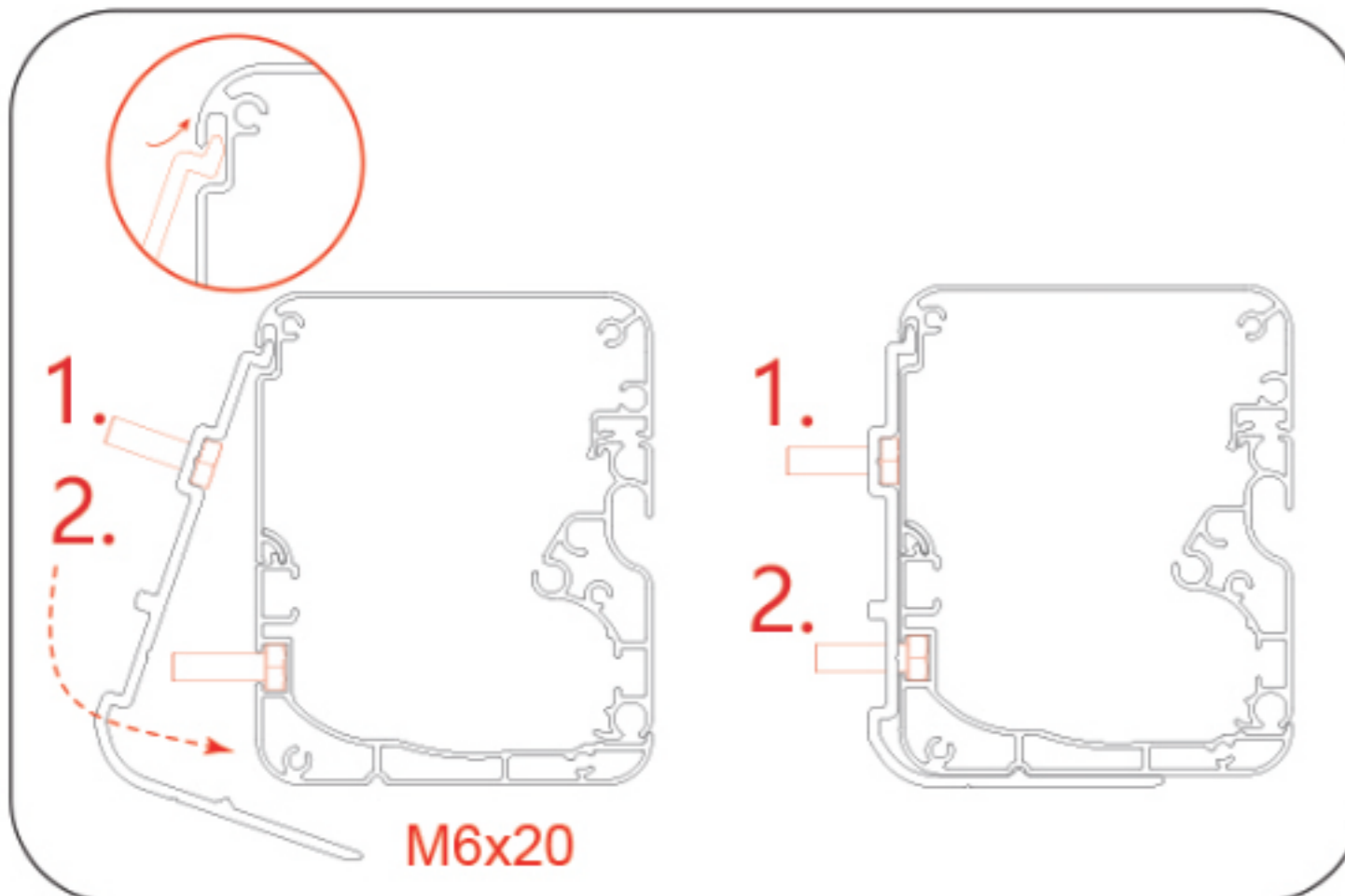
1. Insert the screw into hole No.1 from the inside of bracket.



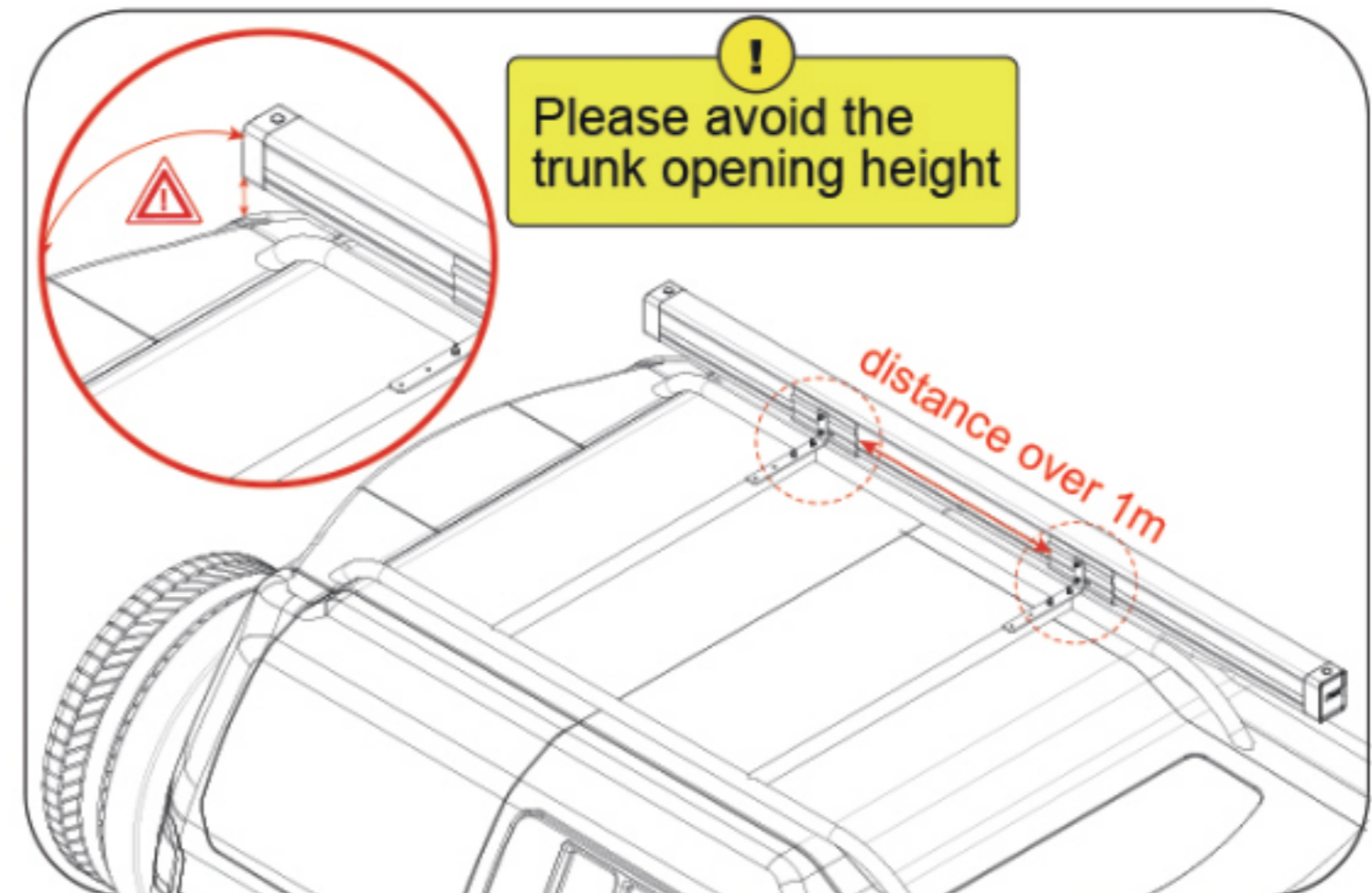
2. Put another screw into hole No.2 and slide it along the track to appropriate point.



3. Insert the screw in hole No.2 into the hole corresponding to the bracket, and adjust the distance of bracket based on the installation position.

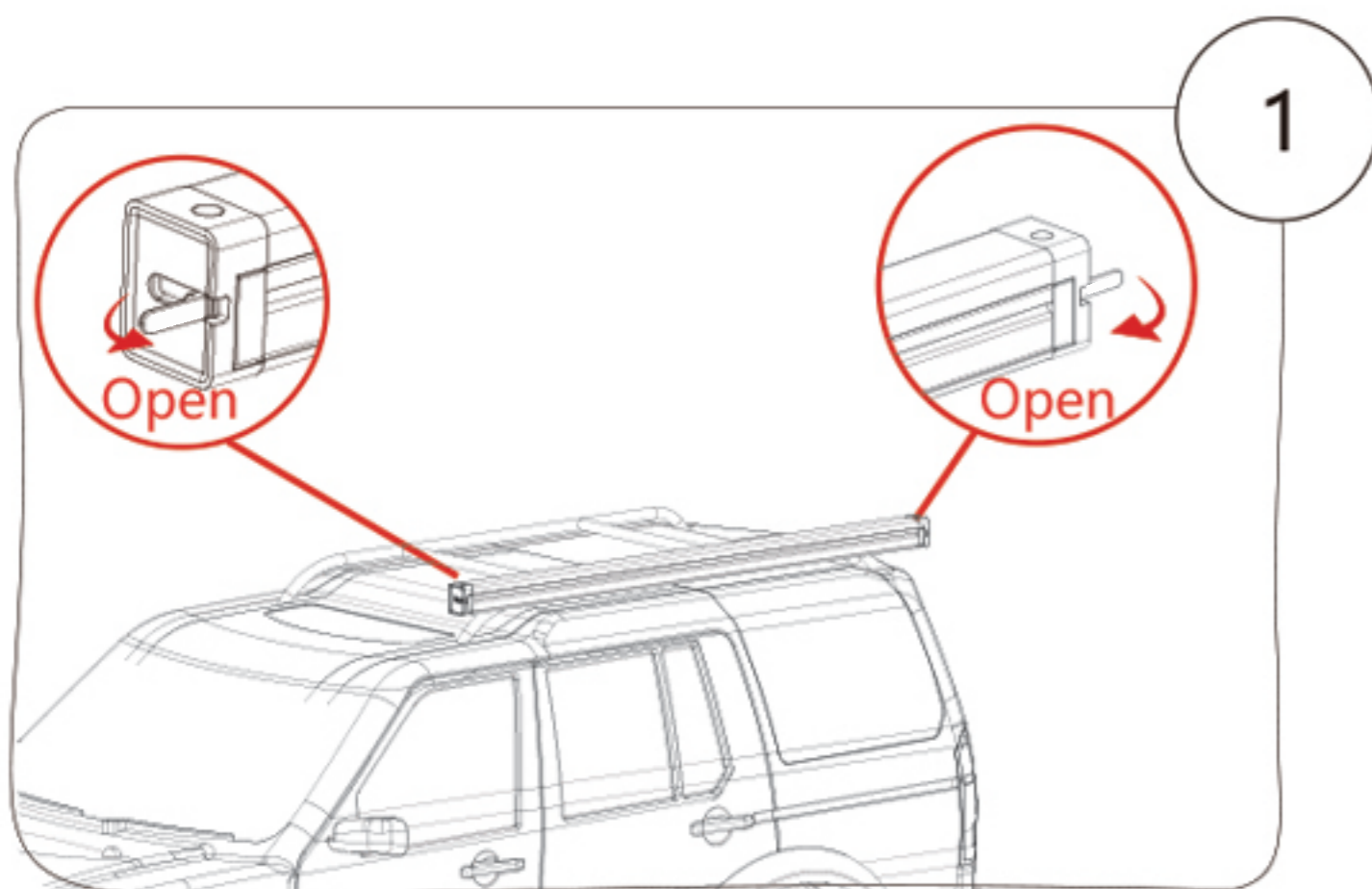


4. Connect the awning bracket with L shape bracket and lock all mounting screws securely

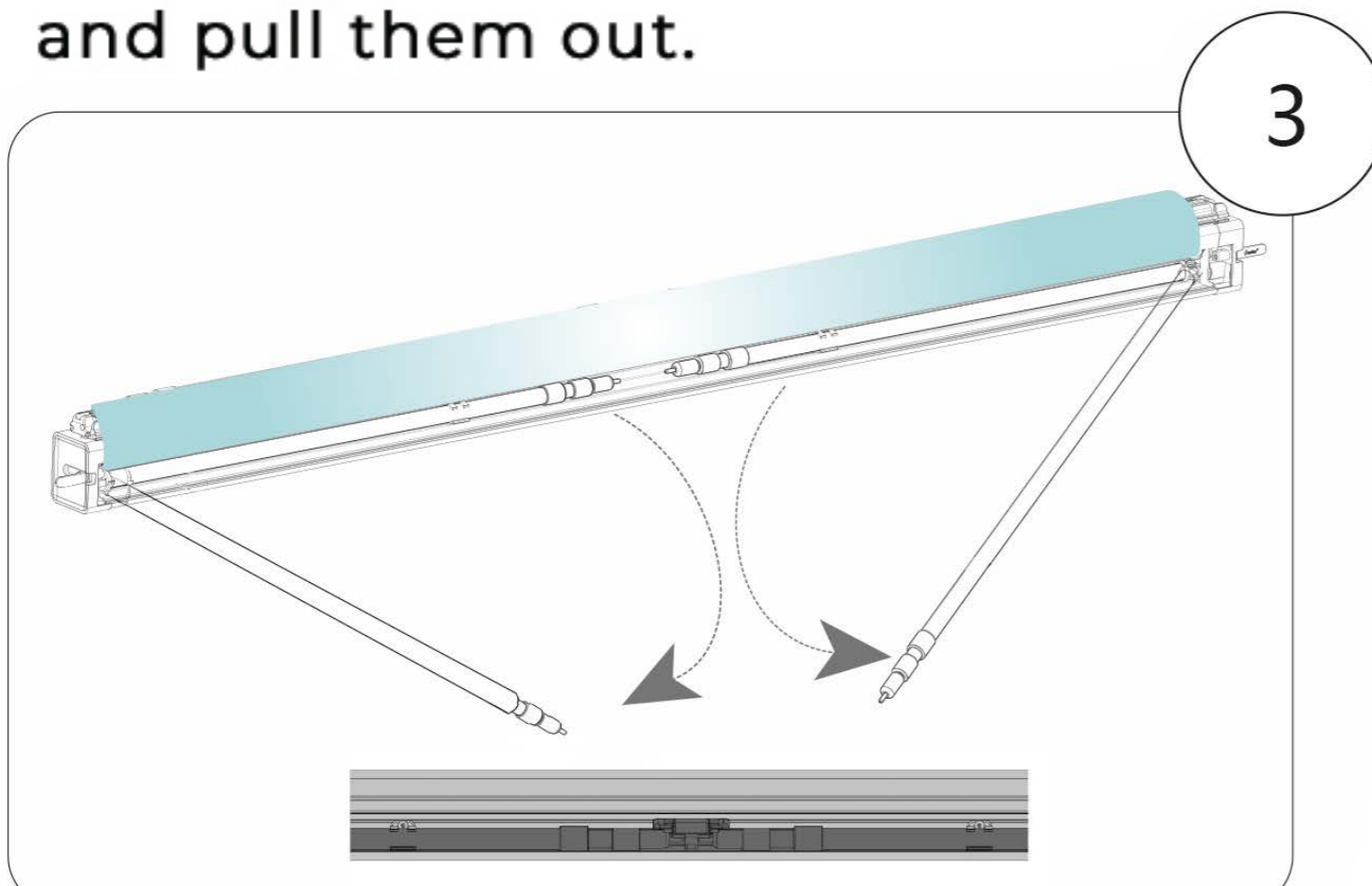


# OPENING INSTRUCTIONS

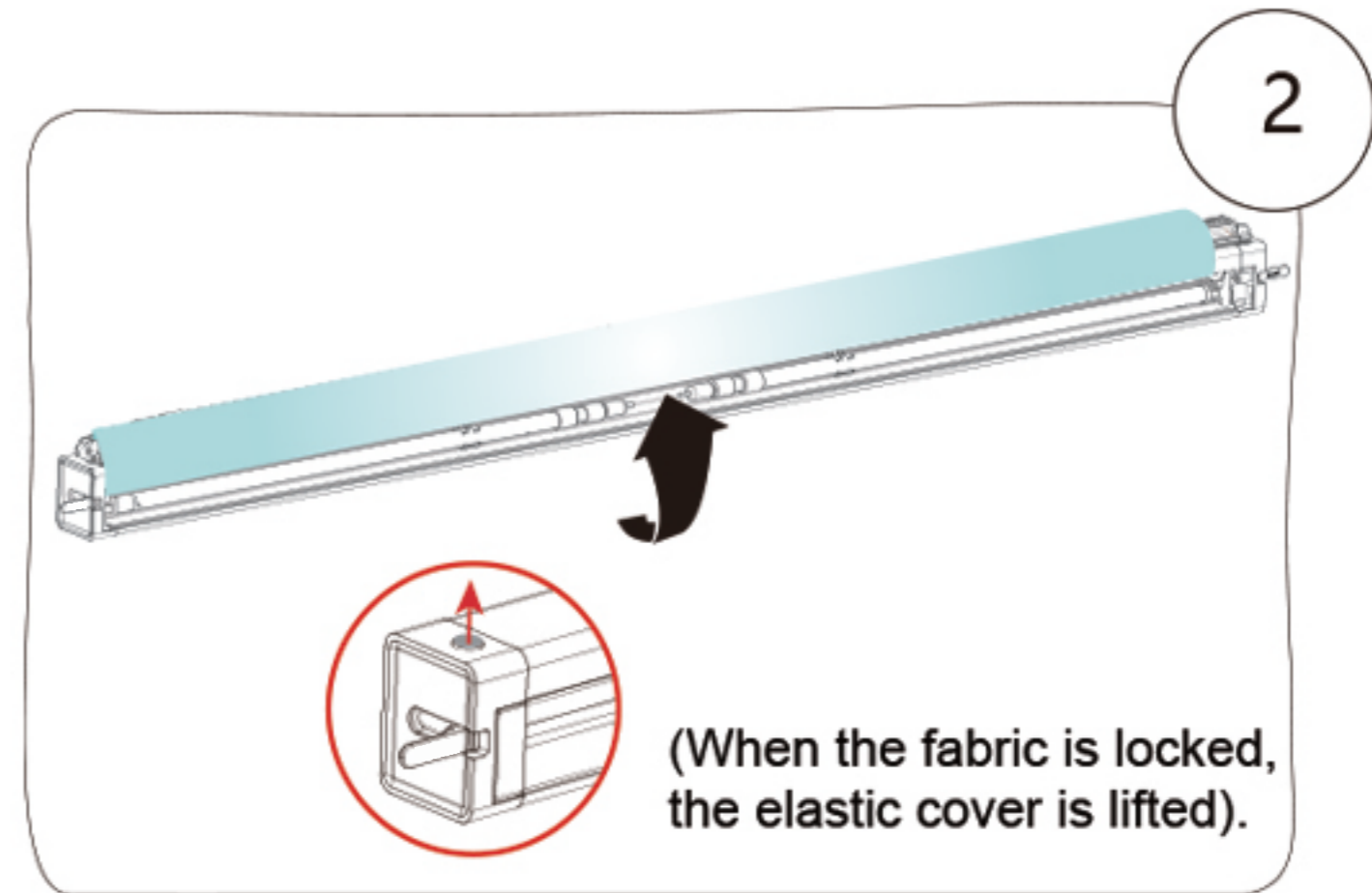
1. Open the safety wrench on both sides of the awning.



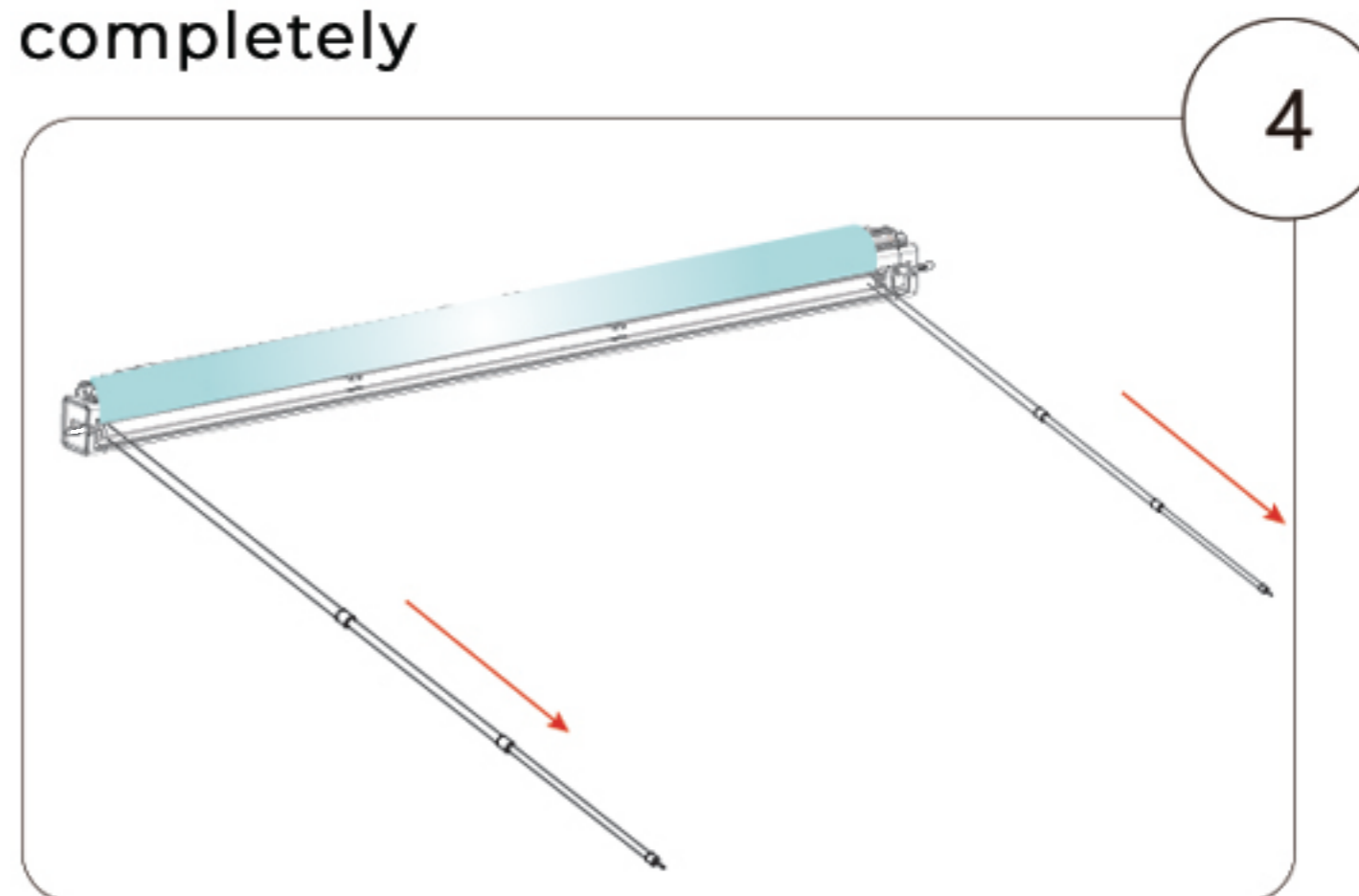
3. Take out the left and right arms and pull them out.



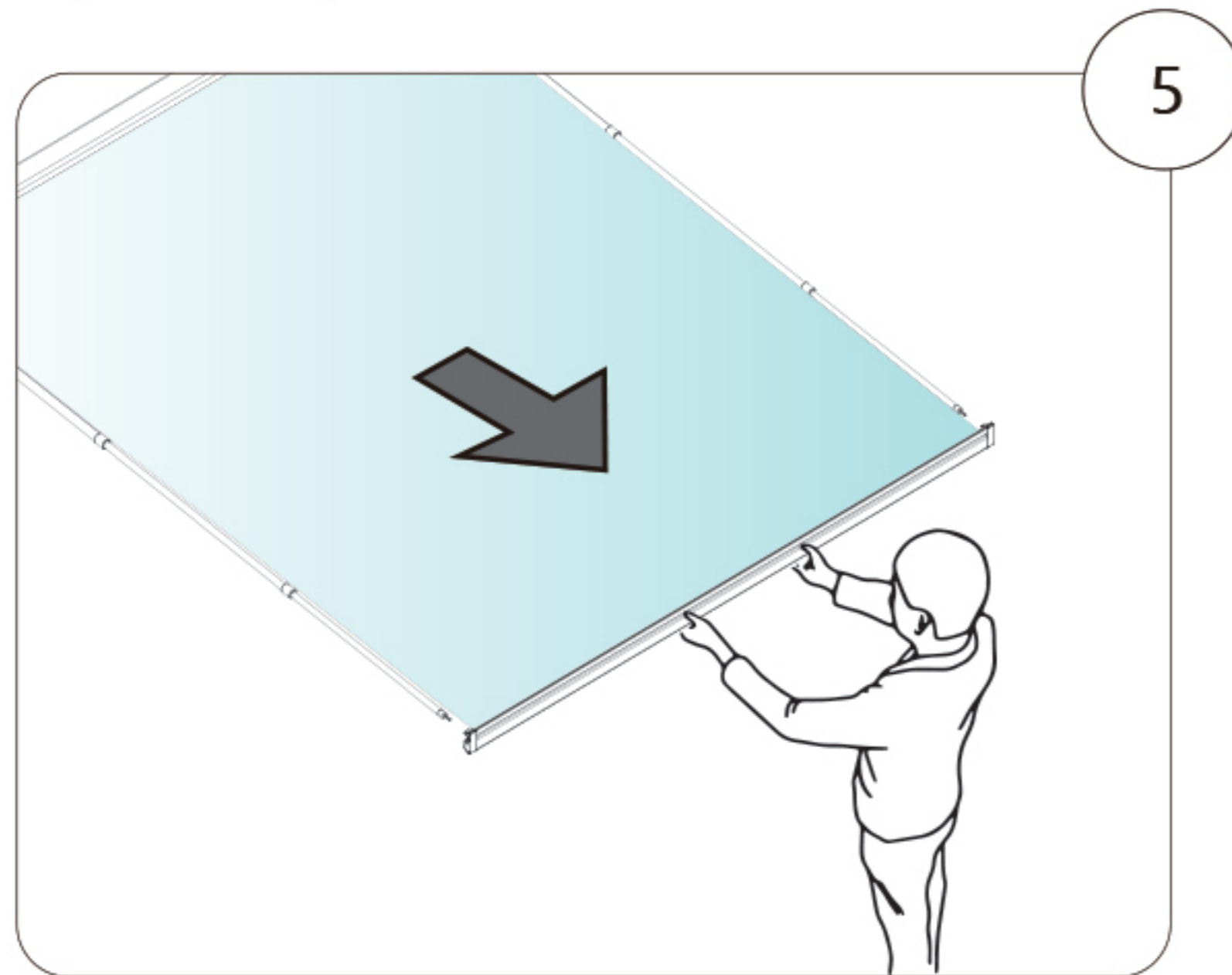
2. Pull awning front bar to a position of 20cm-30cm, lock the fabric, and place it on the top shell for convenient operation.



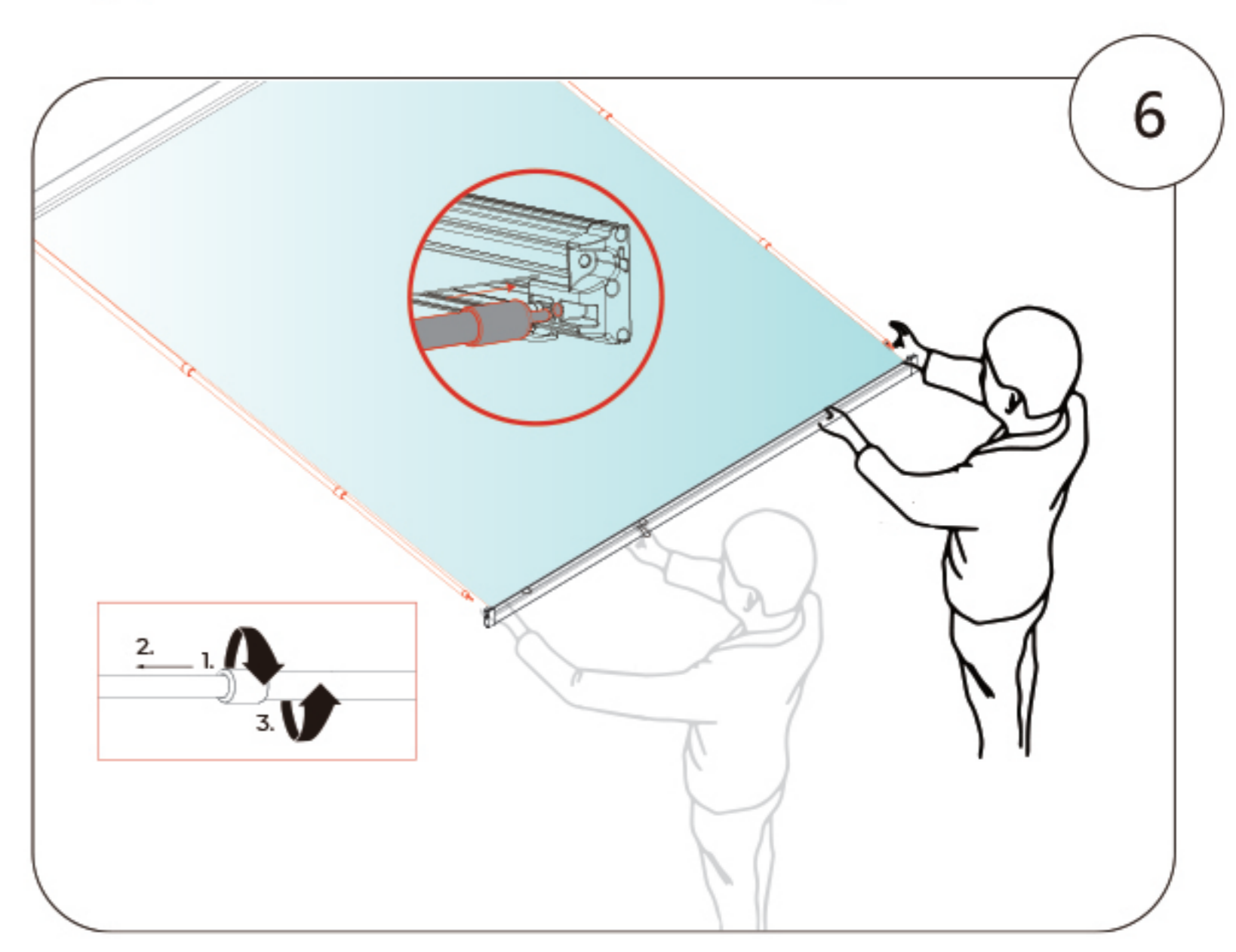
4. Please extend your two arms completely



5. Continue to pull out awning to fully open and pull to lock fabric.



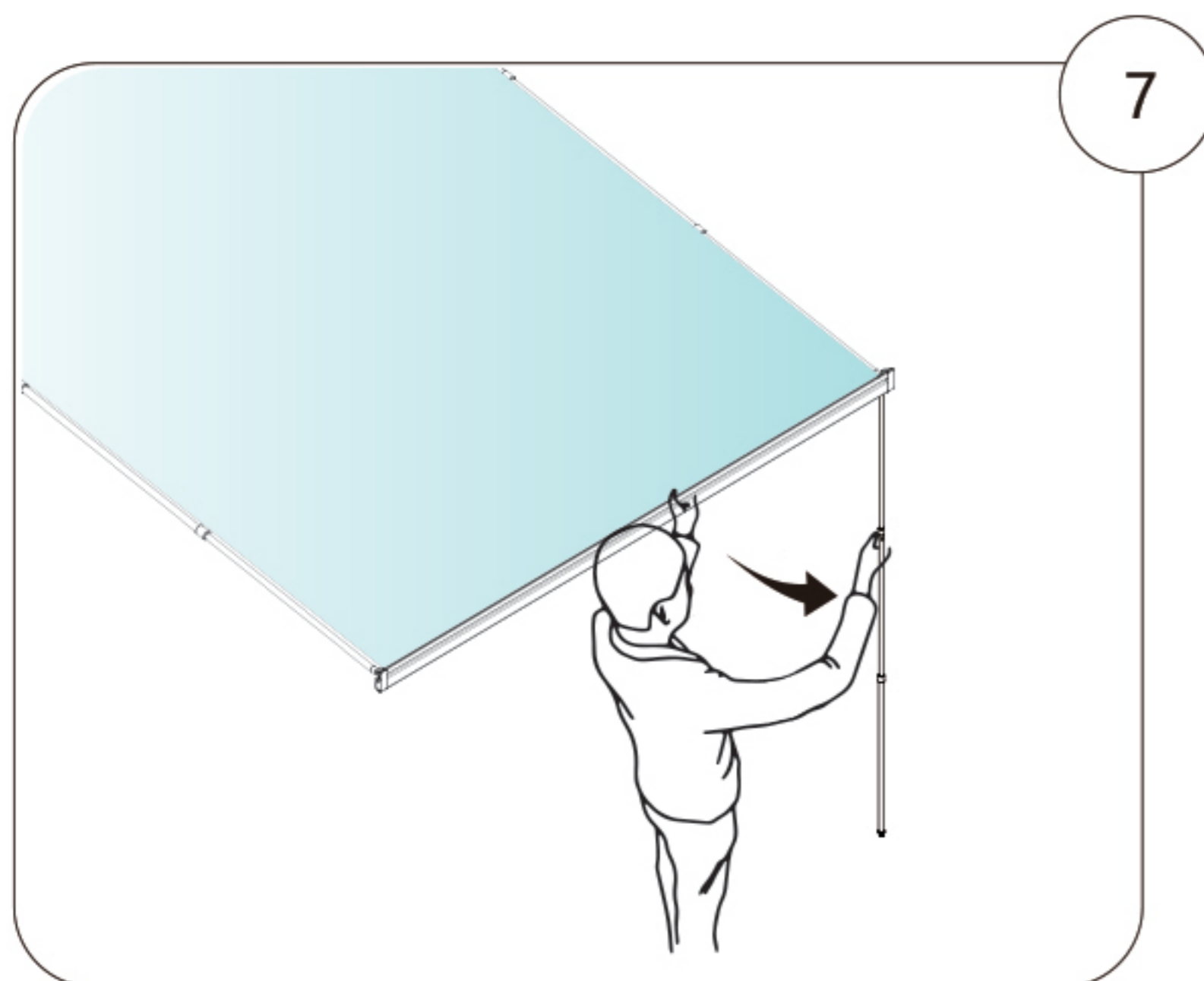
6. Extend the arms on both sides to support the front bar and tighten the arms.



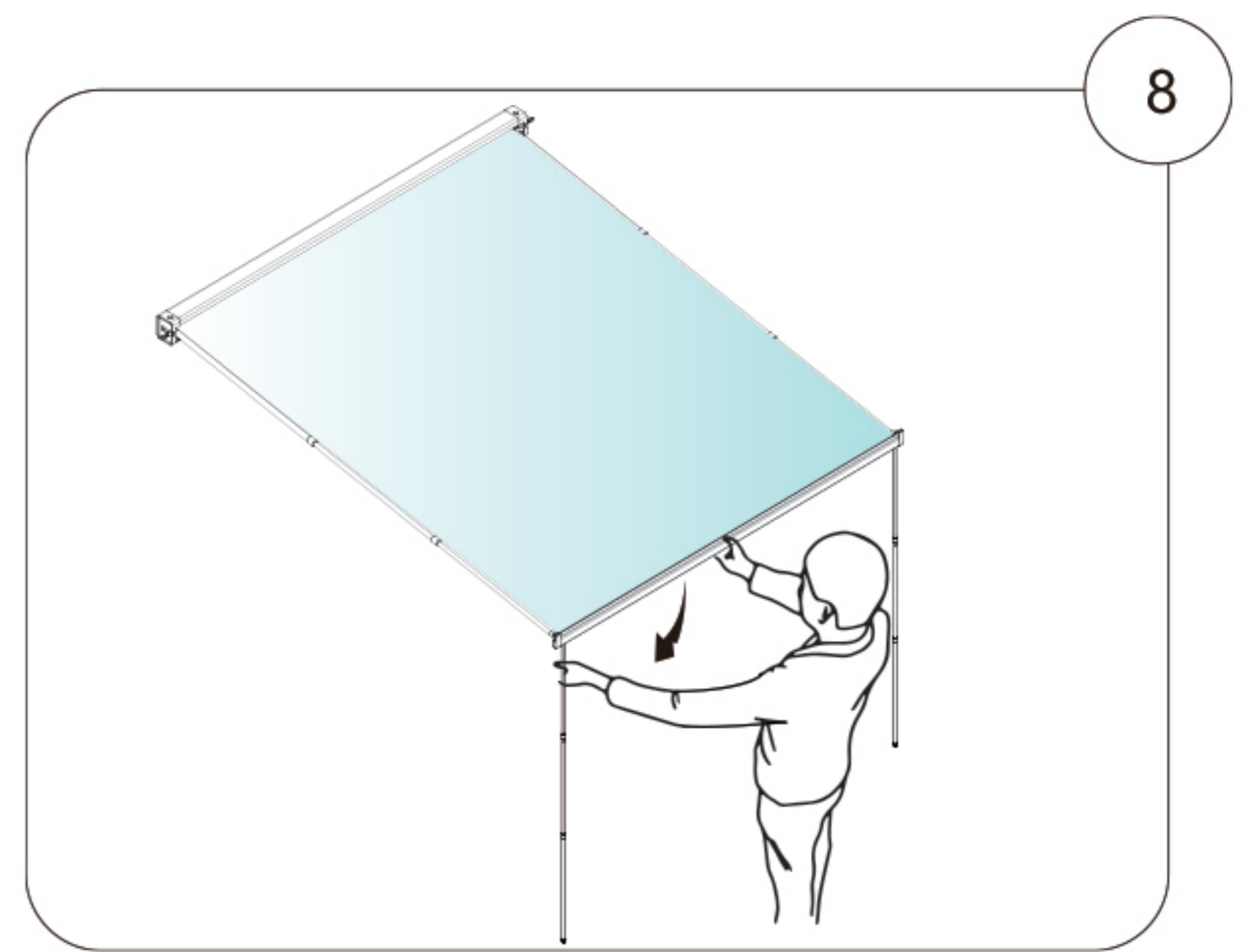
## **⚠ PRECAUTIONS**

The arm must support the front rod to prevent damage to the corner accessories of the pole.

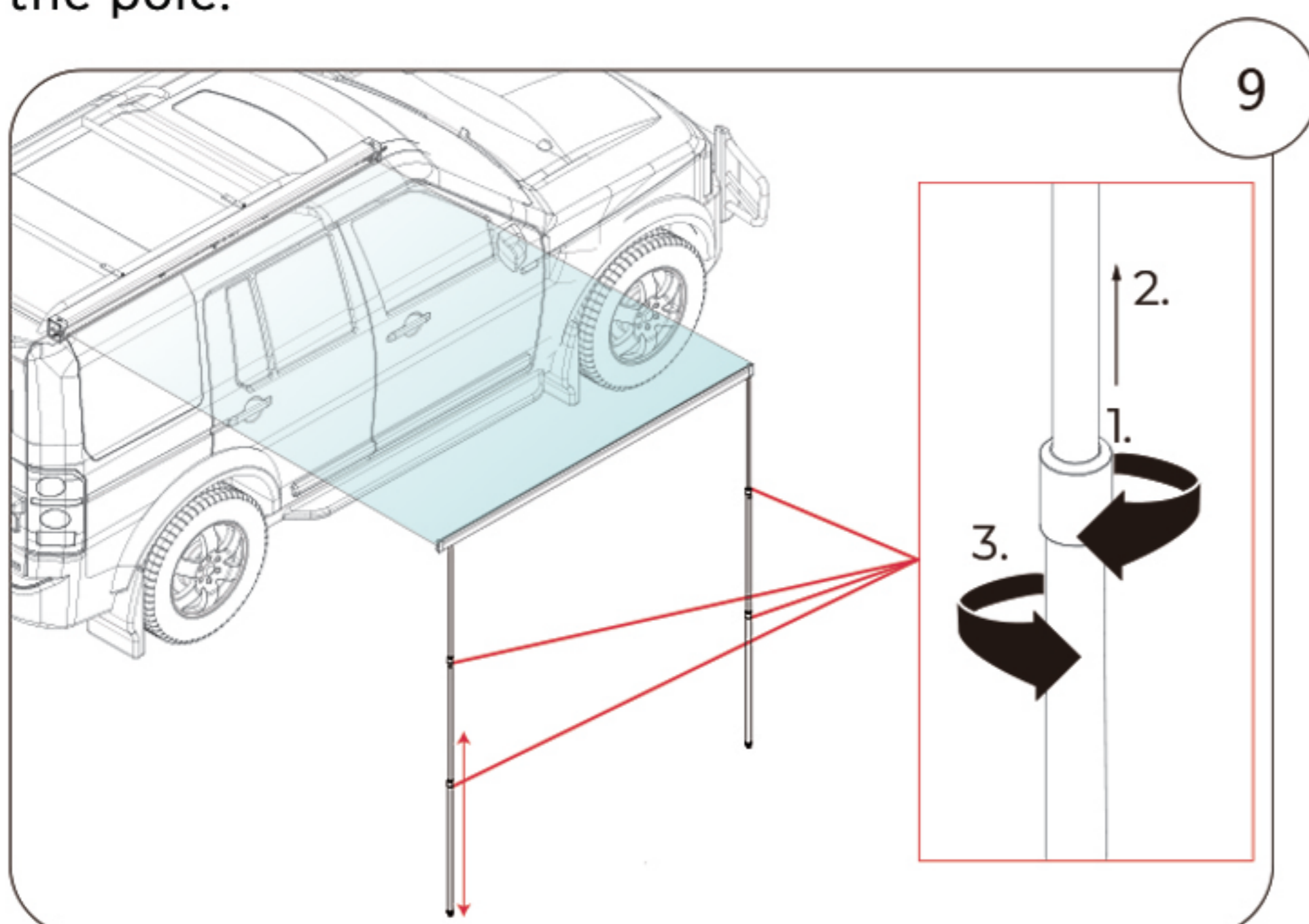
7. Take out the pole on the right side of front bar and support it on the ground.



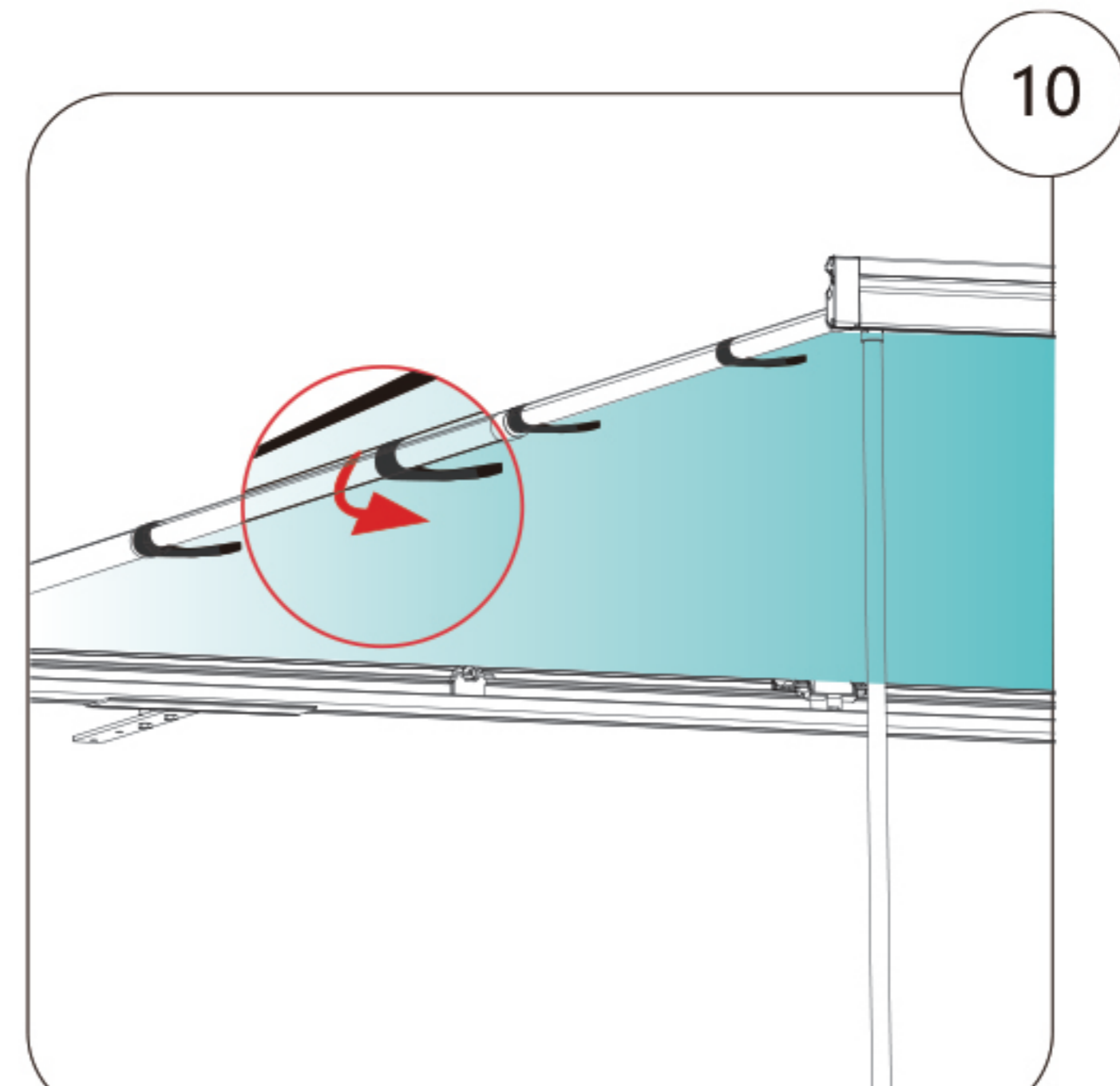
8. Take out the pole on the left side of front bar and support it on the ground.



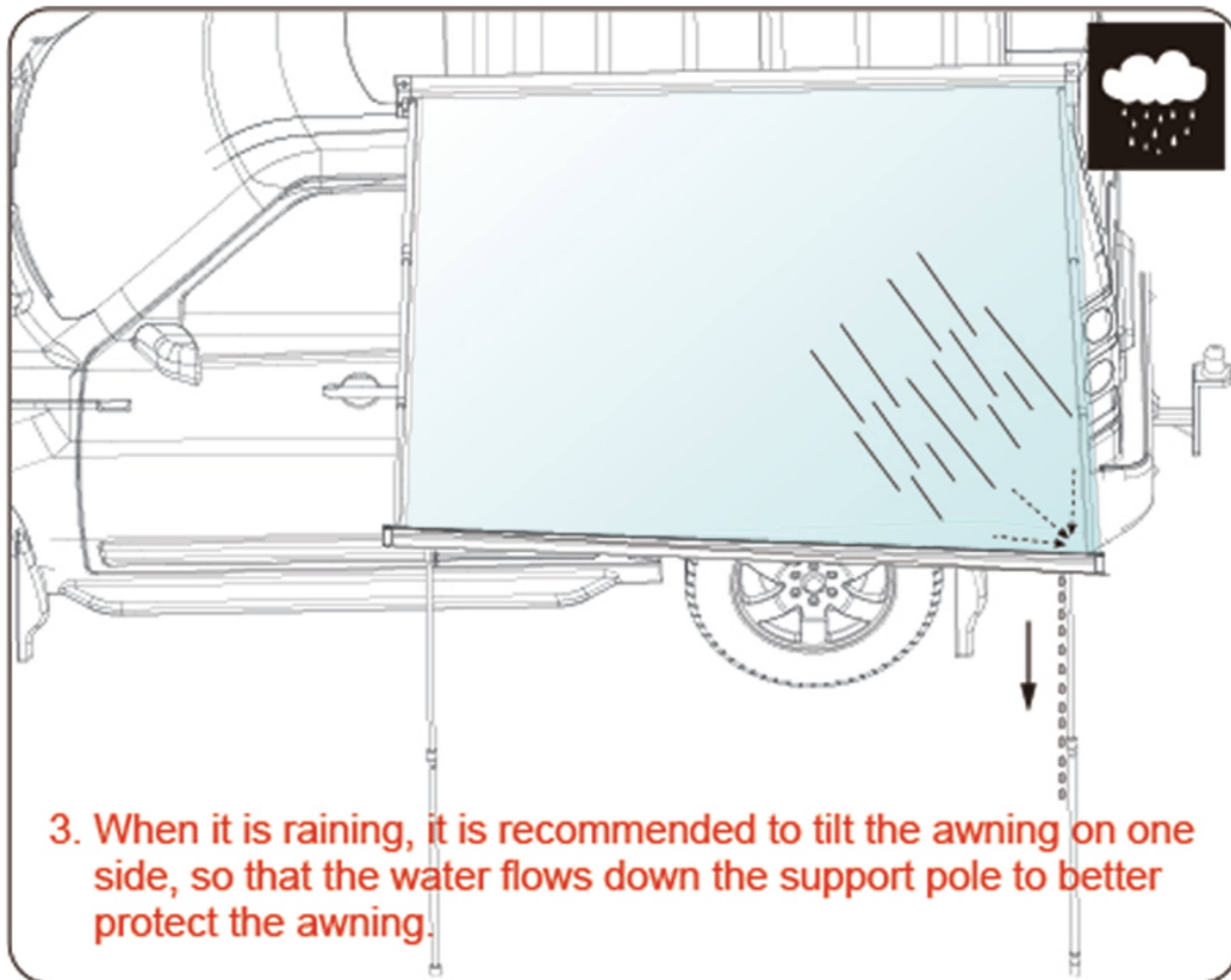
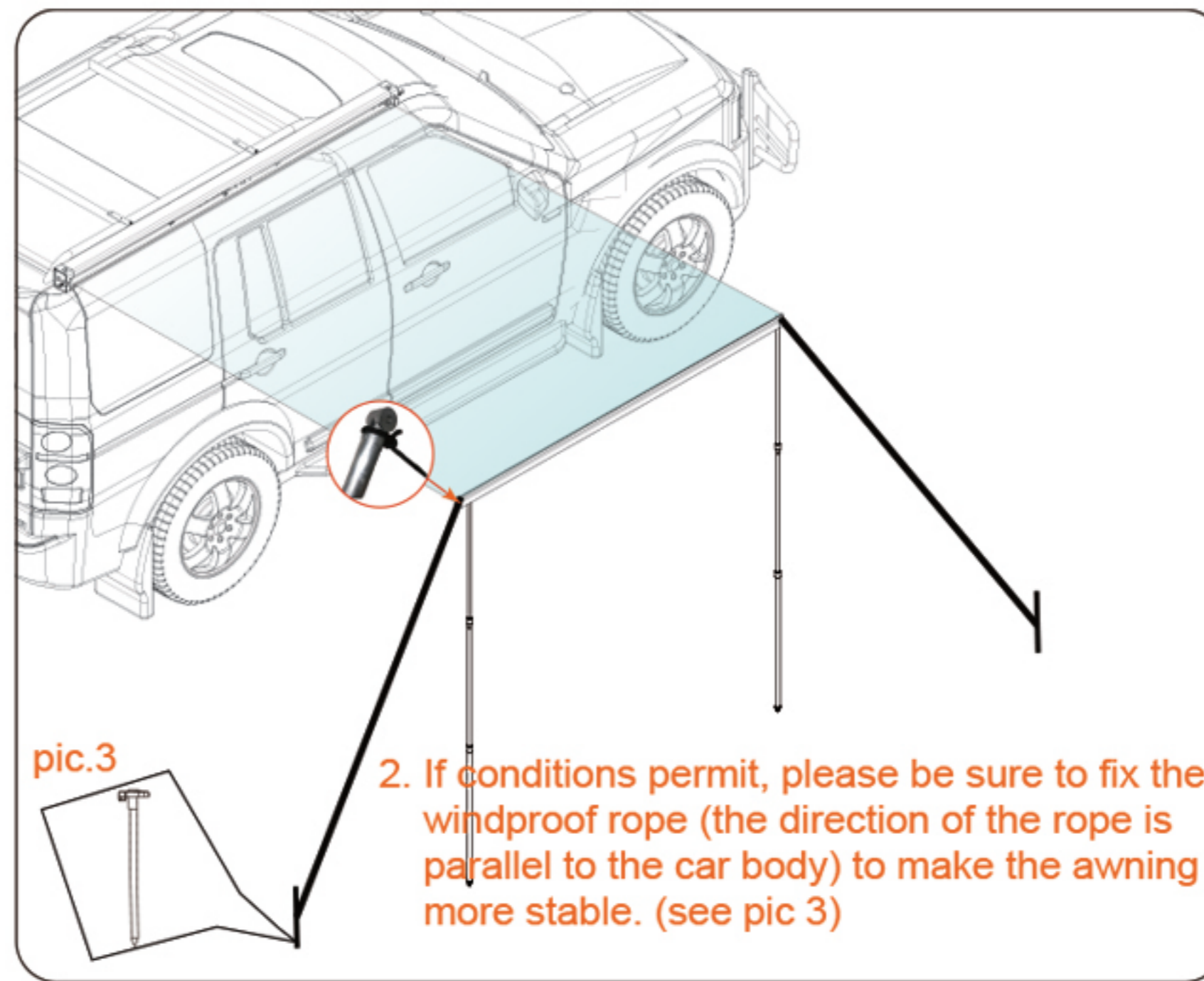
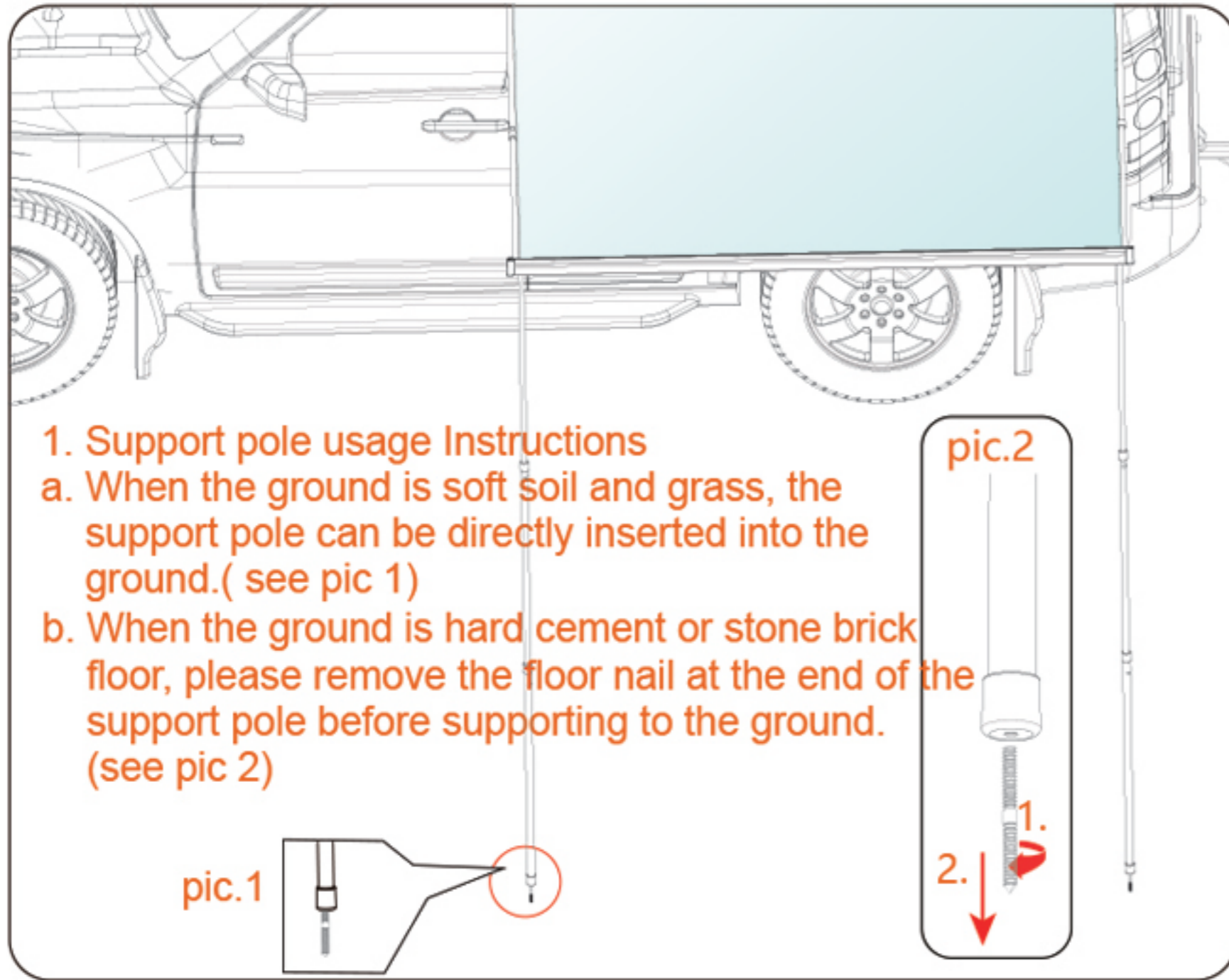
9. Adjust the support height by rotating the pole.



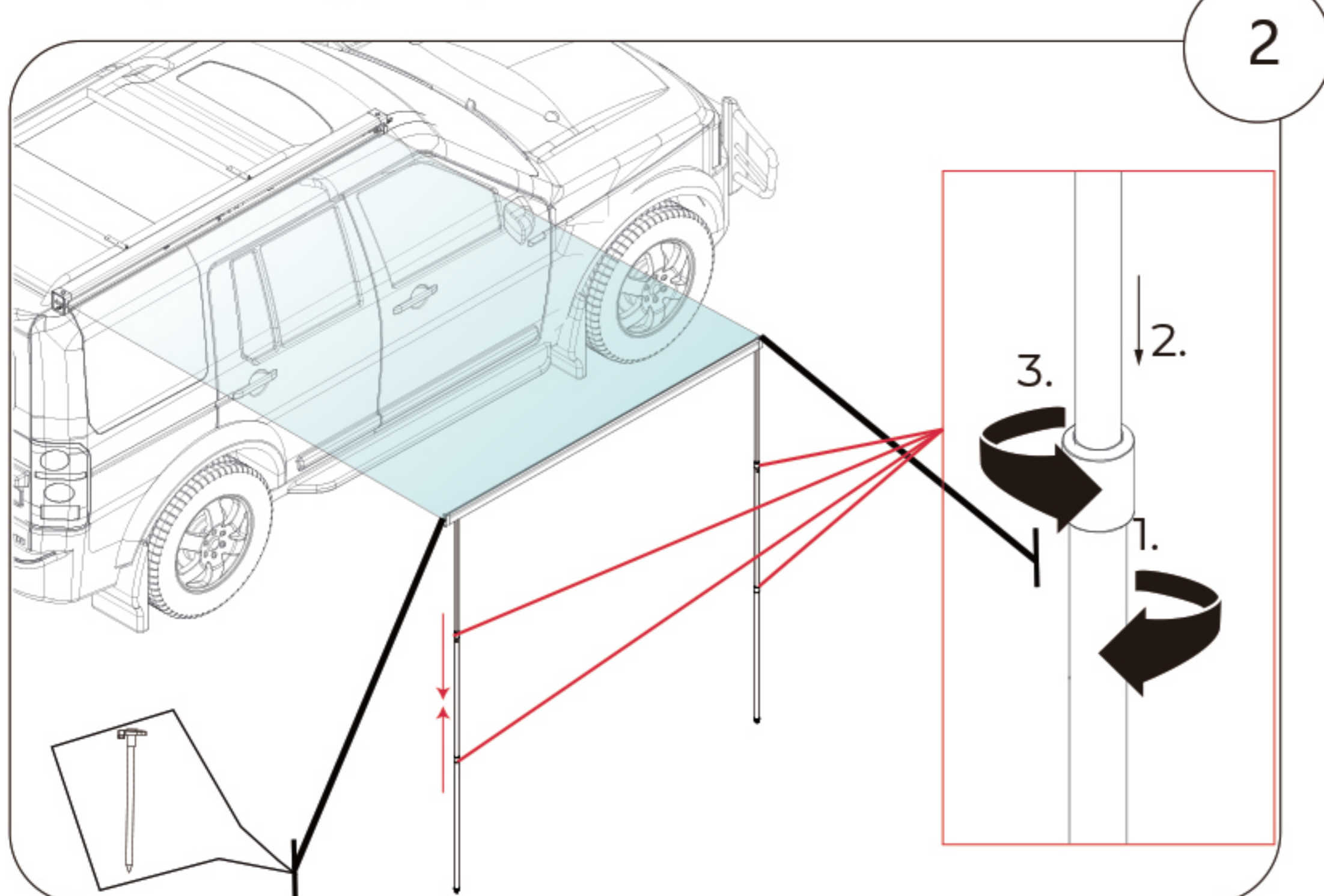
10. Secure the fabric to arm by velcro



## ⚠ USAGE PRECAUTIONS

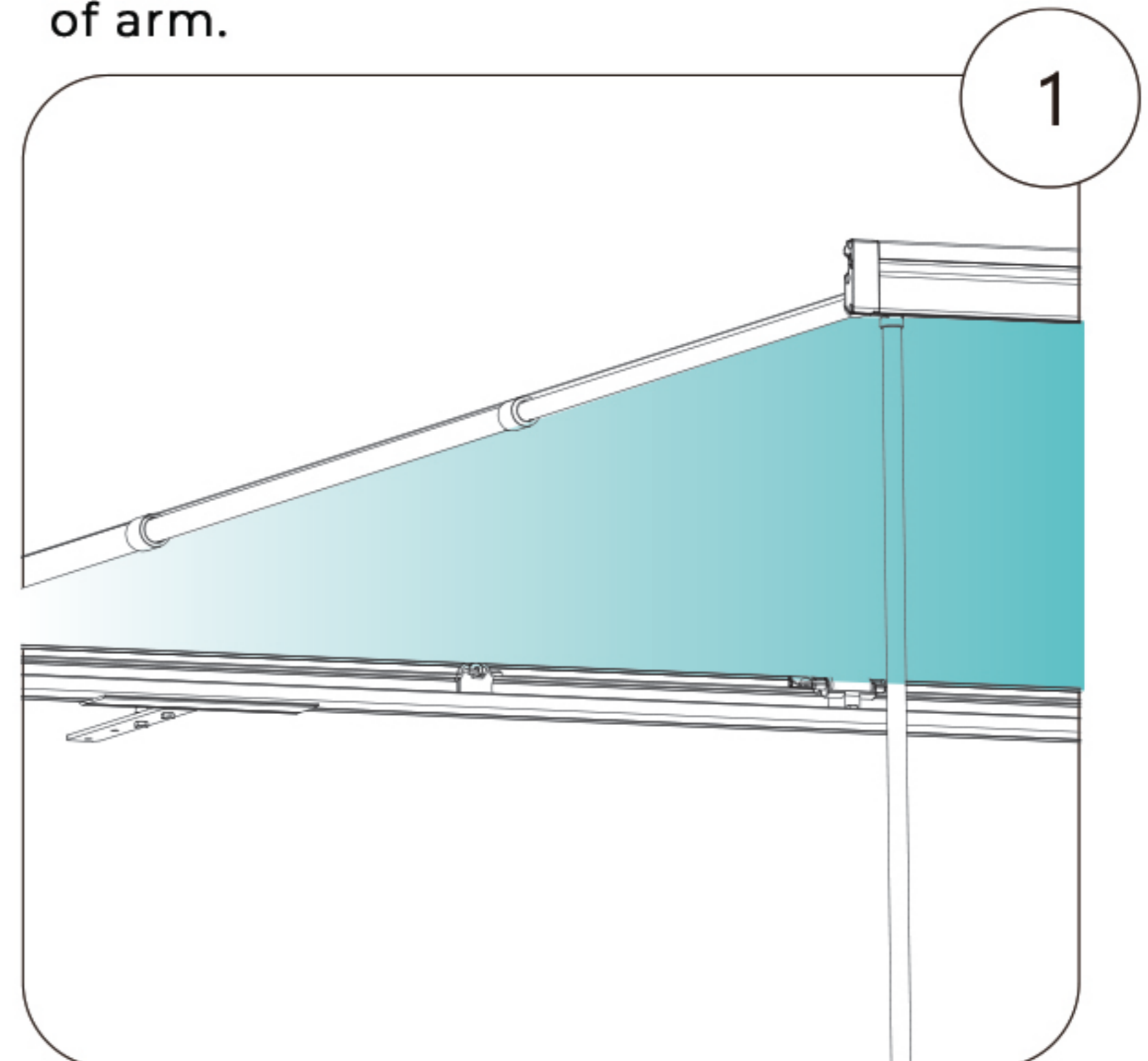


2. Take out pegs, loosen the wind proof rope, and fold up the support pole.

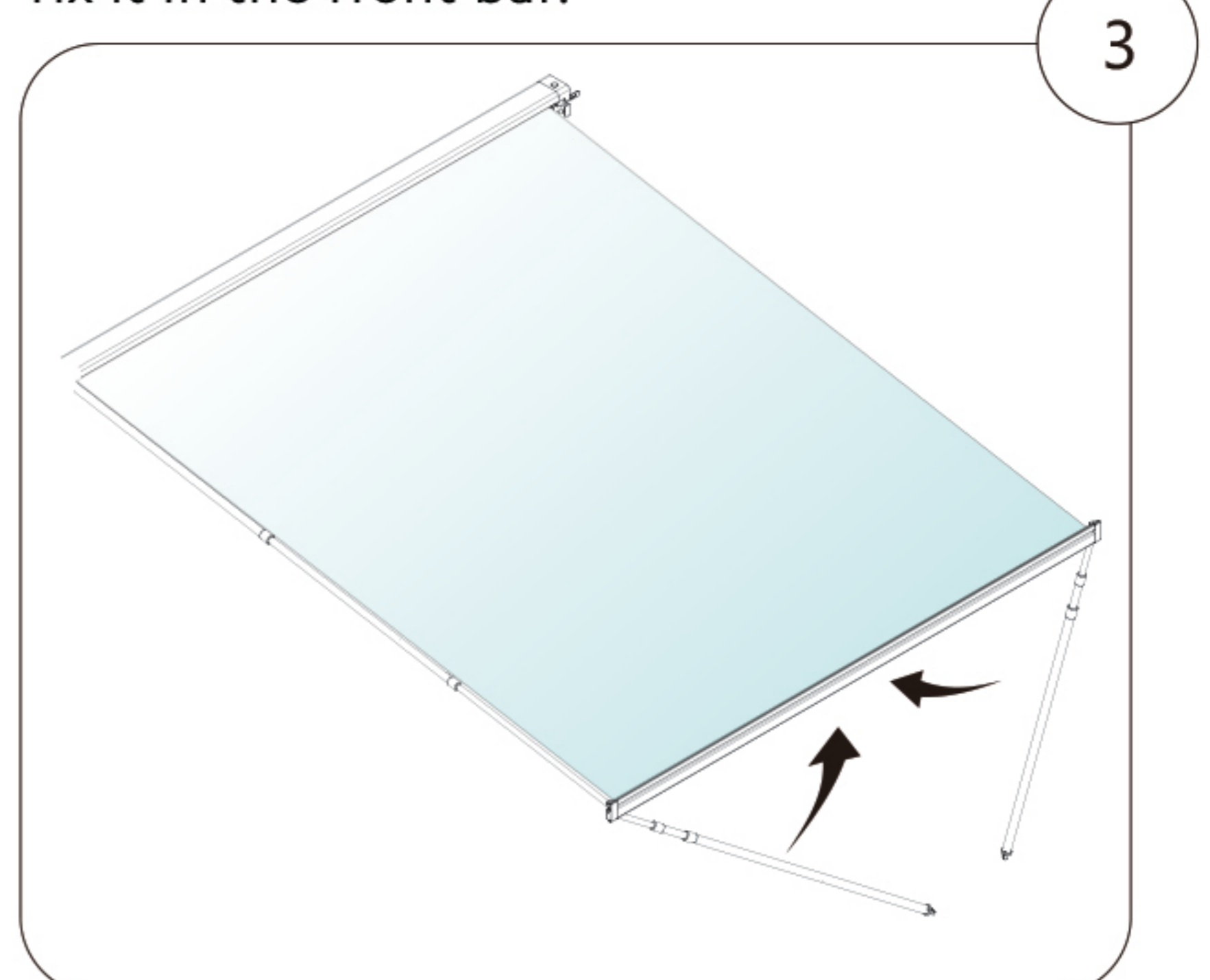


## CLOSING INSTRUCTIONS

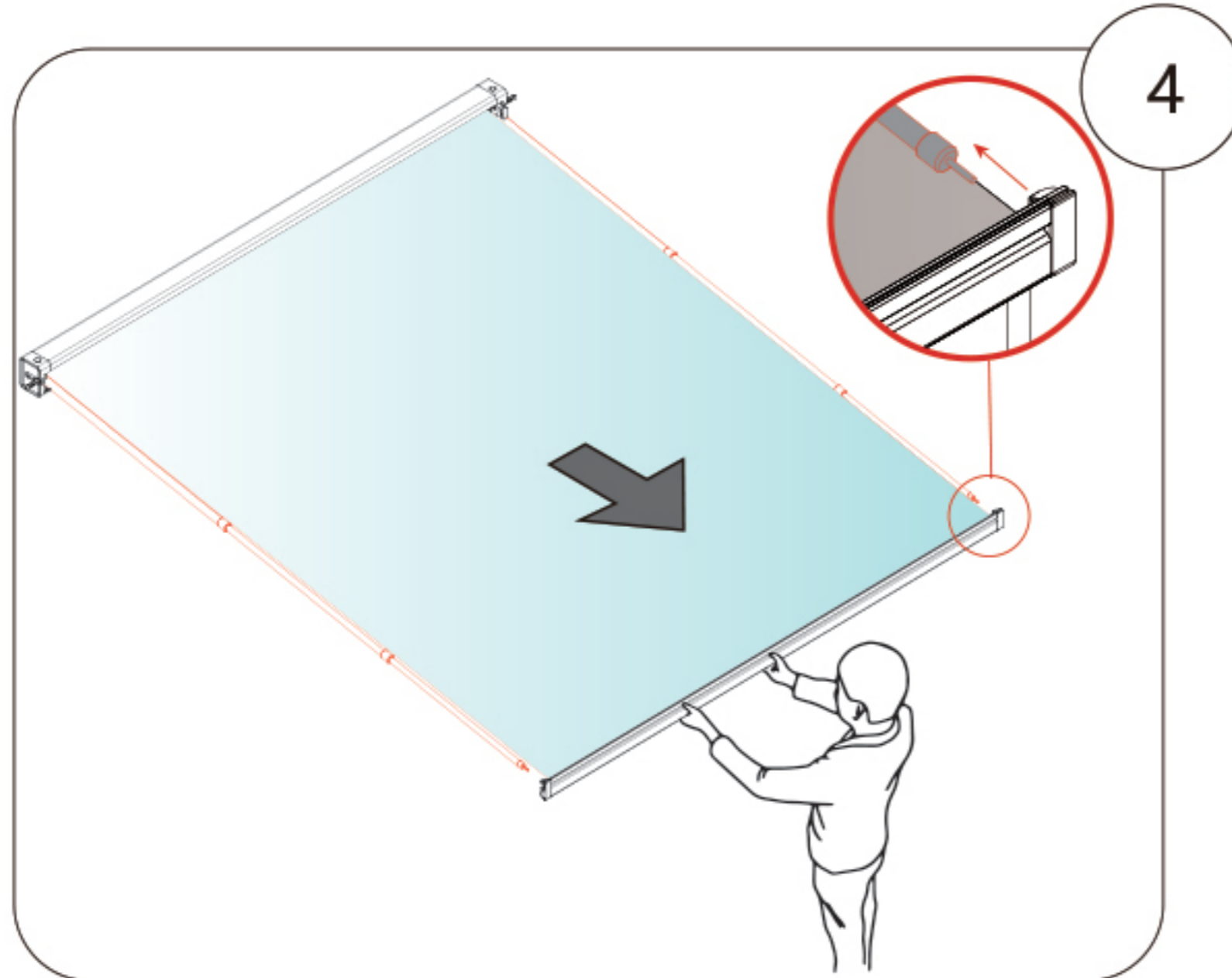
1. Release the Velcro on both sides of arm.



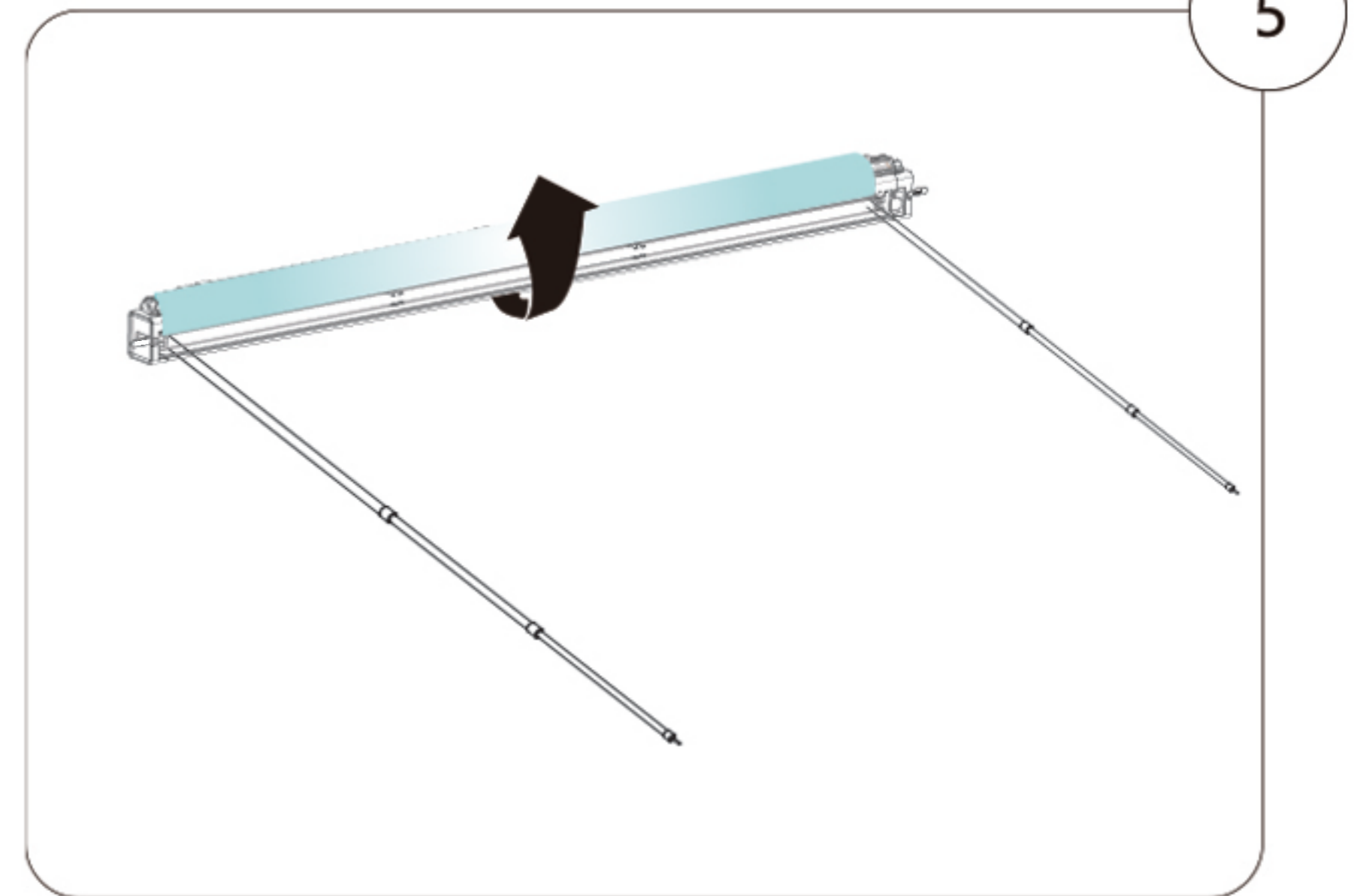
3. Put the folded pole into front bar and fix it in the front bar.



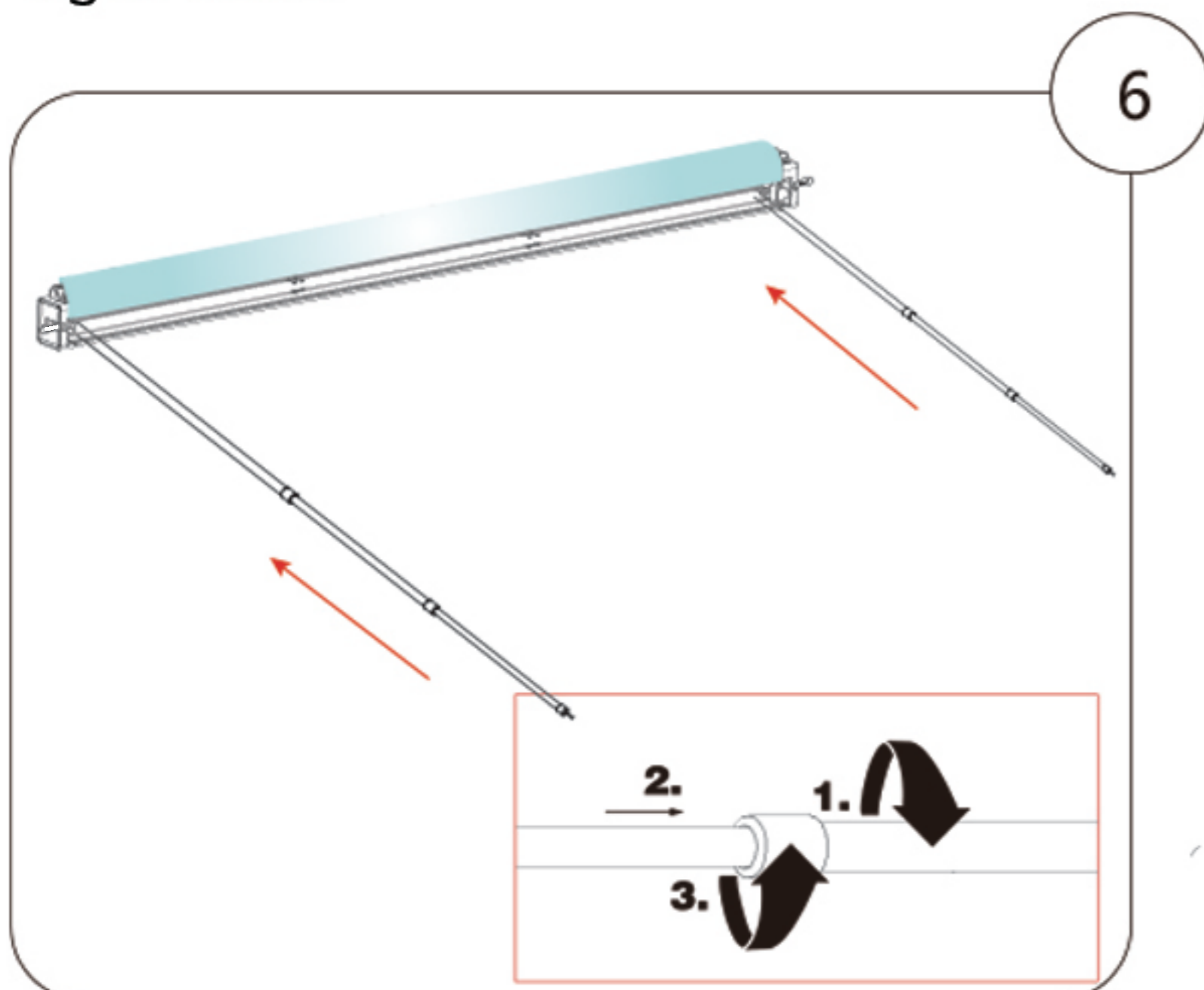
4. Pull the front bar to release the arms and the spring is automatically unlocked, the fabric will retract automatically



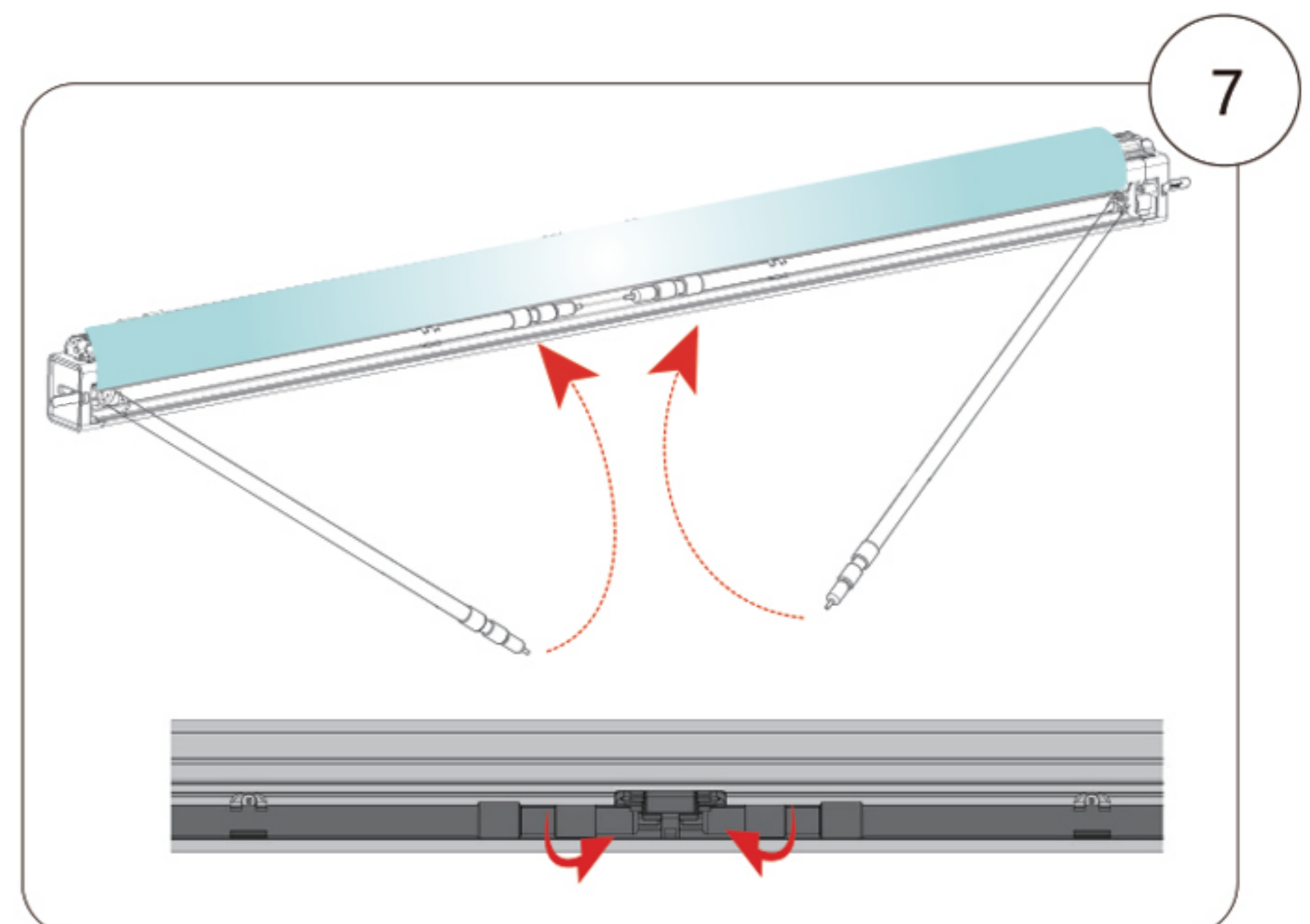
5. When the Fabric automatically retracts to the appropriate position 20 - 30 cm, gently pull the front bar to lock the fabric automatically, placed front bar on the top shell.



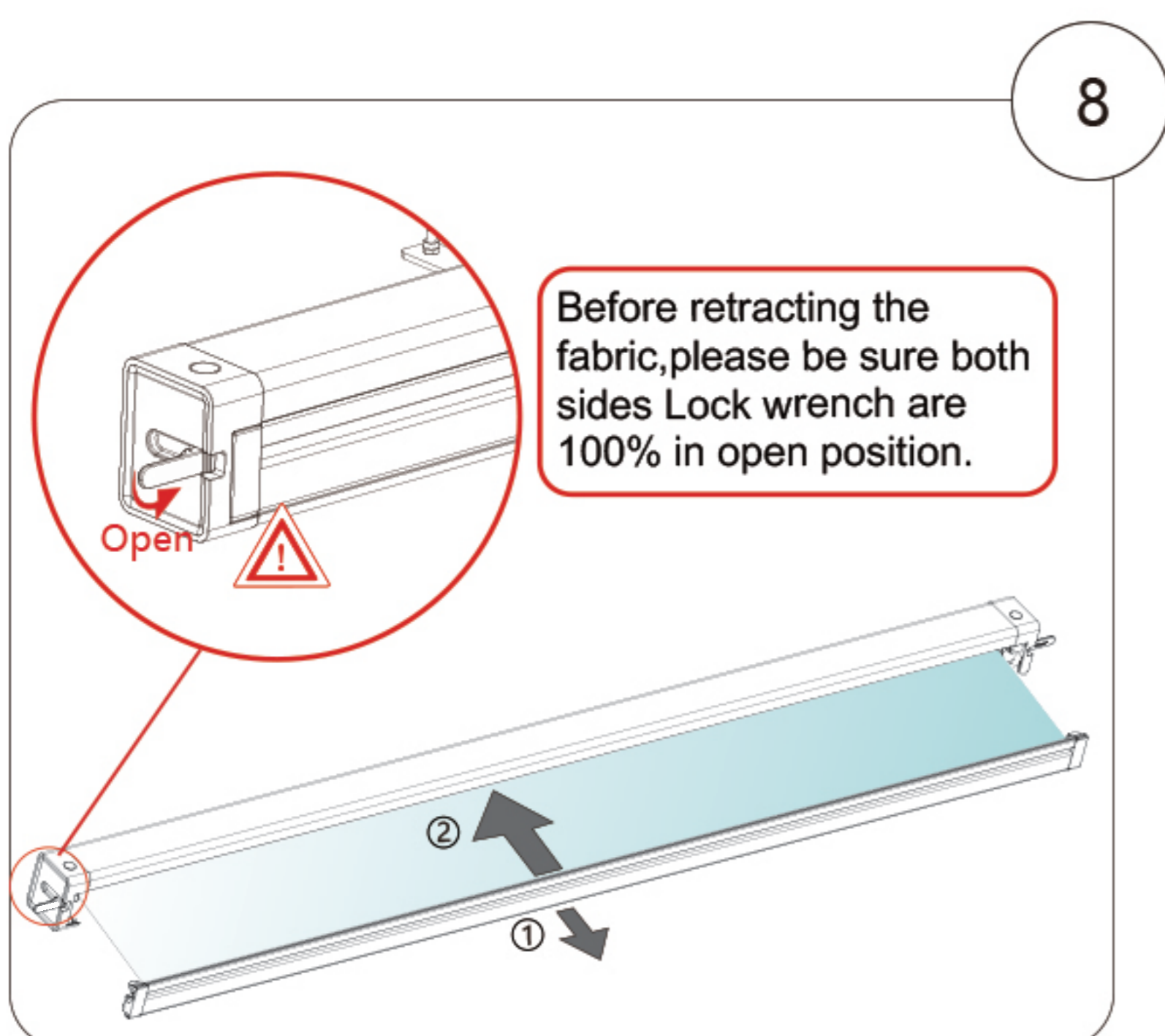
6. Rotate the pole and fold the left and right arms.



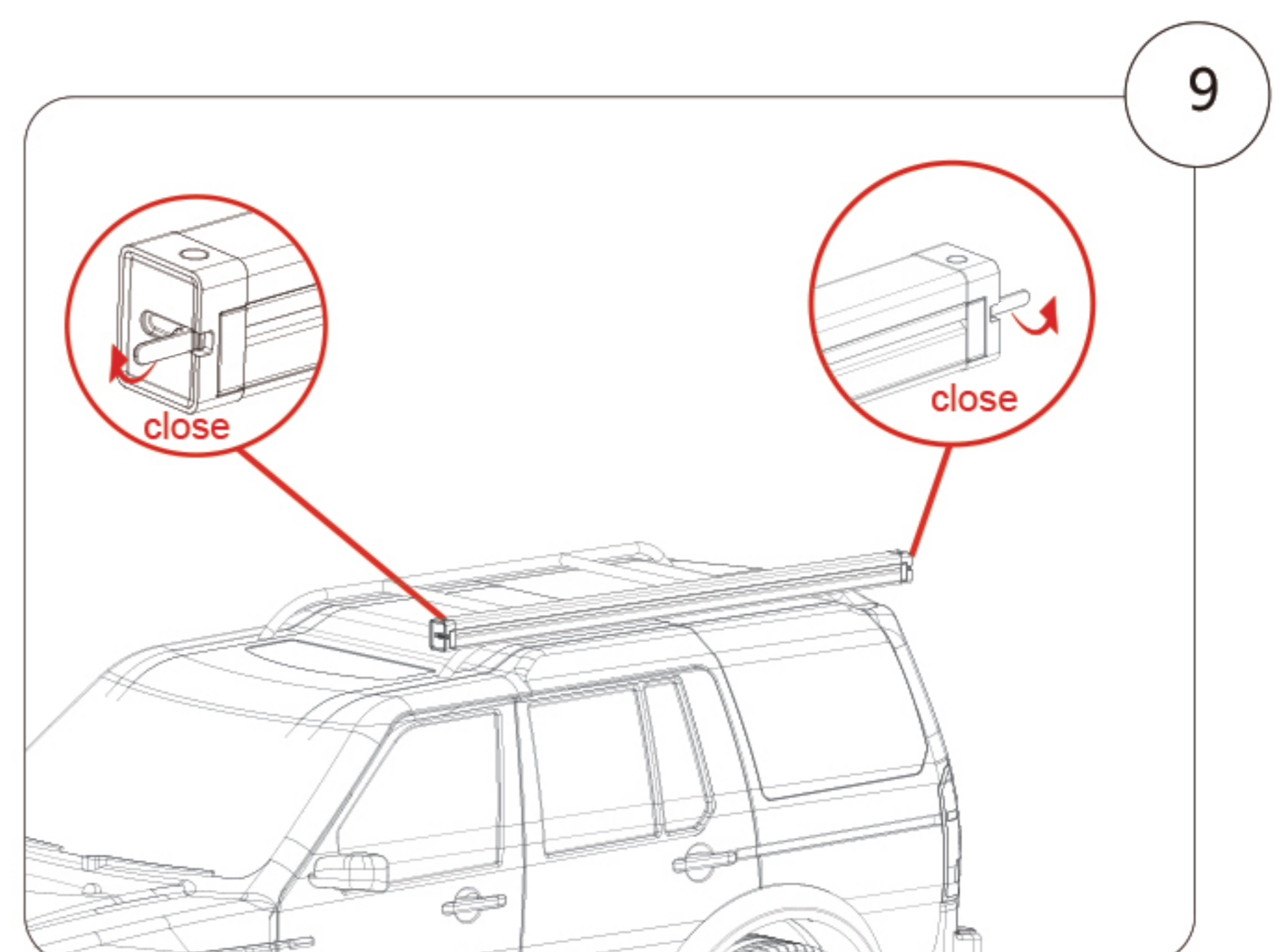
7. Place your left and right arms inside the awning shell.



8. Gently pull the front bar again to unlock the fabric and make the fabric rewind completely.

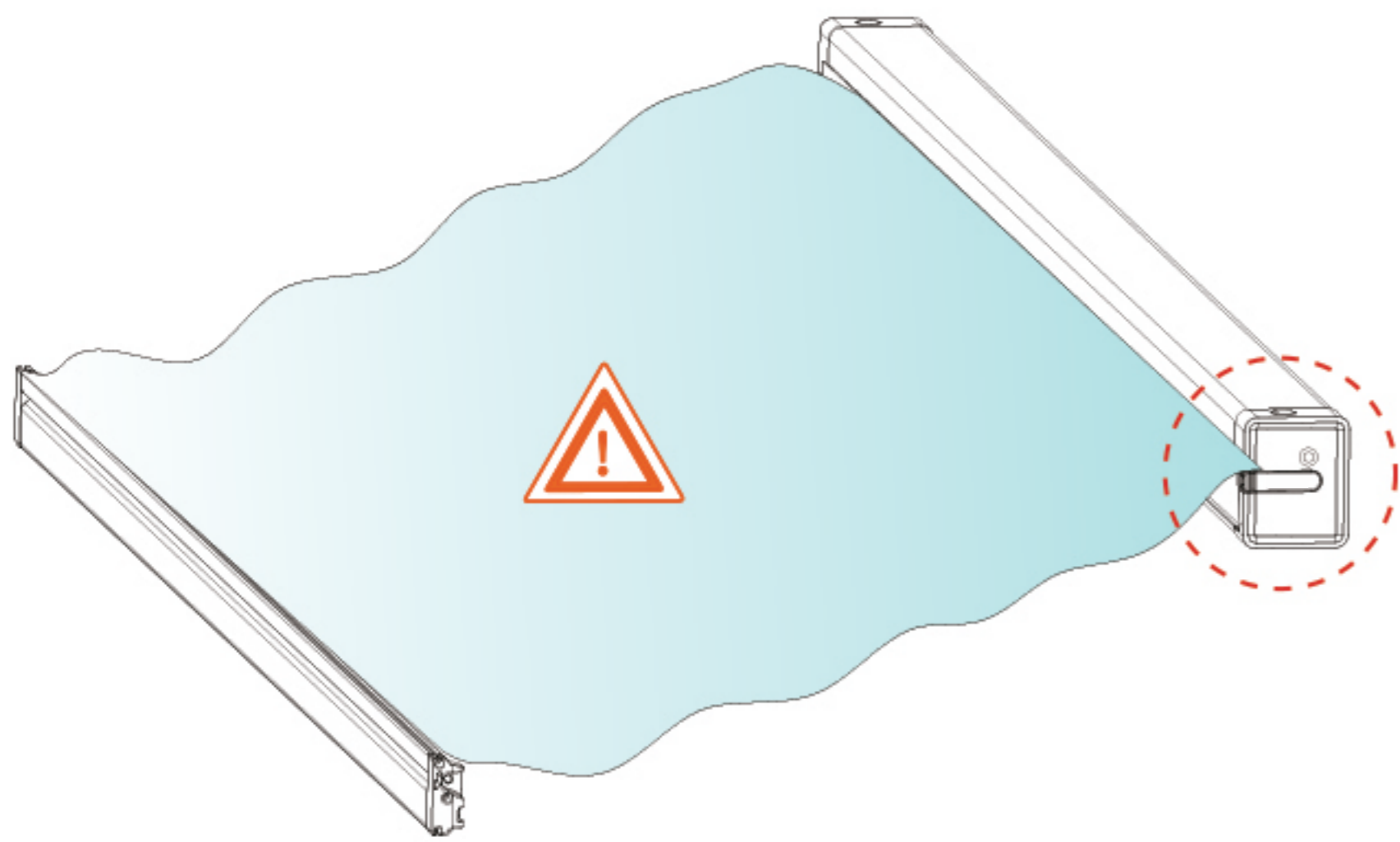
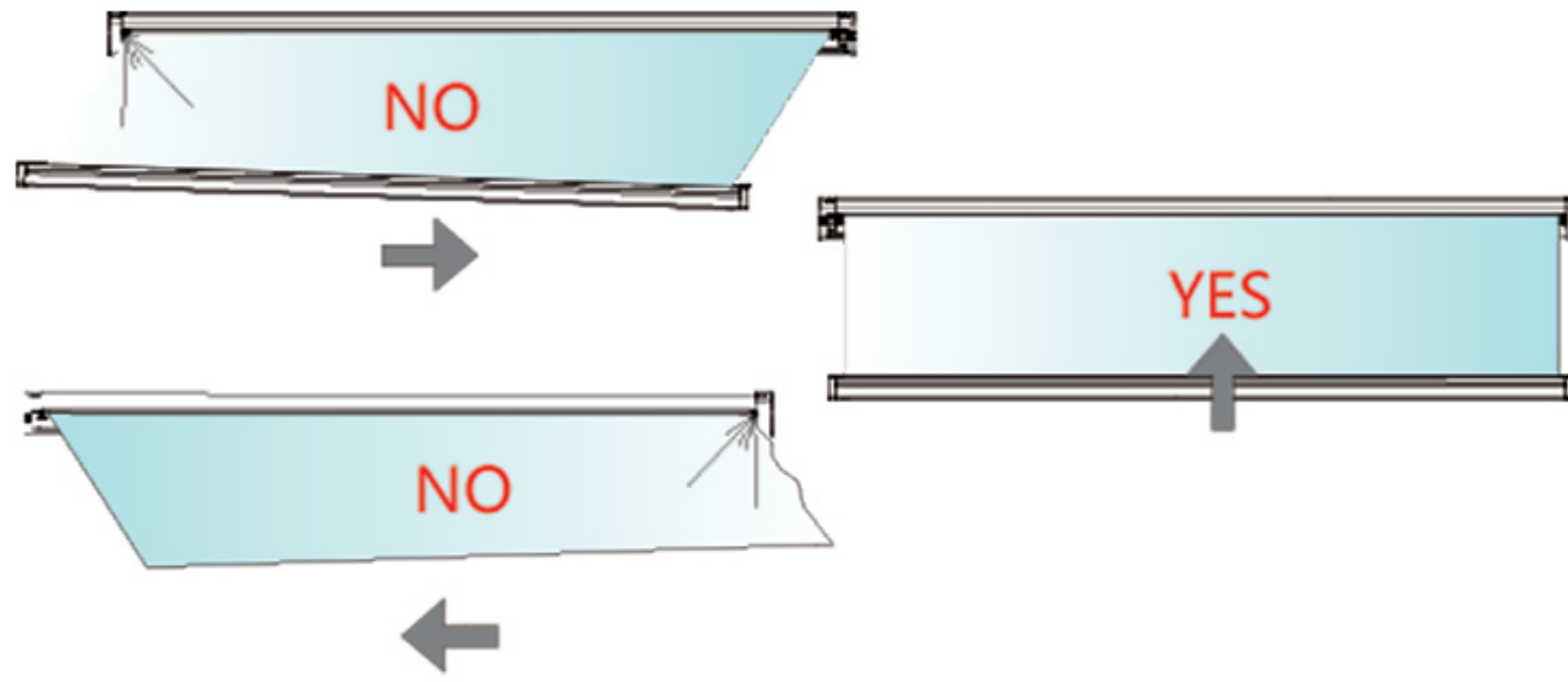


9. Lock the wrenches on the left and right ends of awning to lock front bar.



## ⚠️ ATTENTION

When CLOSING the awning, please keep the fabric flat and the front rod horizontal. Otherwise, fabric will stuck and get wrinkles.



## ⚠️ TROUBLE SHOOTING

All awnings will be strictly tested before leaving the factory, but in the long-term use process, the torsion spring may fail and the fabric cannot be automatically rolled back. For driving safety, please follow the steps below to roll back the fabric urgently, and when the car returns to a safe place, please contact the manufacturer to purchase accessories to replace the spring system.

### Method 1

Please manually rotate the winding pipe to make the fabric recover in accordance with the winding direction of the fabric (as shown in Picture 4).



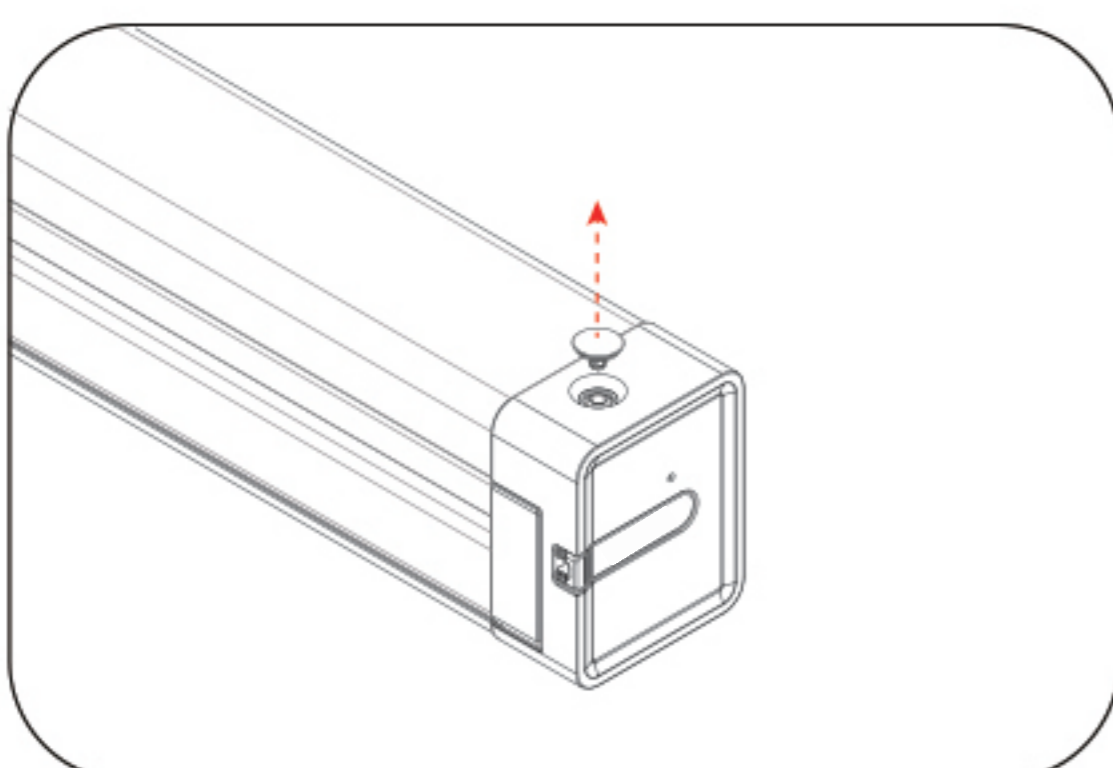
Pic 4

Fabric winding direction as Pic. shown!

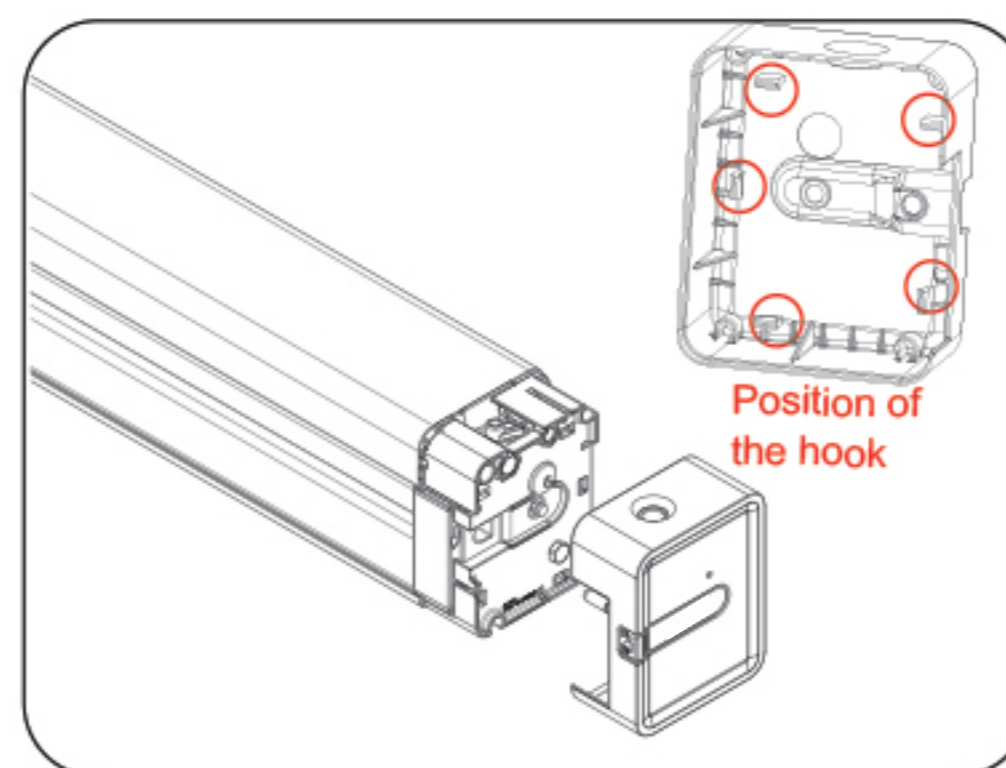


### Method 2

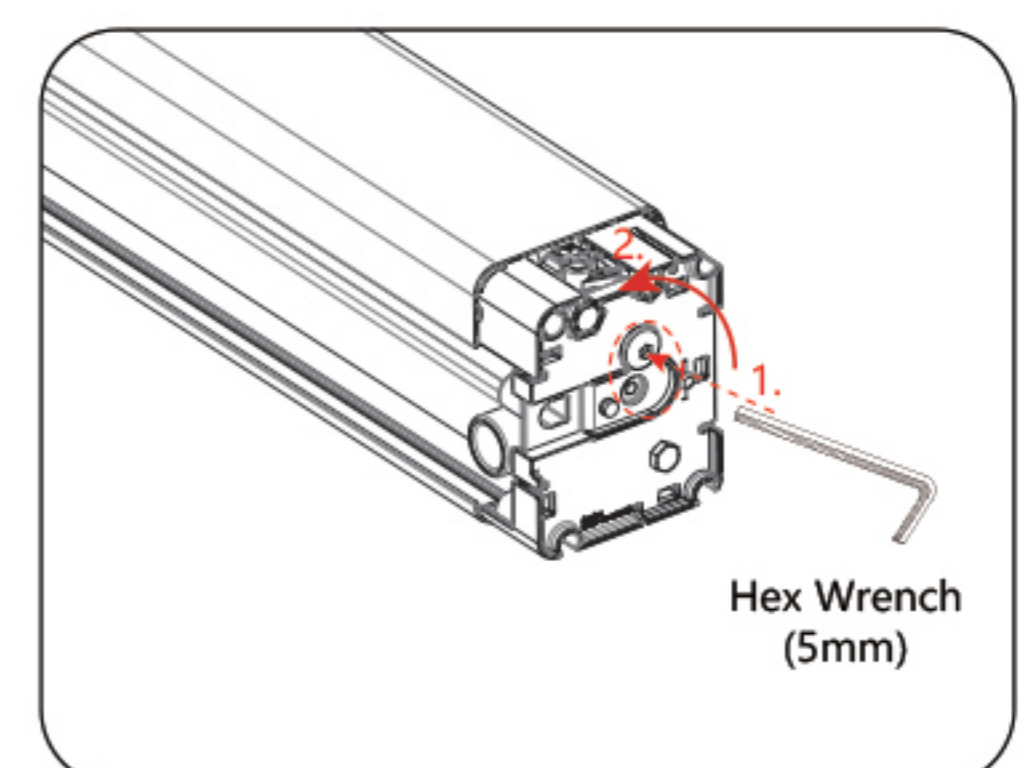
1. Remove the lock cover (Pic 5)
2. Pull the hook of the decorative cover and remove it. (Pic 6)
3. Please use a hex wrench to manually adjust the inner bolt in a counterclockwise direction in the figure until the fabric is roll up.(Pic 7)



Pic 5



Pic 6



Pic 7



Outback Equipment (AUST) Pty Ltd,  
Email: [Service@outbackequipment.com.au](mailto:Service@outbackequipment.com.au)  
Phone: 1300 854 185,  
Website: [www.outbackequipment.com.au](http://www.outbackequipment.com.au)