



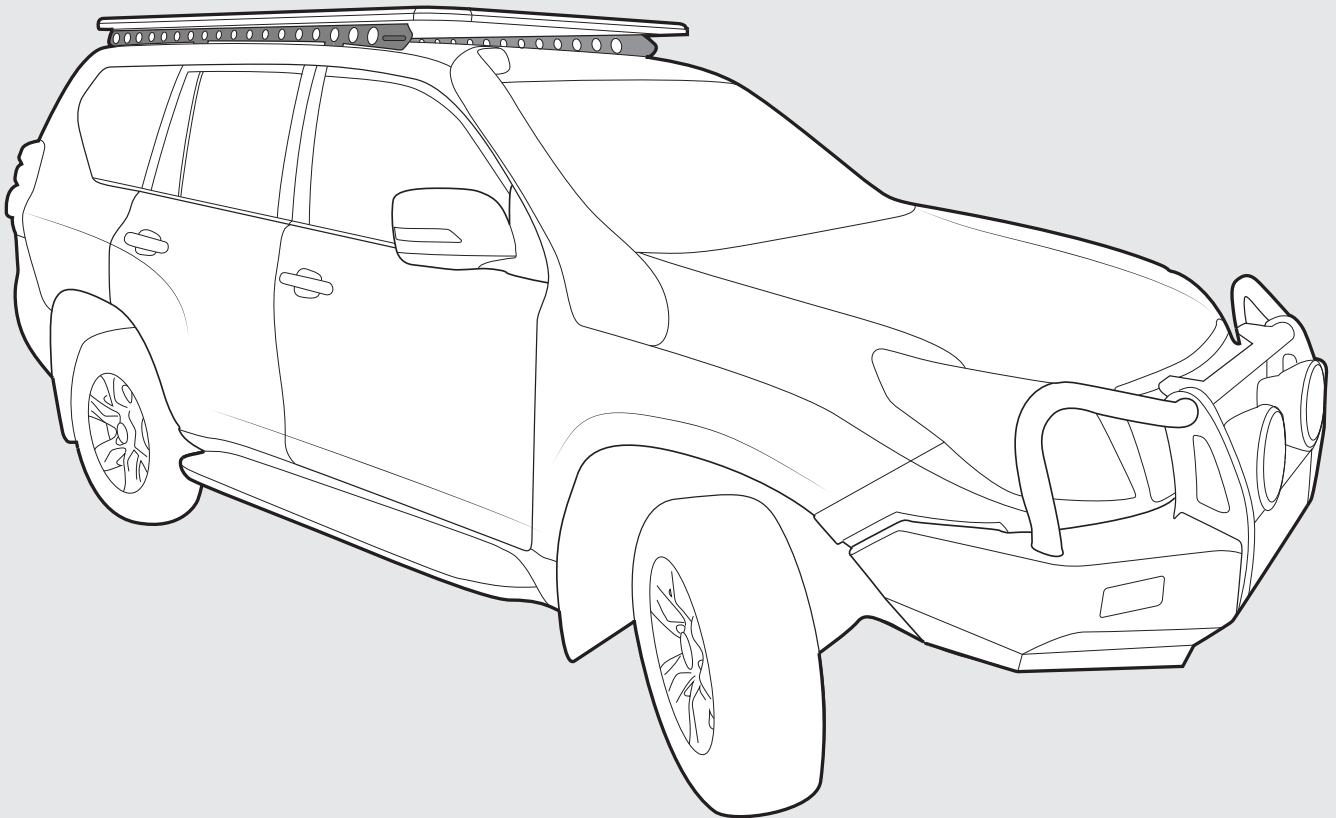
RHINO-RACK®

TOYOTA Prado 150 Series / LEXUS GX460 Backbone RTPB1

Important:

1. Check the Rhino-Rack website to ensure you have the latest issue of these instructions.
2. Please refer to your fitting instruction to ensure that the roof racks are installed in the correct locations.
3. Check the contents of kit before commencing fitment and report any discrepancies.
4. Place these instructions in the vehicle's glove box after installation is complete.
5. These instructions must be followed for warranty to be upheld.

Fit Time: 1.5 hours



Rhino-Rack AUSTRALIA
22A Hanson Pl,
Eastern Creek, NSW, 2766
(02) 8846 1900
rhinorack.com.au

Rhino-Rack USA
Unit D, 2450 Airport Blvd,
Aurora, CO, 80011
877-744-6622
rhinorack.com

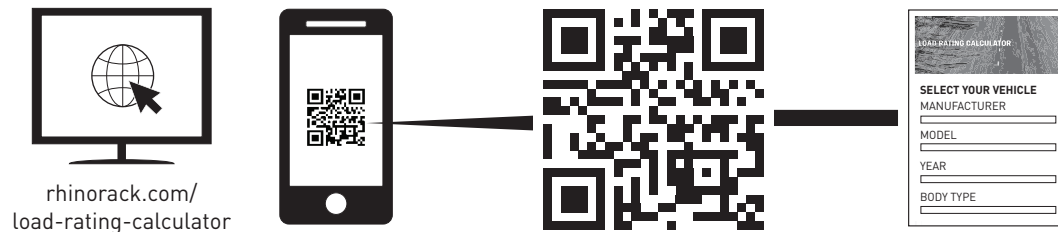
Rhino-Rack CANADA
19100 Airport Way
Pitt Meadows, BC V3Y 0E2
rhinorack.ca

Document No: R748
Issue No: 09
Issue Date: 24/08/2021

RTPB1 Backbone Instructions

Carrying Capacity

Check the website and the vehicle owners hand book for your vehicle manufacturer's maximum carrying capacity. Load must be evenly distributed over the system.



Cargo Load Limit

Total permissible weight allowed on top, and attached to roof racks whilst the vehicle is in motion.



System Weight

Total weight of the roof rack system. (Crossbars, Backbone, Platform)



Max System Load Capacity

Please ensure you use the vehicle manufacturer's maximum roof allowance if it is lower than the figure listed in the fitting chart.



Vehicle Manufacturer's Load Limit

Total permissible weight attached to the roof of the car. This is inclusive of the weight of the roof rack system.

Warning

- Check part number or kit is correct for use with your vehicle.
- Do not attempt to fit the rack system to your vehicle unless you fully understand these fitting instructions. Please direct any questions regarding fitting to the dealer from where the roof racks were purchased.
- Off-road conditions can be much more rigorous. Extreme care must be taken on any driven path that does not contain a surface protection layer (tar/bitumen).
- For safety reasons we recommend you exercise extreme care when transporting wind-resistant loads. Special consideration must be taken into account when cornering and braking.
- Roof racks must be removed when vehicle is put through an automatic car wash.
- With utility vehicles, the cabin and the canopy move independently. Roof racks and vehicle can be damaged if the item transported is rigidly fixed at points on both the cabin and canopy. Instead, rigidly fix to either the cabin roof racks or the canopy roof racks.
- Always ensure you fasten your load securely.
- Use only non-stretch fastening ropes or straps to attach cargo to your load.

In service maintenance checks

- All bolt connections should be checked after driving a short distance when you first install your roof racks.
- All bolted connections should be checked again at regular intervals (weekly is recommended, depending on road conditions, usage, loads and distances travelled).
- All bolted connections should be checked each time they are re-fitted.
- Off-road conditions are more rigorous. Check all bolted connections and your load more regularly.
- Ensure that your vehicle manufacturer's GVM, and gross axle weights are not exceeded (refer to vehicle owner's manual).

Torque Settings

Unless stated otherwise in these instructions, all fasteners should be set to the following torque settings:

M6: 4-5Nm (3-4lbs/ft),

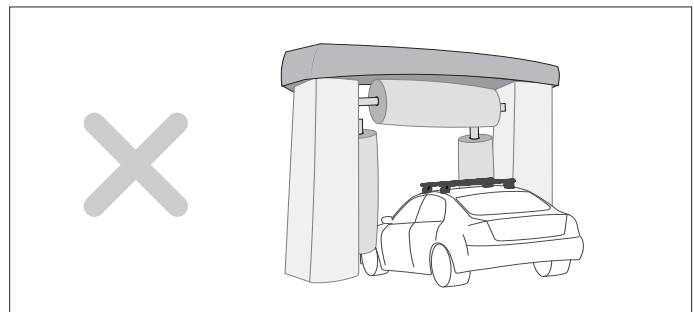
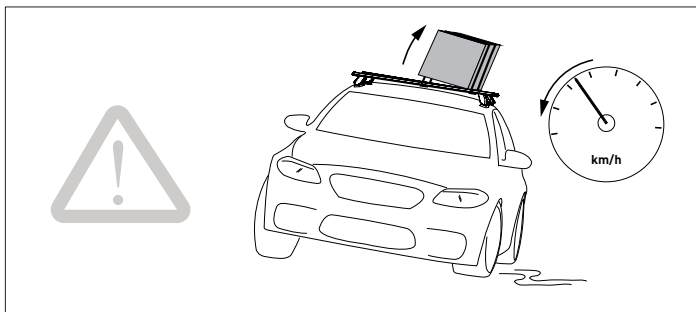
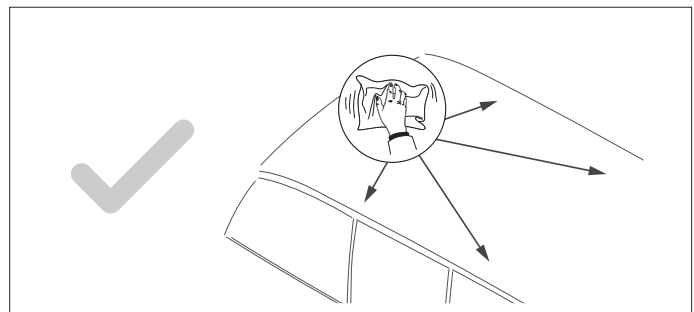
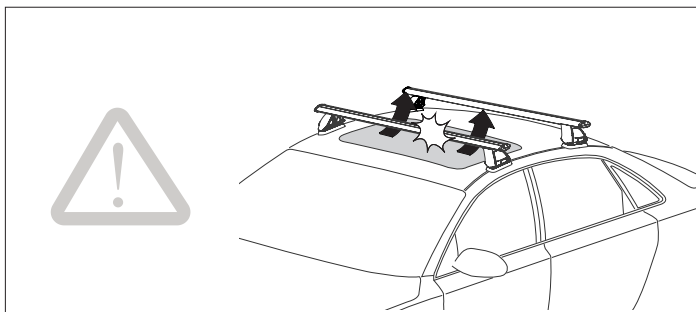
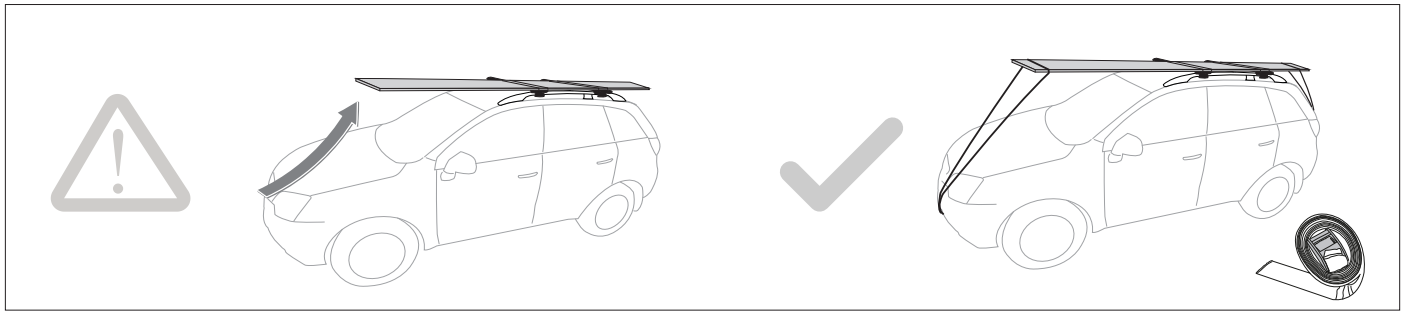
M8: 8-10Nm (6-7.5lbs/ft)

M10: 16-18Nm (12-13lbs/ft).

Note for Dealers and Fitters

It is your responsibility to ensure these fitting instructions are given to the end user or client. These instructions remain the property of Rhino-Rack Australia Pty. Ltd. and may not be used or changed for any other purpose than intended.

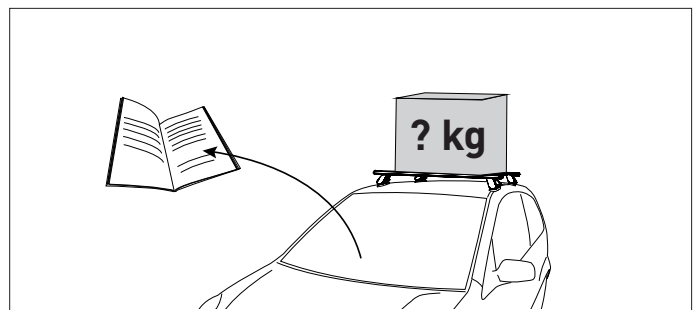
RTPB1 Backbone Instructions



The handling characteristics of the vehicle changes when a load is transported on the roof. Exercise extreme care when transporting wind-resistant loads. Special consideration must be taken when cornering and braking.

Off-road conditions can be much more rigorous. Extreme care must be taken in off-road conditions.

System Weight: 31kg - 39kg
 Refer to rhinorack.com/load-rating-calculator

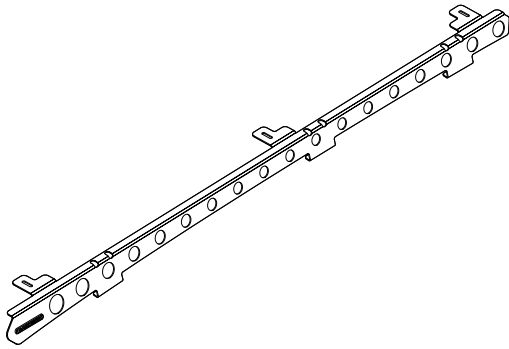
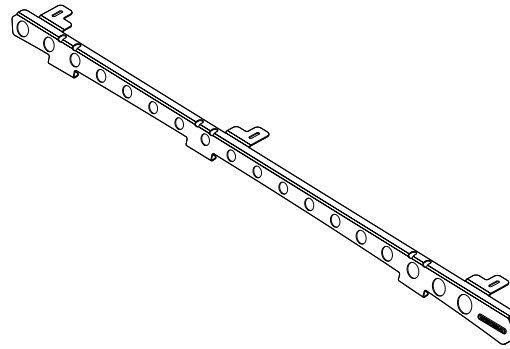
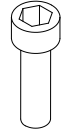
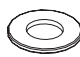
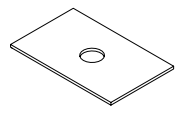
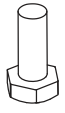

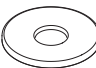
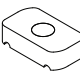
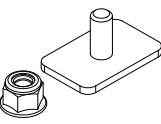
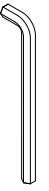



Ensure Ladder is well supported on the ground to support tent. Take extreme caution when climbing heights above 1.2m/4ft.

Paddle/ Surfboards should be fixed to the front of the vehicle.

RTPB1 Backbone Instructions

Parts List

<p>Backbone Left</p>  <p>A x1</p>	<p>Backbone Right</p>  <p>B x1</p>		
<p>M8 x 30mm Socket Head Cap Screw</p>  <p>C x12</p>	<p>M8 x 17 Flat Washer</p>  <p>D x12</p>	<p>Butyl Patch 40 x 25mm</p>  <p>E x12</p>	<p>M8 x 20mm Hex SetScrew</p>  <p>F x6</p>
<p>M8 Spring Washer</p>  <p>G x18</p>	<p>M8 x 19 x 2.5mm Flat Washer</p>  <p>H x6</p>	<p>M8 Channel Nut</p>  <p>I x6</p>	<p>Pioneer NG Bolt Kit</p>  <p>J x6</p>
<p>Short 6mm Allen Key</p>  <p>K x1</p>	<p>Instruction</p>  <p>L x1</p>	<p>Tools Required:</p> <ul style="list-style-type: none"> T1 - 13mm Socket Wrench/ Spanner T2 - Flat Blade Screw Driver + Masking tape T3 - 6mm Ball End Allen Key (recommended) T4 - Cleaning Rag 	

CONTENTS:

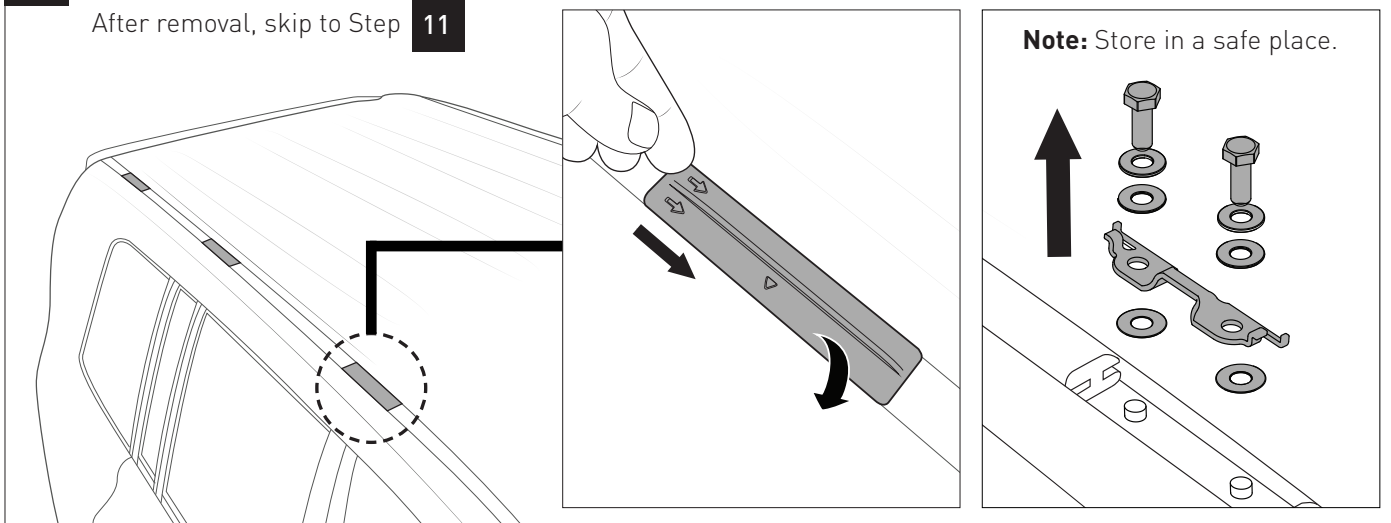
For **Toyota Prado 150 Series** installation, complete Steps **1** - **11** and **15** - **24**

For **Lexus GX460** installation, complete Steps **12** - **24**

TOYOTA PRADO 150 SERIES - Fixed Mount Points (For Lexus install, skip to Step 12)

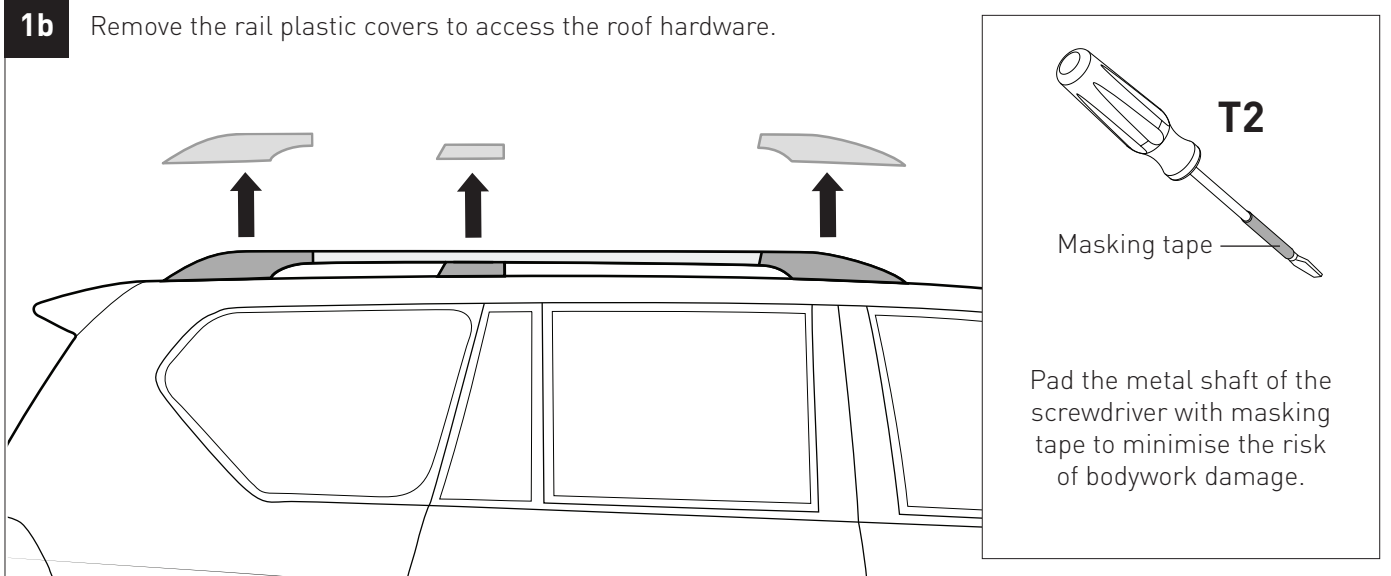
1a Remove the six mounting point covers (three per side). Remove cover, factory bracket and hardware.

After removal, skip to Step **11**

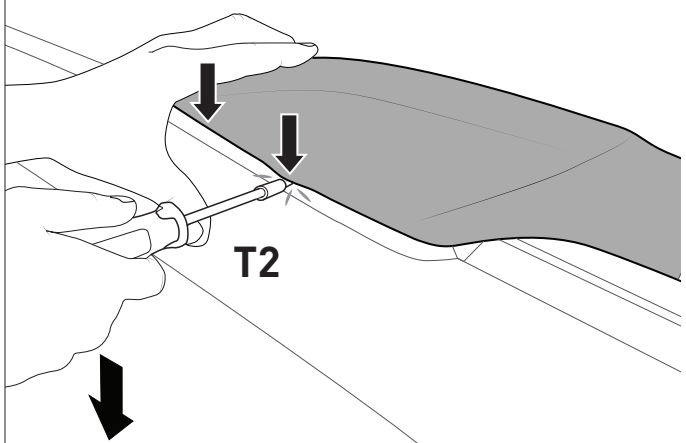


TOYOTA PRADO 150 SERIES - Factory Roof Rails

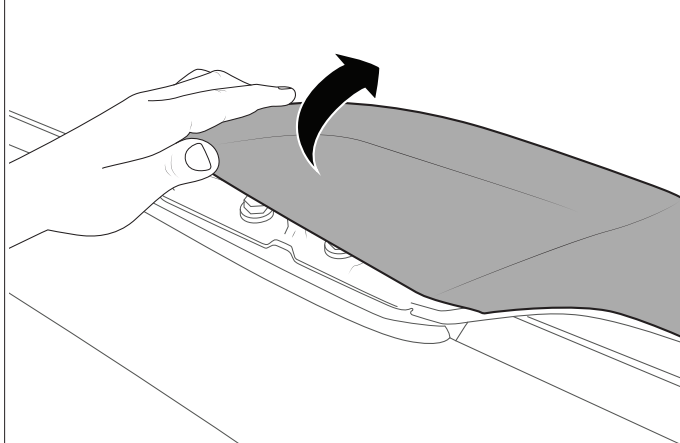
1b Remove the rail plastic covers to access the roof hardware.



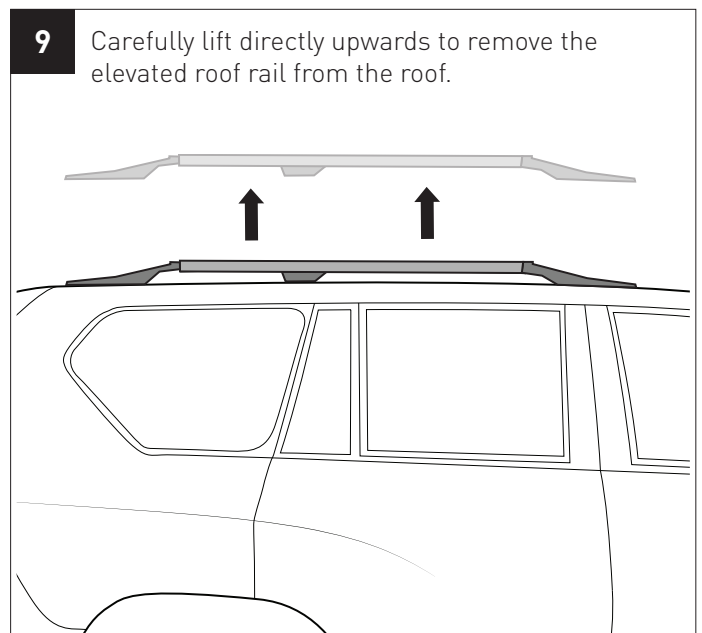
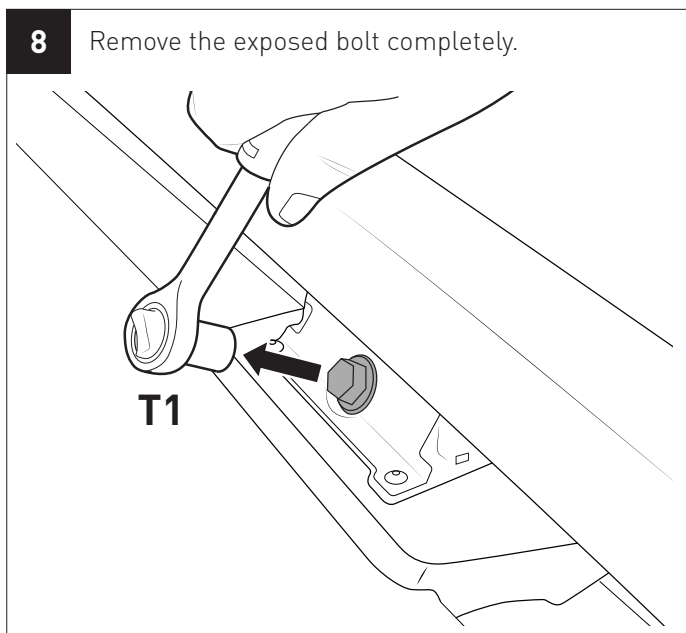
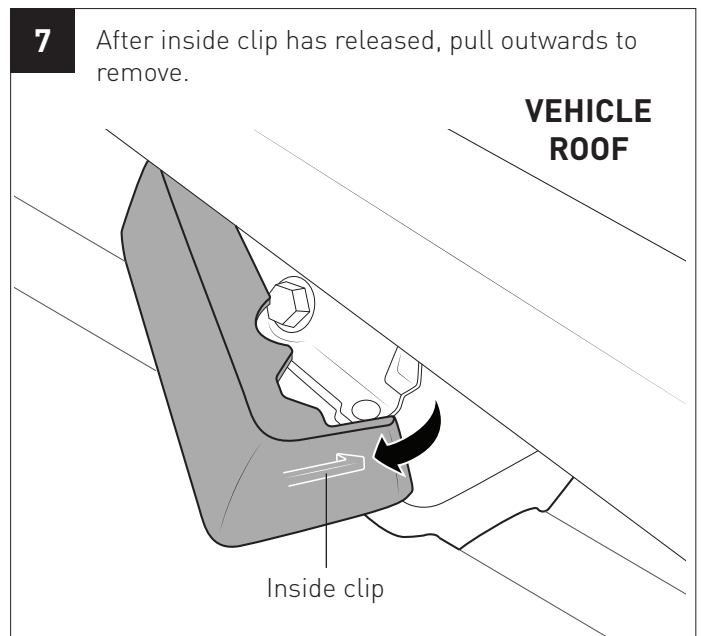
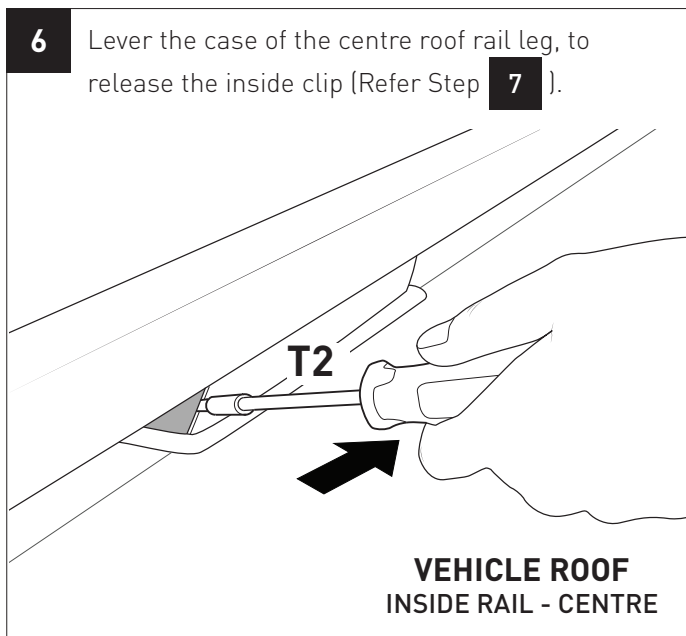
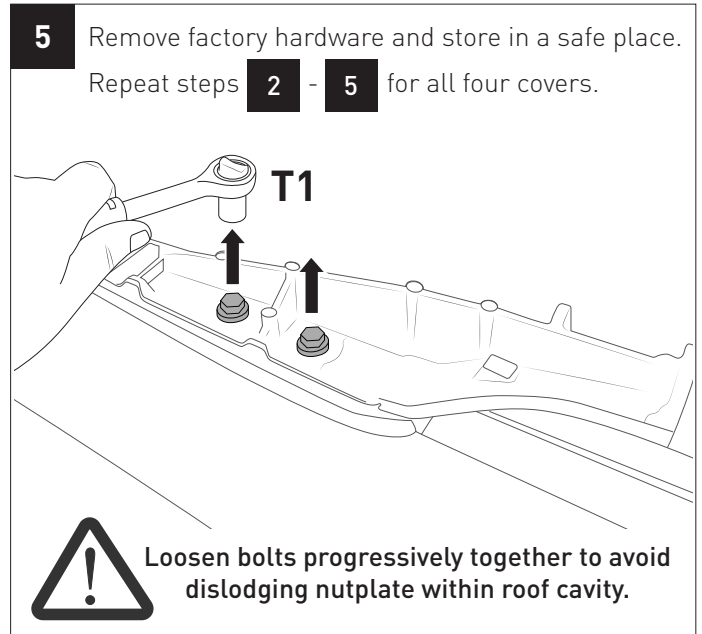
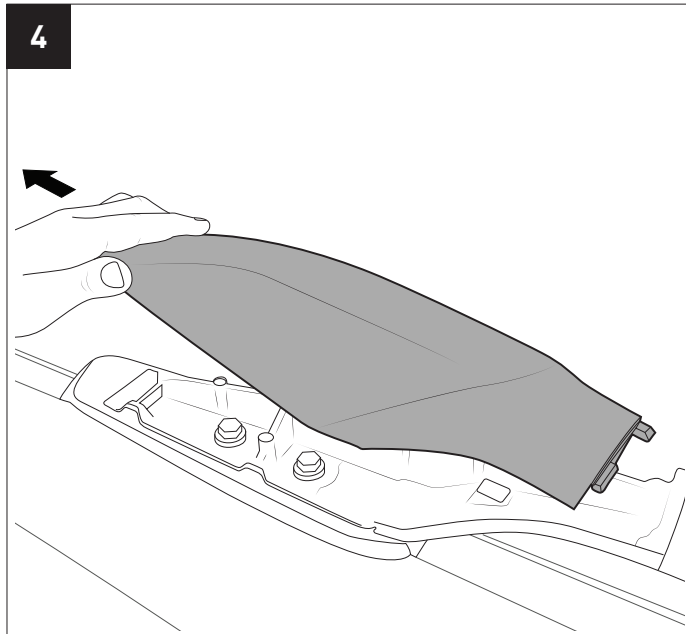
2 Unclip the two outside clips. Flex the covers to find where clips are resisting. Lever downwards until the clips pop out.



3 Push the front of the cover in towards the car. This will release the inside clips of the cover.

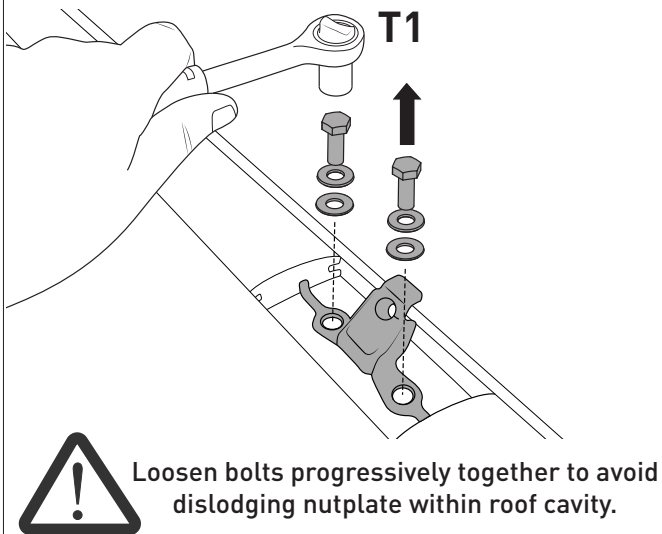


RTPB1 Backbone Instructions

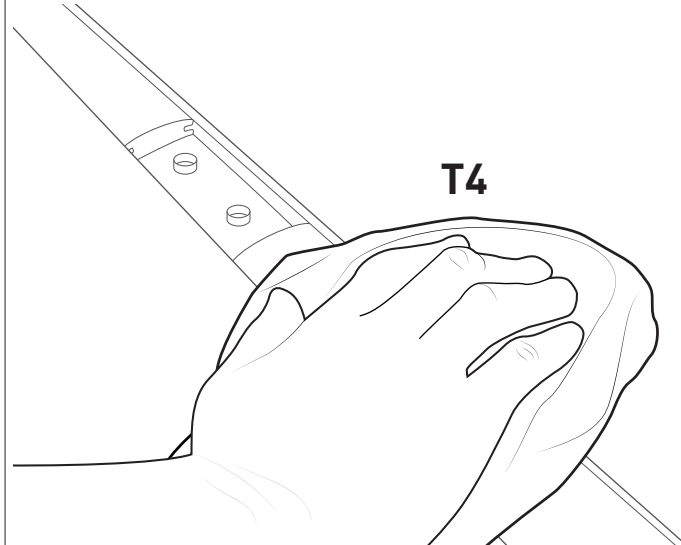


RTPB1 Backbone Instructions

- 10** Remove remaining hardware from centre fixing points.

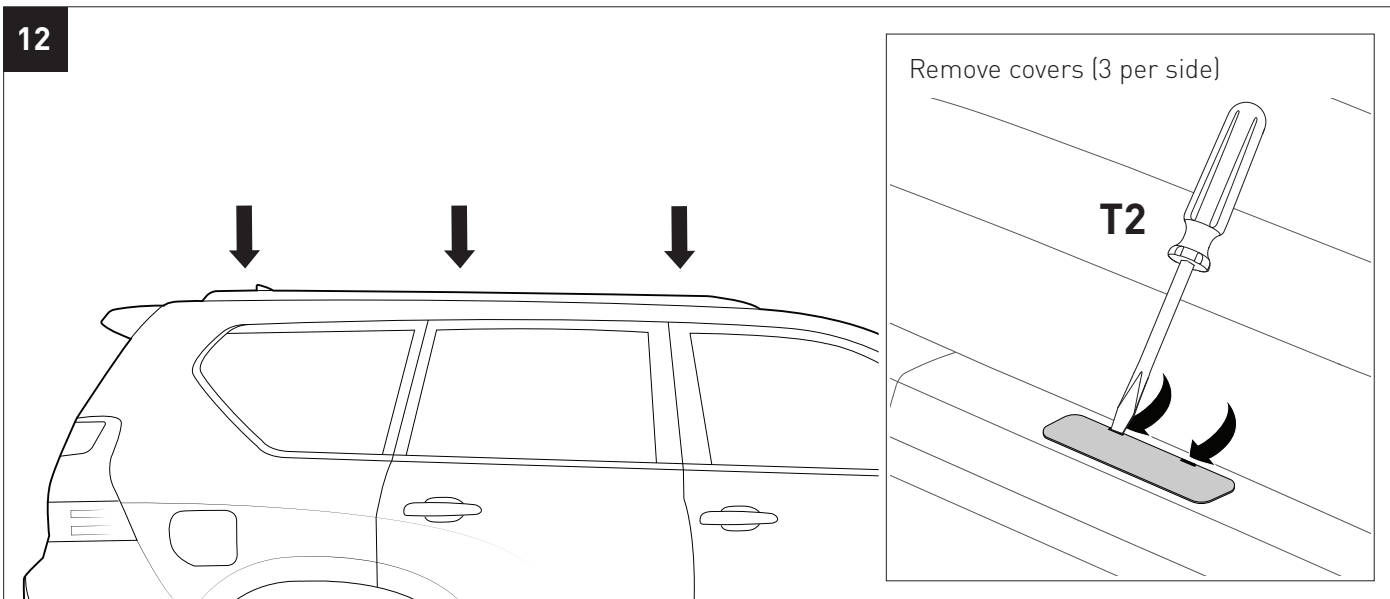


- 11** Remove any dirt build-up and clean the paint work.

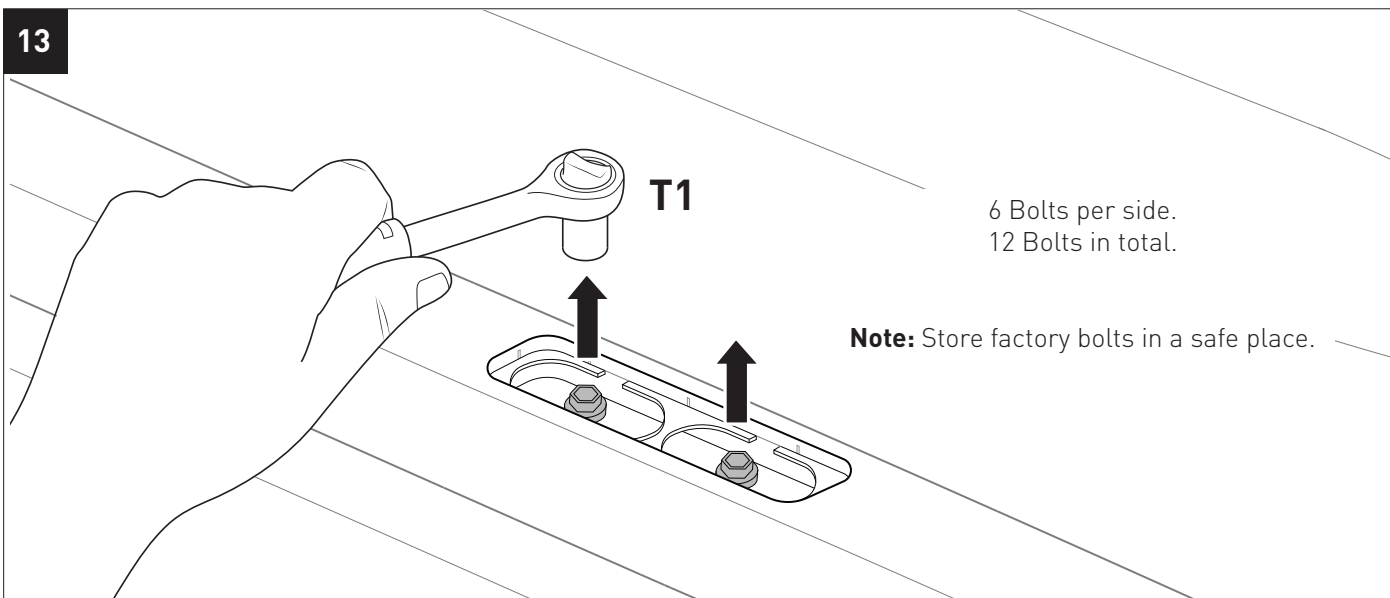


LEXUS GX460 - Factory Flush Rails (For Prado install, continue to Step **15**)

12

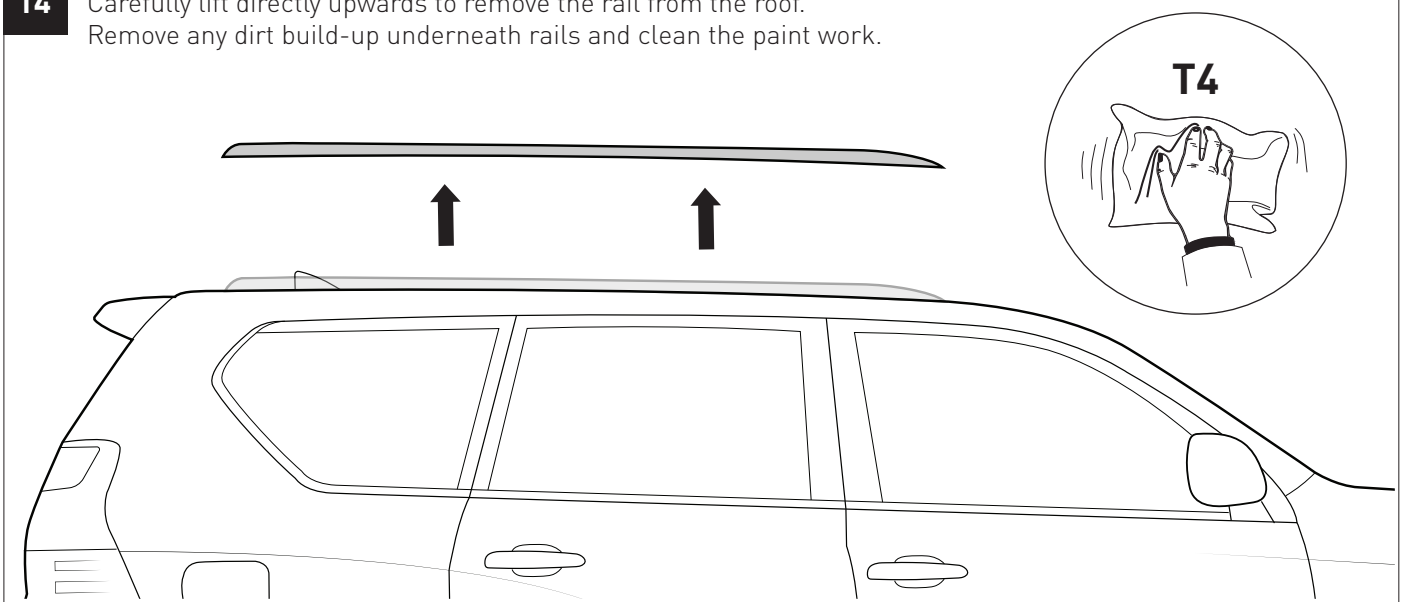


13

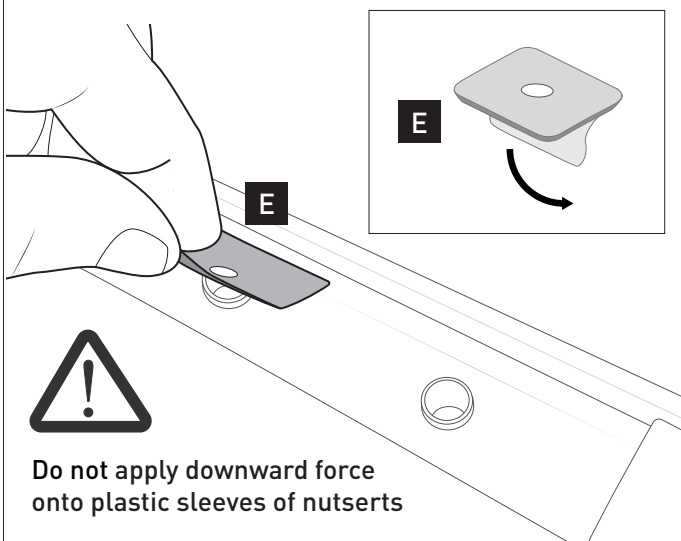


RTPB1 Backbone Instructions

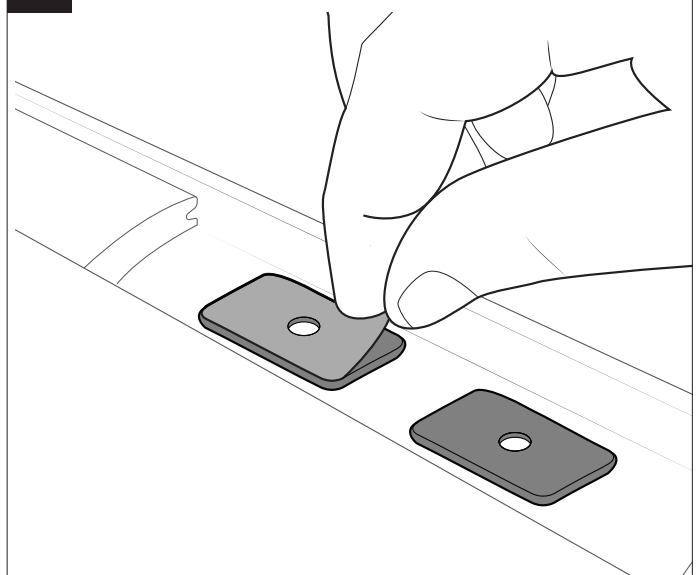
- 14** Carefully lift directly upwards to remove the rail from the roof.
Remove any dirt build-up underneath rails and clean the paint work.



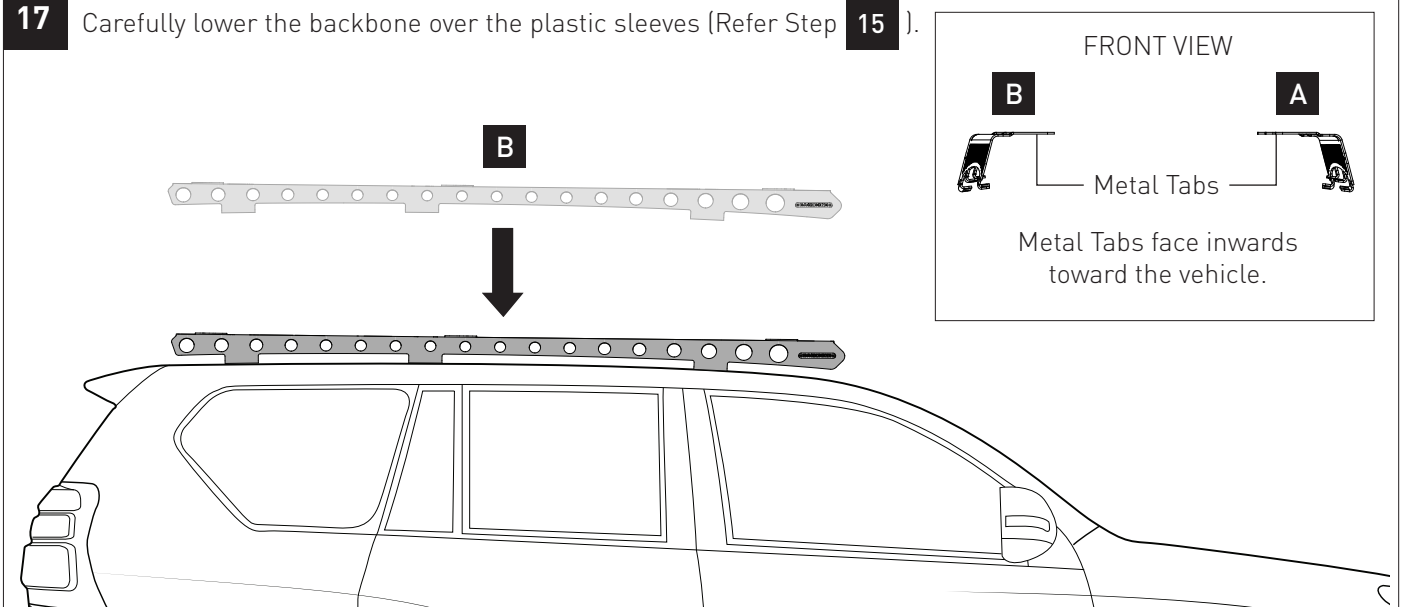
- 15** Apply butyl patch onto all 12 mounting holes.
Ensure patch adheres to channel surface securely.



- 16** Remove top cover tape of each butyl.

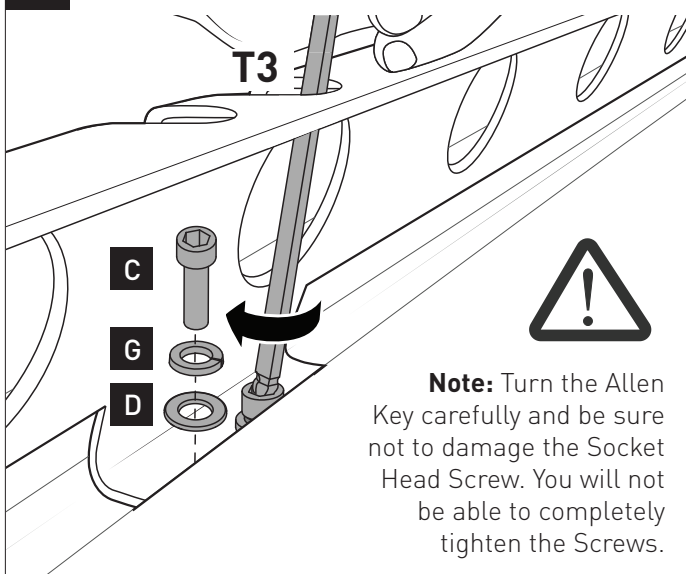


- 17** Carefully lower the backbone over the plastic sleeves (Refer Step 15).

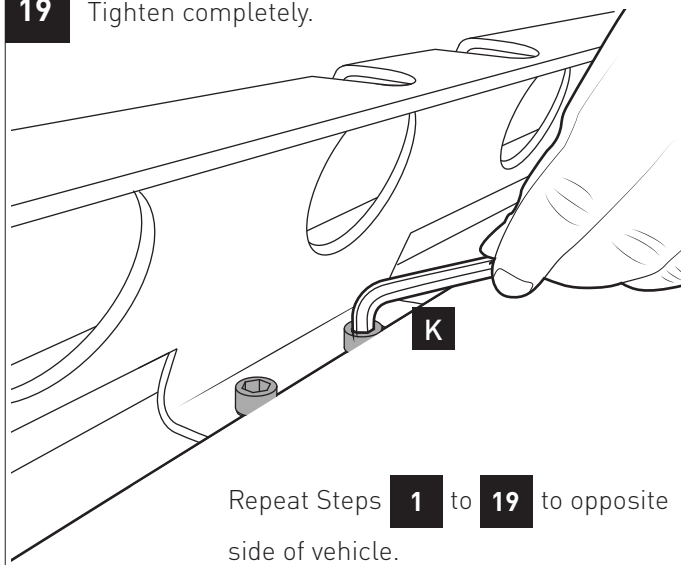


RTPB1 Backbone Instructions

18 Carefully start each screw.



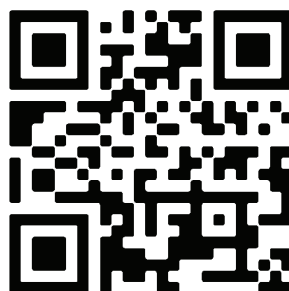
19 Tighten completely.



20 PLATFORM INSTALLATION



rhinorack.com/roof



EXAMPLE ONLY

RHINO-RACK | PIONEER VEHICLE FITTING INFORMATION

VEHICLE	MODEL	YEAR	CONNECTOR	ROOF	WEIGHT CARRIER POSITION
MINI COOPER	COOPER	2008-2010	1	1	1
MINI COOPER	COOPER	2011-2013	1	1	1
MINI COOPER	COOPER	2014-2016	1	1	1
MINI COOPER	COOPER	2017-2019	1	1	1
MINI COOPER	COOPER	2020-2022	1	1	1

VEHICLE WEIGHT LIMIT

UP TO 96 Kg + 24 Kg = UP TO 120 Kg
 UP TO 212 lbs + 53 lbs = UP TO 265 lbs

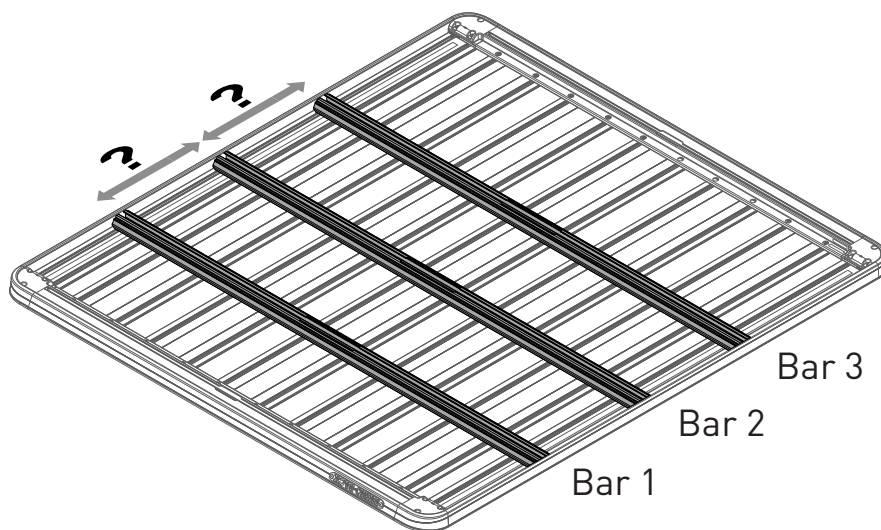
VEHICLE MANUFACTURER'S ROOF LOAD LIMIT

UP TO 120 Kg
 UP TO 265 lbs

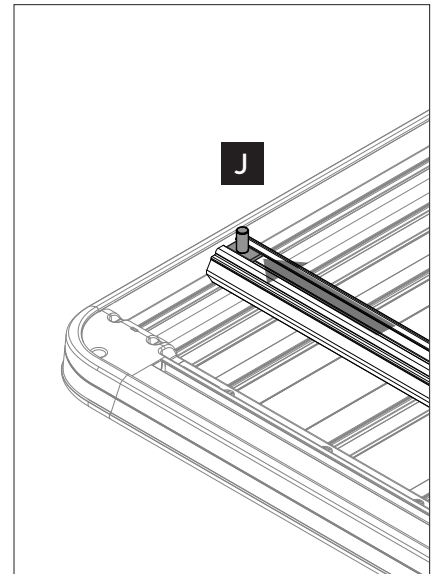
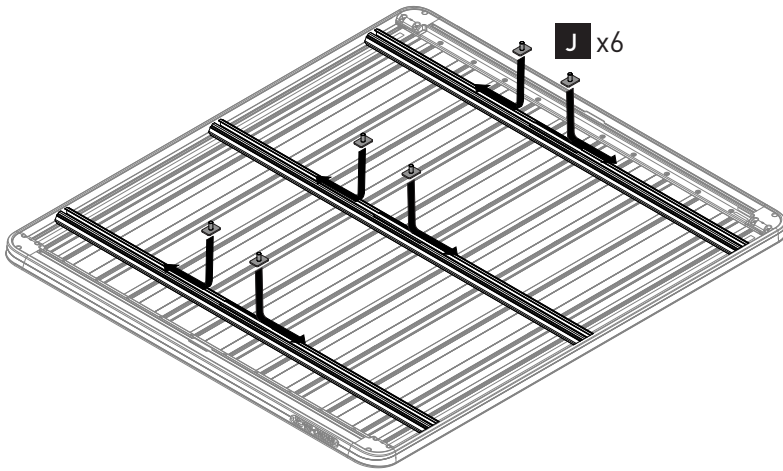
UNDERBAR SPACING

BAR NO.	A	B	C	D	E	F	G
1							
2							
3							

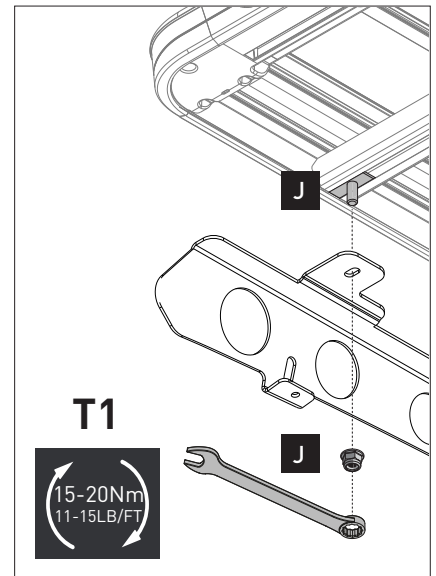
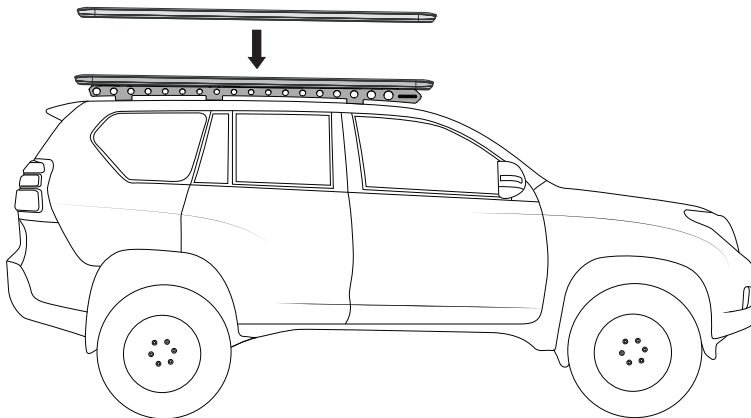
View Fitting Chart



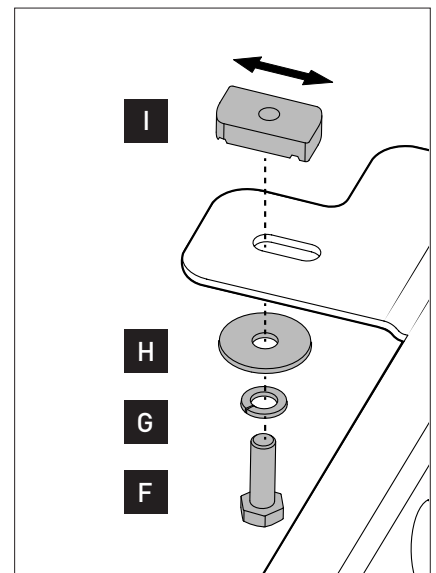
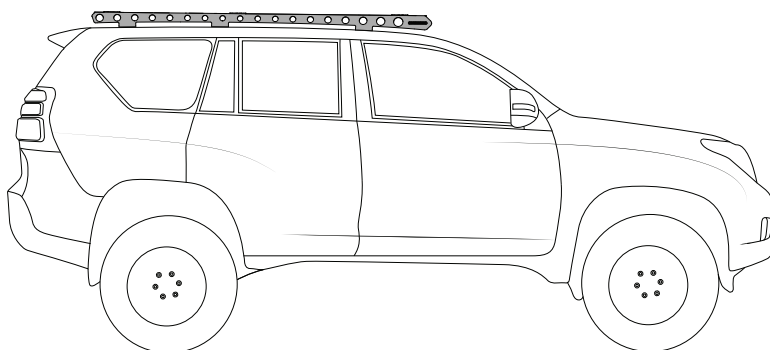
21 For 5XXXX Series Platform



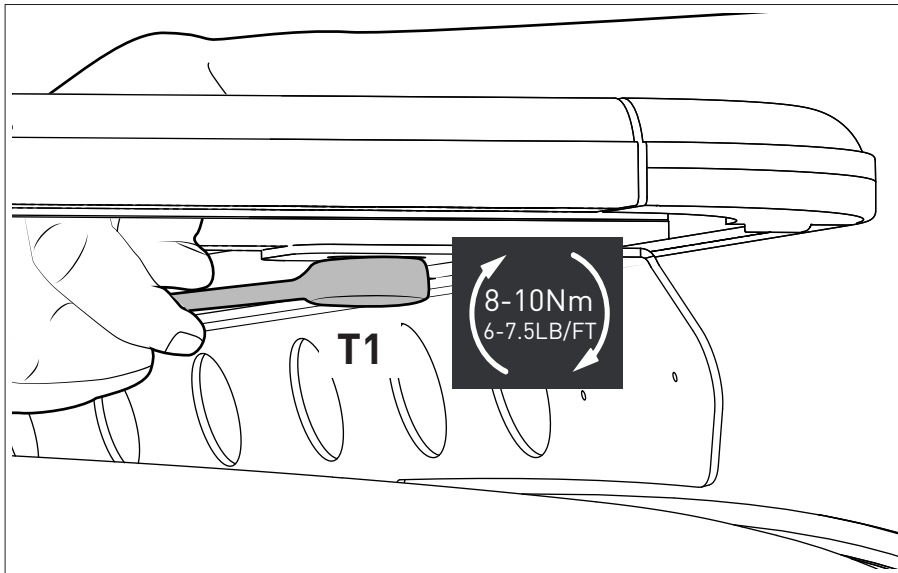
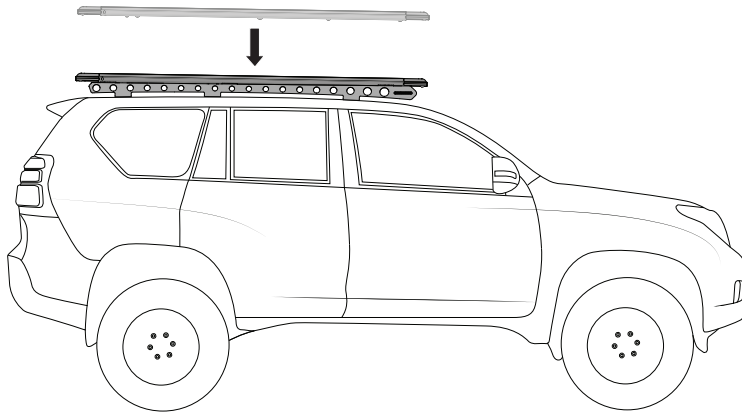
22 For 5XXXX Series Platform



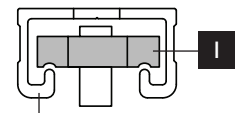
23 For 4XXXX Series Platform



24 For 4XXXX Series Platform



Ensure channel nut has rotated within Pioneer underbar and is fixing Pioneer securely.



Pioneer underbar