



RHINO-RACK

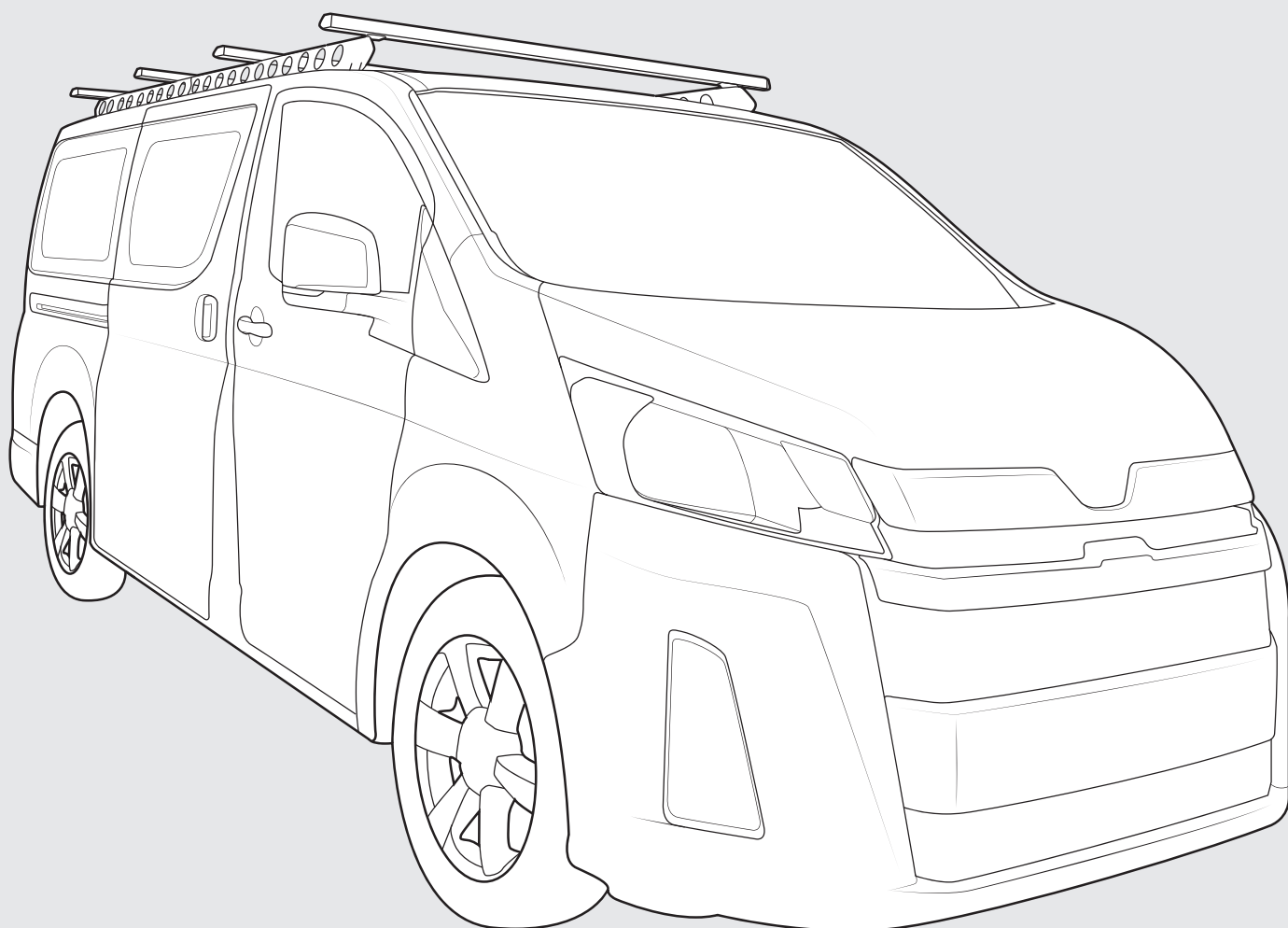
CONTROLLED

TOYOTA HIACE GEN6 LWB BACKBONE - RTHB3

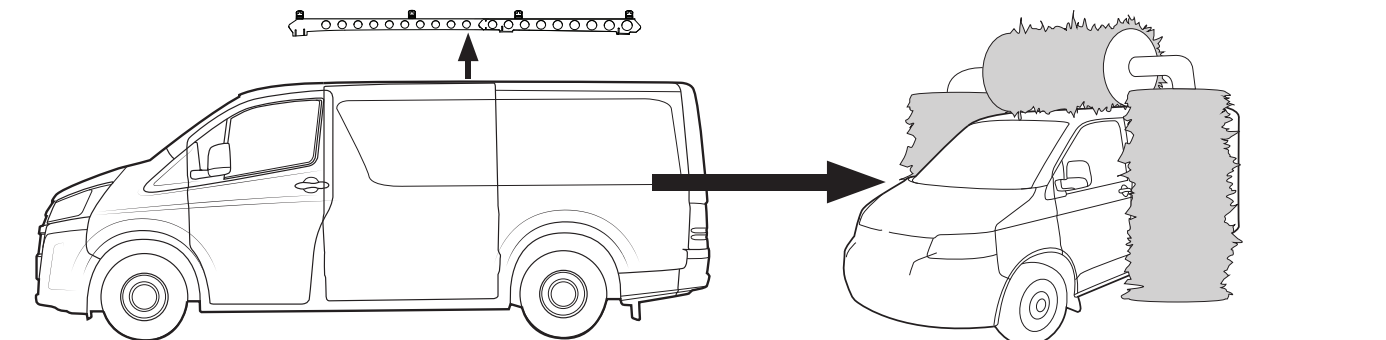
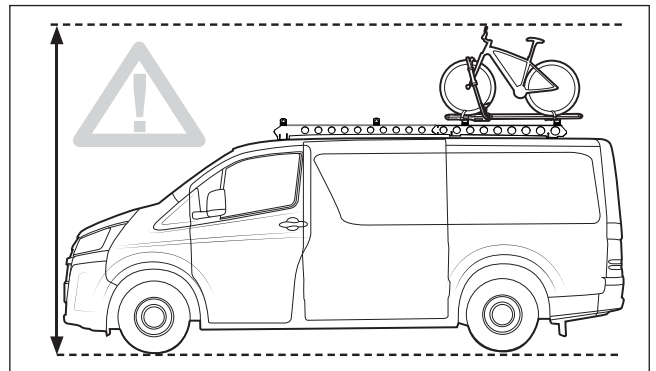
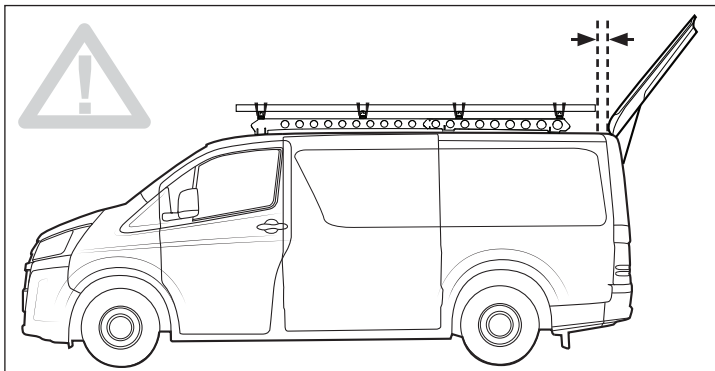
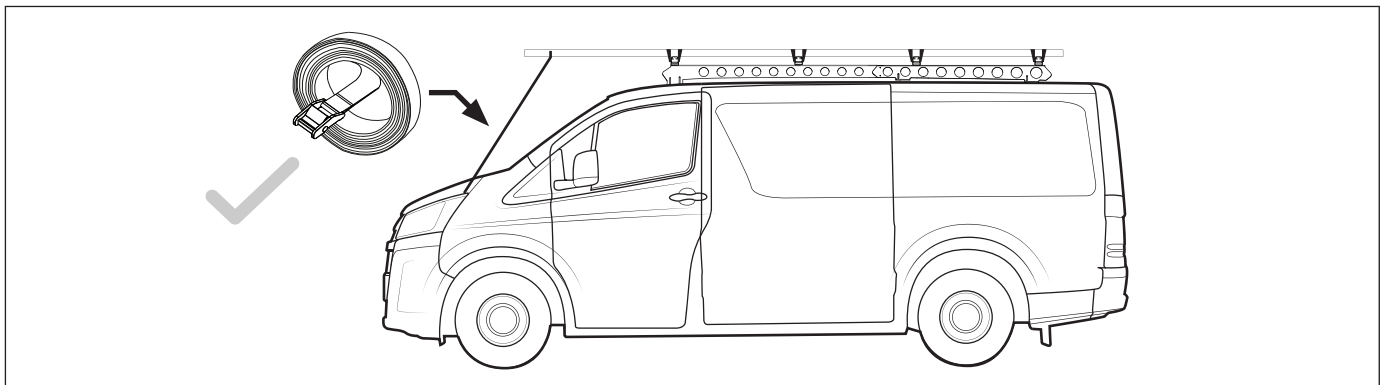
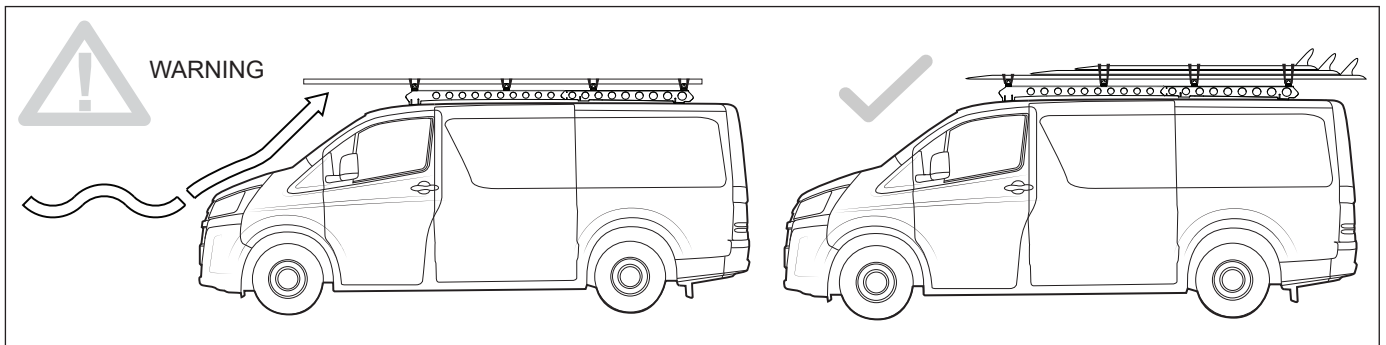
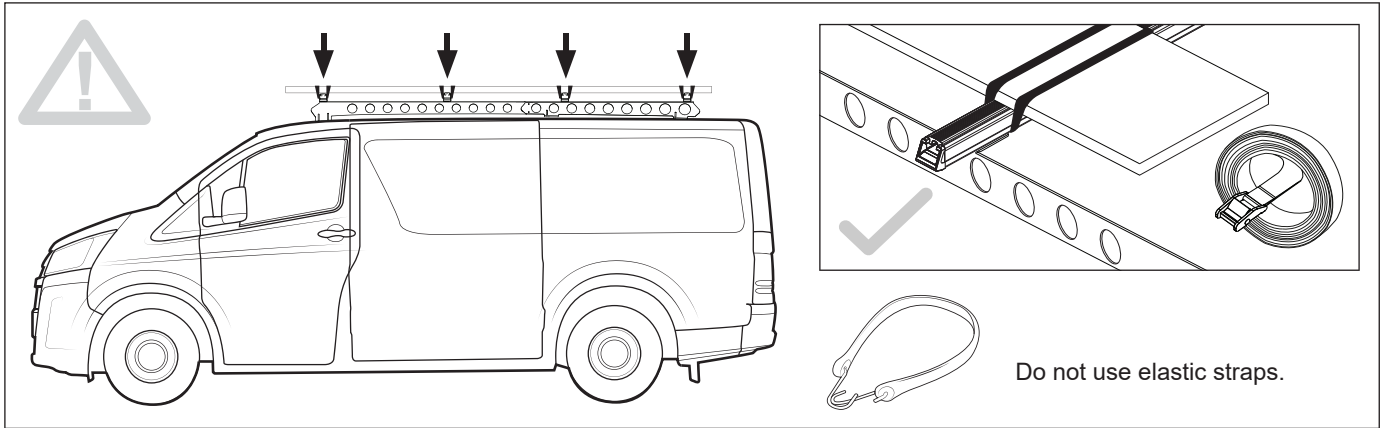
Important:

1. Check the Rhino-Rack website to ensure you have the latest issue of these instructions.
2. Please refer to your fitting instruction to ensure that the roof racks are installed in the correct locations.
3. Check the contents of kit before commencing fitment and report any discrepancies.
4. Place these instructions in the vehicle's glove box after installation is complete.
5. These instructions must be followed for warranty to be upheld.

Fit Time: 1.5 hours



RTHB3 Backbone Instructions



RTHB3 Backbone Instructions

Carrying Capacity

Check your vehicle owners hand book for vehicle maximum carrying capacity. Please ensure you use the vehicle manufactures maximum roof allowance if it is lower than the figure listed in this instruction.

Load must be evenly distributed over the system.

Off Road: Any driven path taken that does not contain a surface protection layer (tar/bitumen).

Vehicle Load Limit: Total permissible weight attached to the roof of the car. This is inclusive of the weight of the roof rack system.

System Load Limit: Total permissible weight allowed on top, and attached to roof racks whilst the vehicle is in motion.

Static Allowance: Total permissible weight allowed on top, and attached to roof racks whilst the vehicle is stationary.

System Load Limit	Off Road Load Allowance	Vehicle Load Limit	Rack Weight
98kg/216lbs	65kg/143lbs	120kg/264lbs	22kg/49lbs

Torque Settings

Unless stated otherwise in these instructions, all fasteners should be set to the following torque settings - M6: 4-5Nm (3-4lbs/ft), M8: 8-10Nm (6-7.5lbs/ft) and M10: 16-18Nm (12-13lbs/ft).

Warning

- Check part number/ or kit is correct for use with your vehicle.
- Do not attempt to fit the rack system to your vehicle unless you fully understand these fitting instructions. Please direct any questions regarding fitting to the dealer from where the roof racks were purchased.
- Although the system is tested and approved to AS1235-2000 / ISO 11154, off-road conditions can be much more rigorous. Extreme care must be taken in off road conditions.
- Roof racks must be removed when vehicle is put through an automatic car wash.
- With utility vehicles, the cabin and the canopy move independently. Roofracks and vehicle can be damaged if the item transported is rigidly fixed at points on both the cabin and canopy. Instead, rigidly fix to either the cabin roofracks or the canopy roofracks.
- Always ensure you fasten your load securely.
- Use only non-stretch fastening ropes or straps to attach cargo to your load.

In service maintenance checks

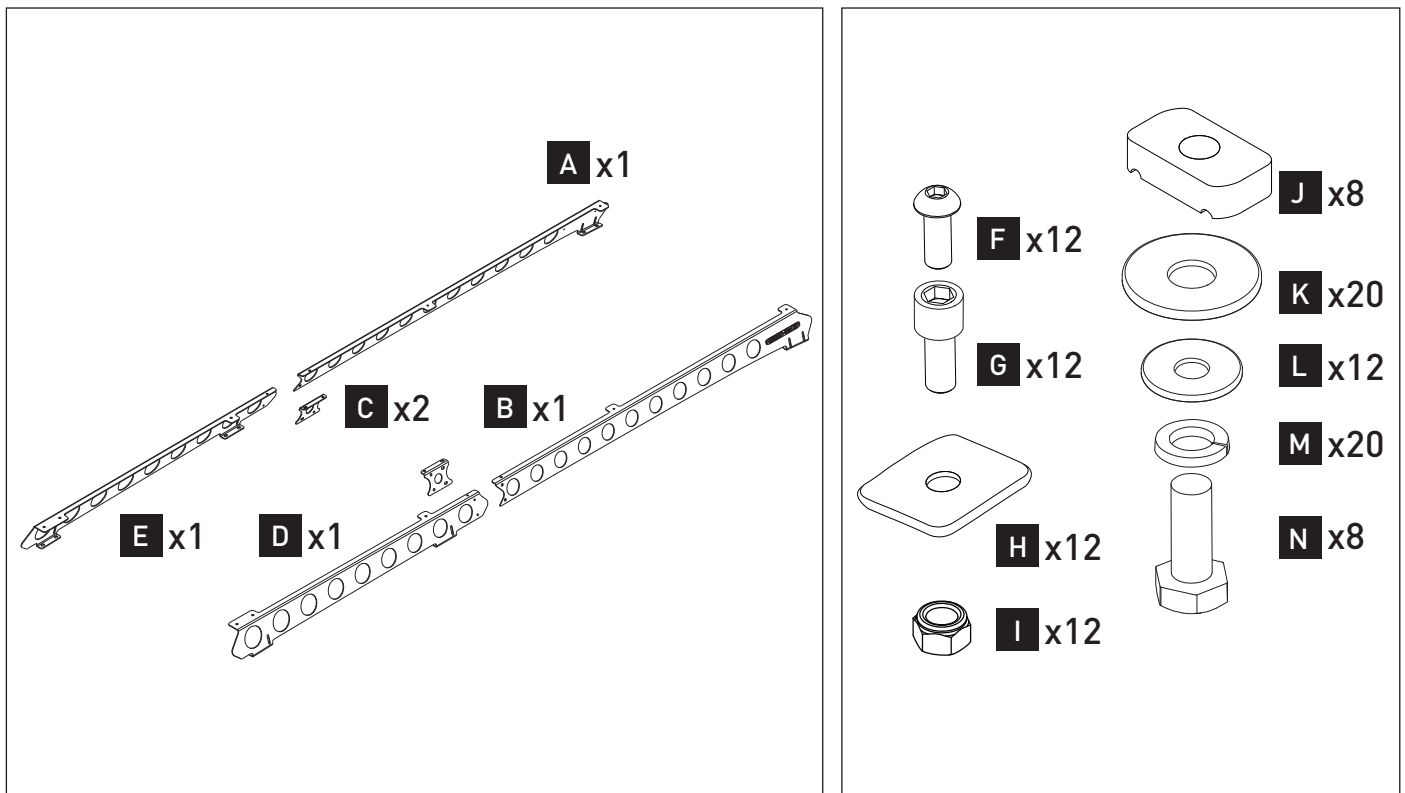
- All bolt connections should be checked after driving a short distance when you first install your roof racks.
- All bolted connections should be checked again at regular intervals (weekly is recommended, depending on road conditions, usage, loads and distances travelled).
- All bolted connections should be checked each time they are re-fitted.

Note for Dealers and Fitters

It is your responsibility to ensure these fitting instructions are given to the end user or client. These instructions remain the property of Rhino-Rack Australia Pty. Ltd. and may not be used or changed for any other purpose than intended.

RTHB3 Backbone Instructions

Parts List



Item	Description	Qty
A	HIACE FL GEN6 LWB	1
B	HIACE FR GEN6 LWB	1
C	HIACE BACKBONE SIDE JOINER	2
D	HIACE RL GEN6 LWB	1
E	HIACE RR GEN6 LWB	1
F	M6 X 16MM DOME SCREW	12
G	M8 X 25MM CAP SCREW	12
H	BUTYL PATCH 40 X 25MM	12
I	M6 NYLOC NUT	12
J	M8 CHANNEL NUT	8
K	M8 X 17MM FLAT WASHER	20
L	M6 X 16MM FLAT WASHER	12
M	M8 SPRING WASHER	20
N	M8 X 20MM HEX SCREW	8
O	INSTRUCTION	1

Tools Required:


- T1 - 13mm socket wrench.
- T2 - 10mm socket wrench.
- T3 - 6mm ball end allen key.
- T4 - 4mm Allen key.

Note:

Crossbars sold as separate.

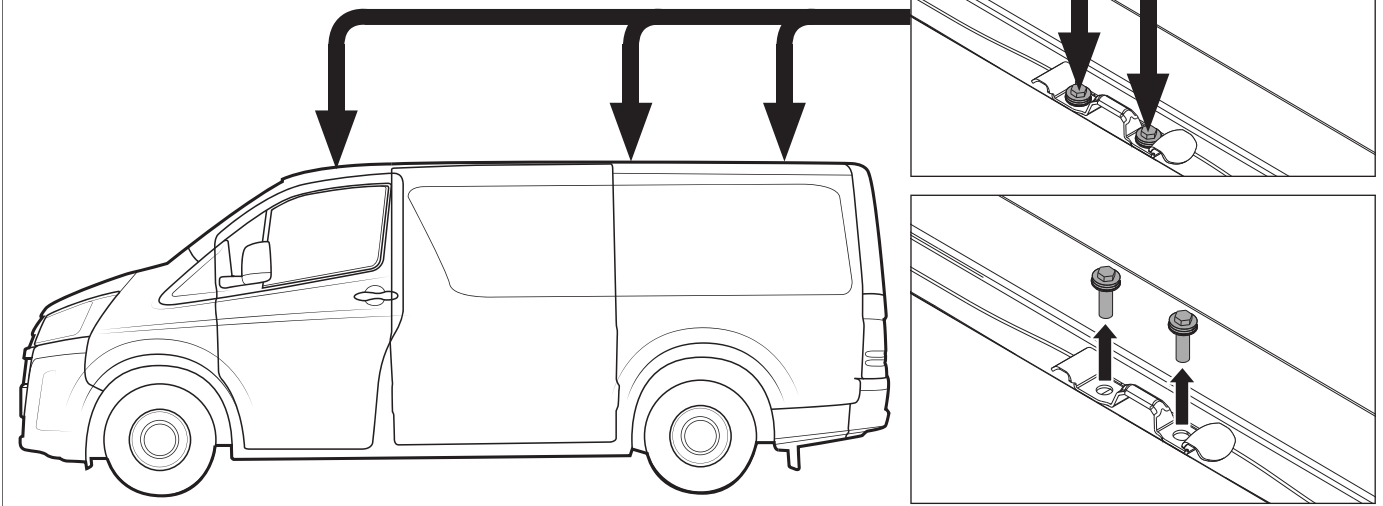
RTHB3 Backbone Instructions

1

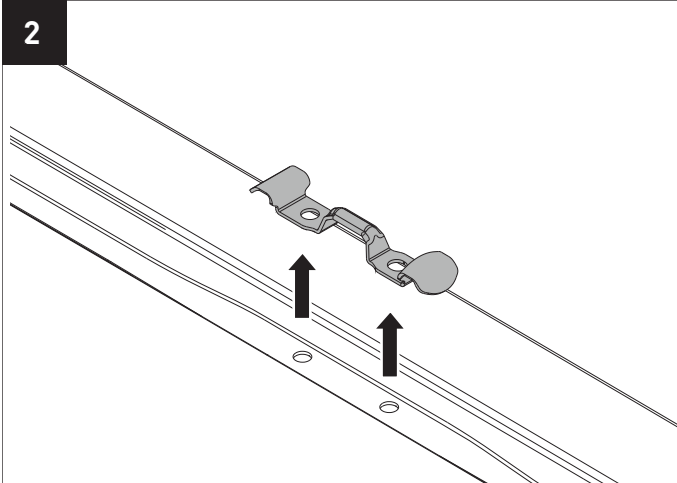
 When removing bolts, loosen bolts progressively together. Failure to do so can dislodge nutplate within roof cavity

T2

Bolts must be loosened together.

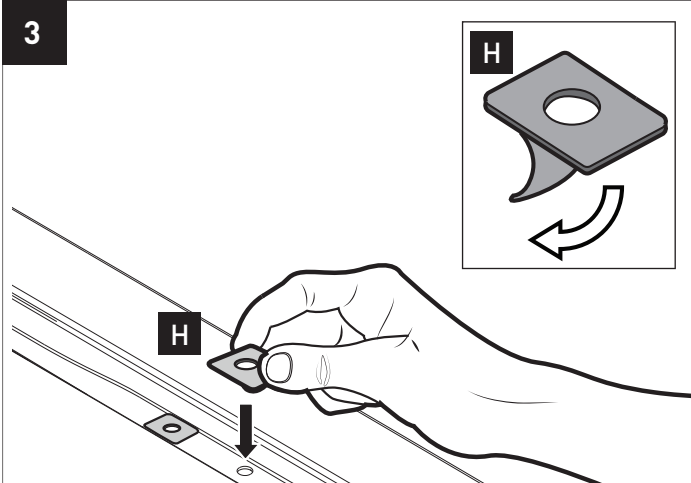


2

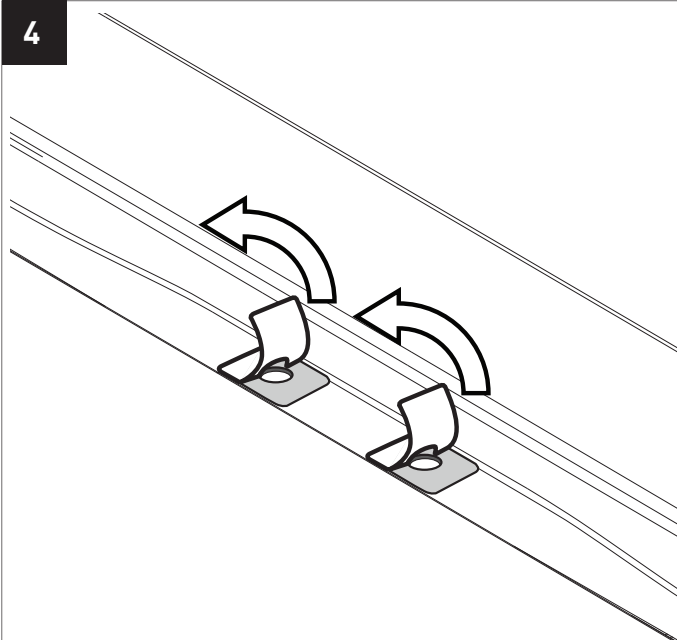


3

H



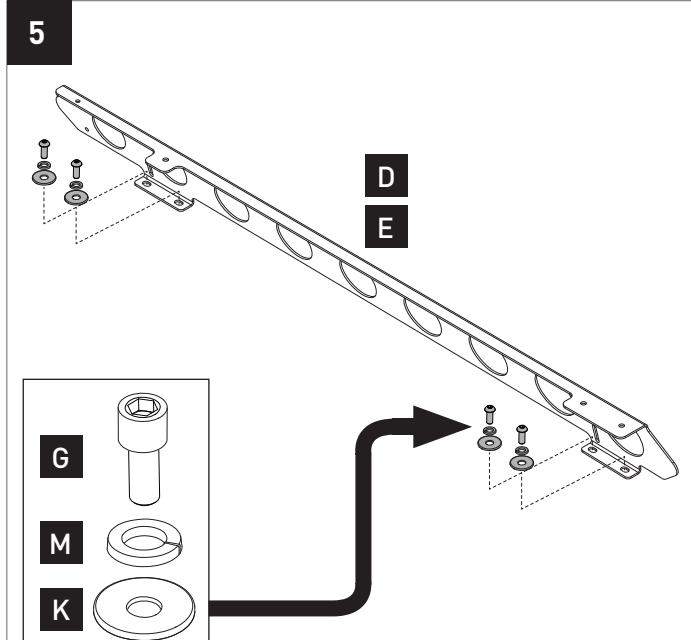
4



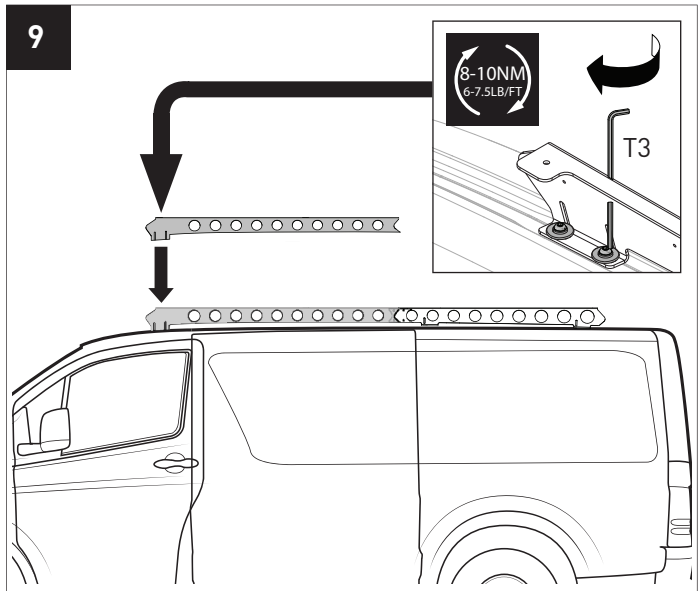
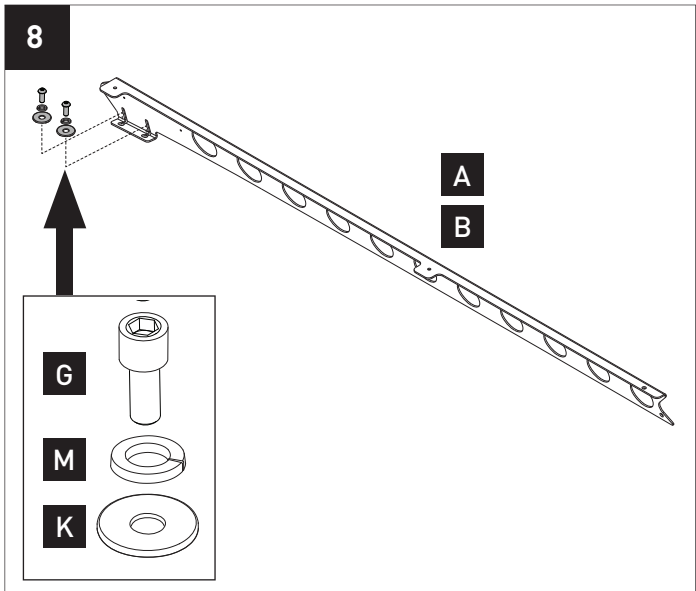
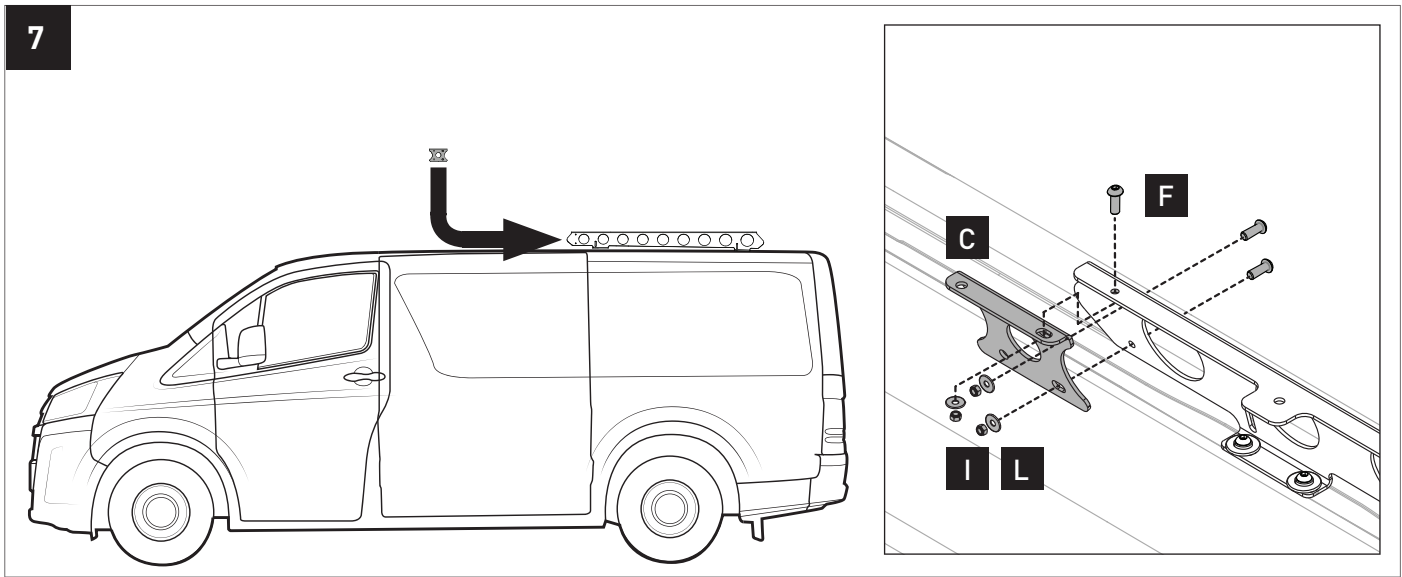
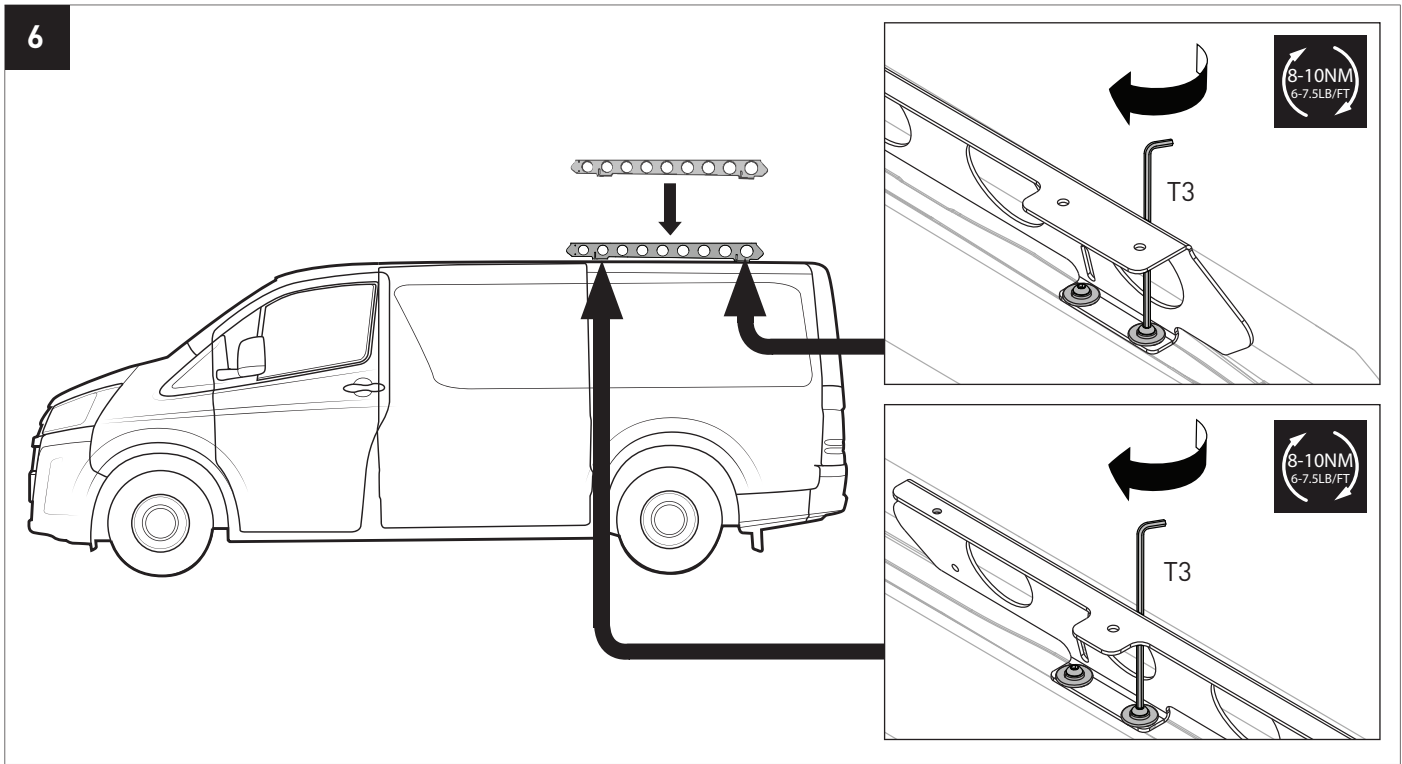
5

D
E

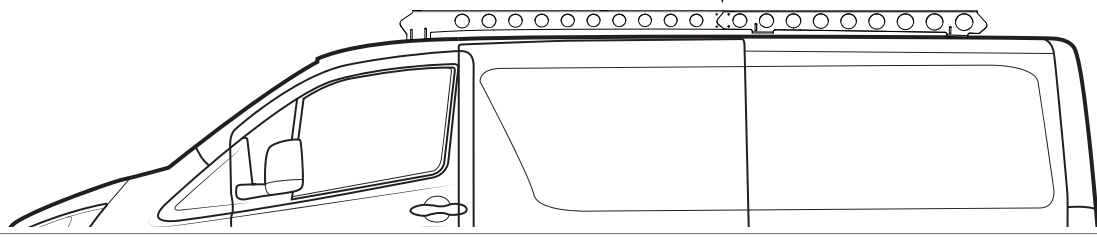
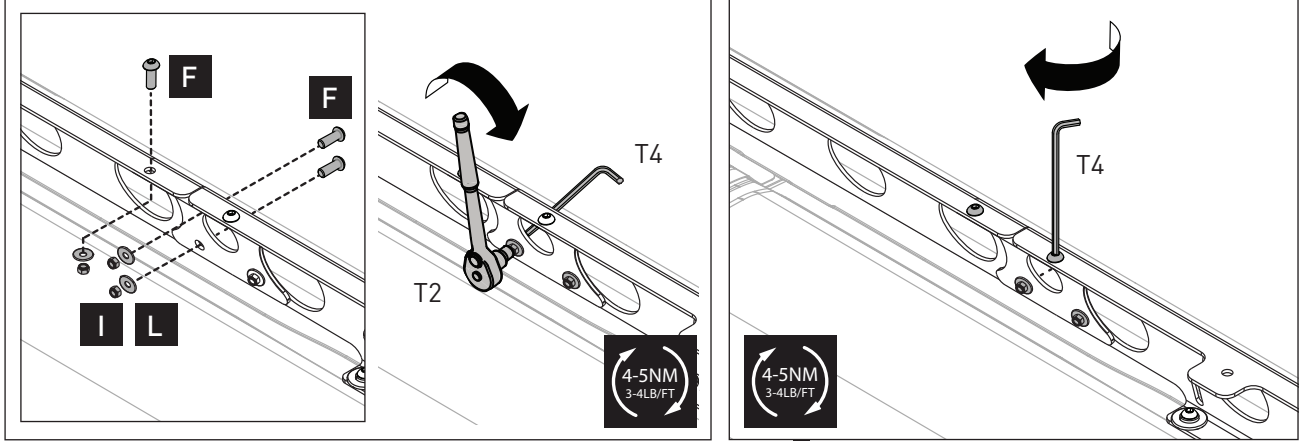
G
M
K



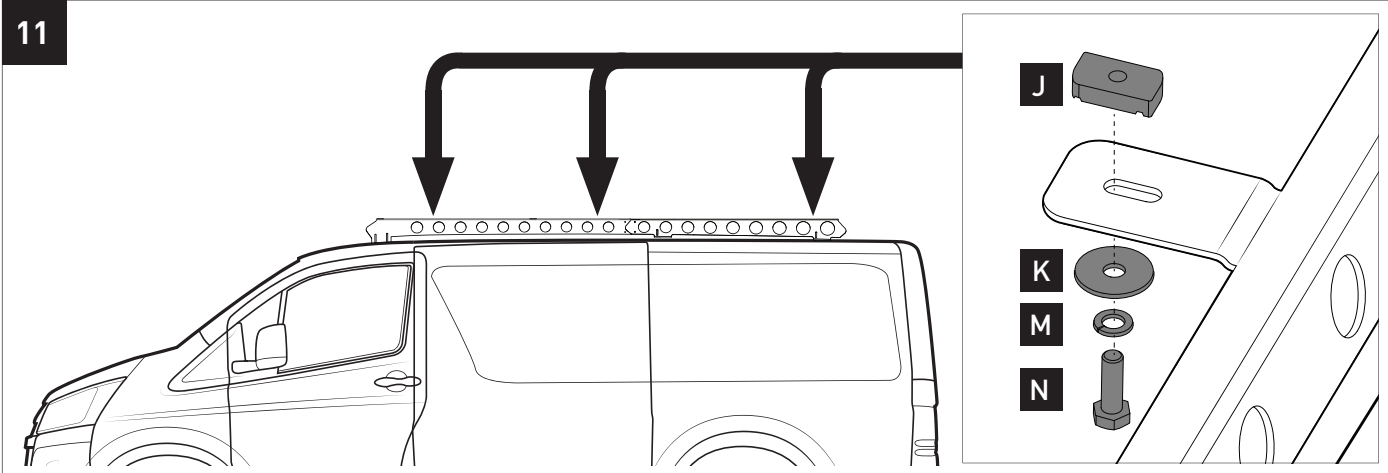
RTHB3 Backbone Instructions



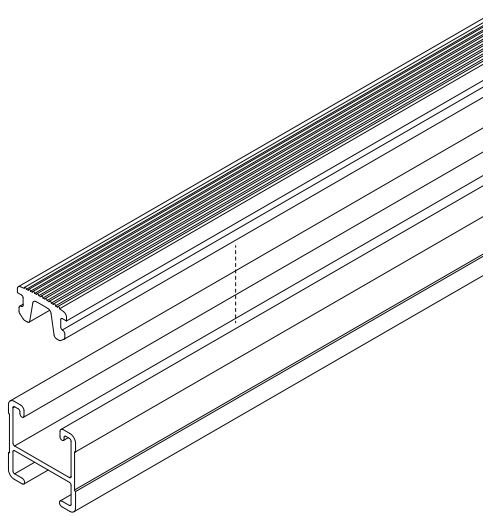
10



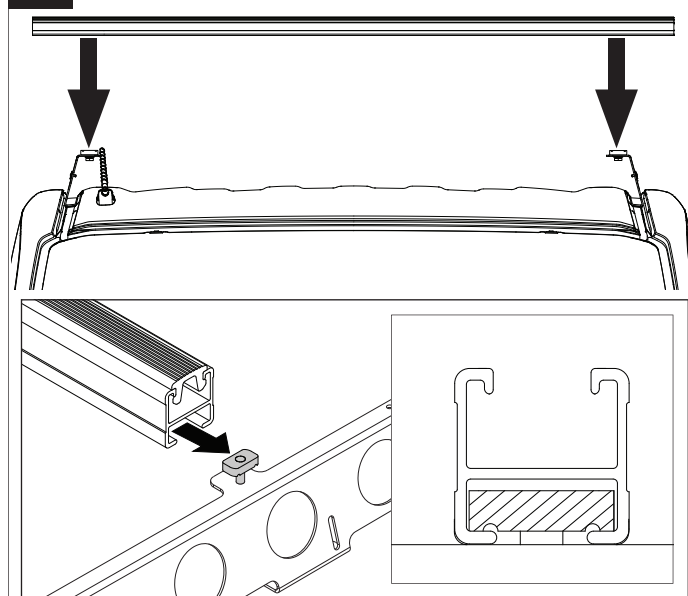
11



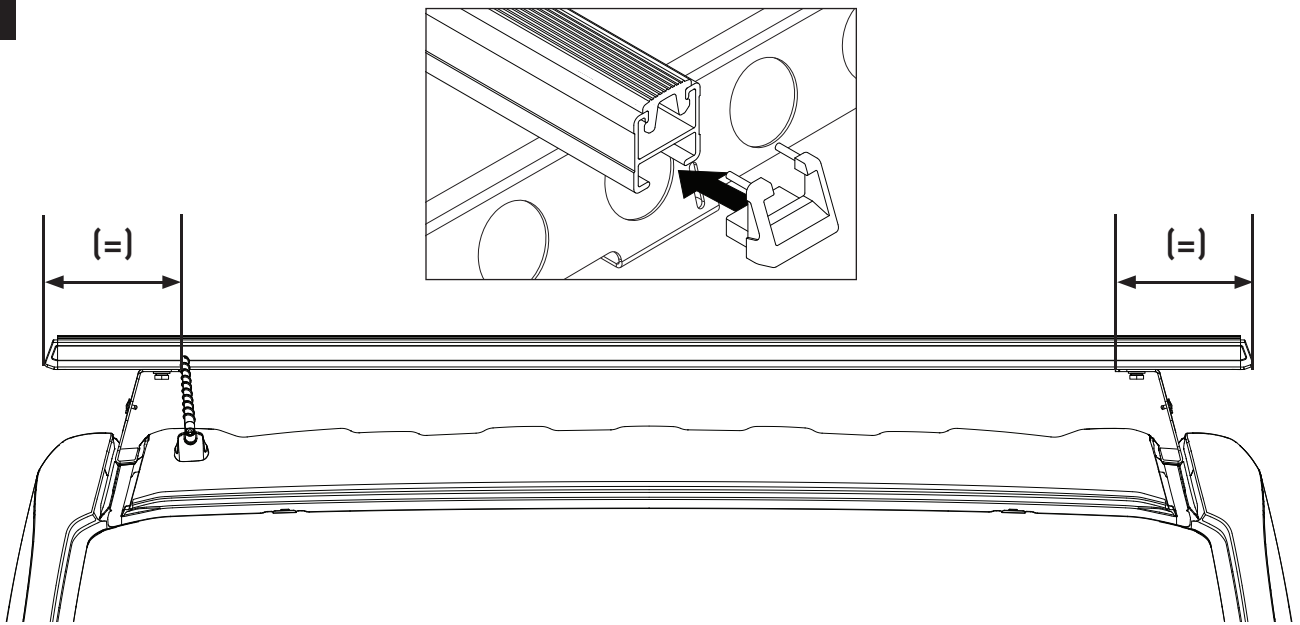
12 Note: Crossbars as separate.



13



14



15

