

RM12-120LFPSL

ELECTRICAL PERFORMANCE

Nominal Voltage	12.8 V
Nominal Capacity	120 Ah
Capacity @ 30A	300 min
Energy	1536 Wh
Resistance	≤30 mΩ @ 50% SOC
Self Discharge	<3% / Month
Cells	Cell 3.2V6Ah

CHARGE PERFORMANCE

Recommended Charge Current	30 A
Max Charge Current	60 A
Recommended Charge Voltage	14.6 V
Charge Cut-Off Voltage	<14.8 V (0.5 ~ 1.5 s)
Reconnect Voltage	>14.4 V
Balancing Voltage	<14 V
Maximum Batteries in Series	4
Maximum Batteries in Parallel	4

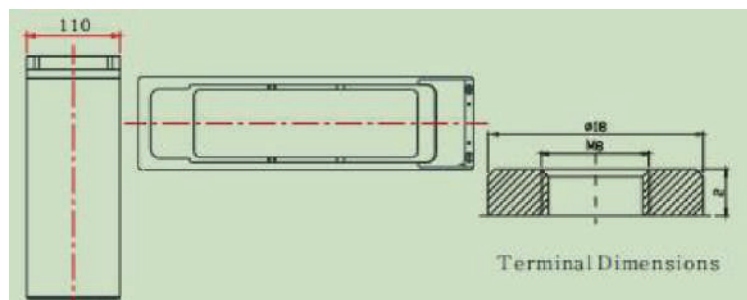
DISCHARGE PERFORMANCE

Continuous Discharge Current	50 A
Maximum continuous Discharge Current	100 A
Peak Discharge Cut-Off Current	300 A (3 s)
Recommended Low Voltage Disconnect	10 V
Discharge Cut-Off Voltage	9.6 V (50 ~ 150 ms)
Reconnect Voltage	11 V
Short Circuit Protection	200 ~ 600 μs

COMPLIANCE

Certifications	CE UN38.3 UL1642 & IEC62133
Shipping Classification	UN 3480, CLASS 9

OUTLINE DIMENSION



L mm(“)	W mm(“)	H mm(“)	HT mm(“)
395 (15.55)	110 (4.33)	265 (10.43)	



MECHANICAL PERFORMANCE

Dimension (L x W x H)	395 x 110 x 265 mm
Approx. Weight	13.5 kg
Terminal Type	M8
Terminal Torque	80 ~ 100 in-lbs (9 ~ 11 N-m)
Bluetooth	Yes
Case Material	ABS
Enclosure Protection	IP54

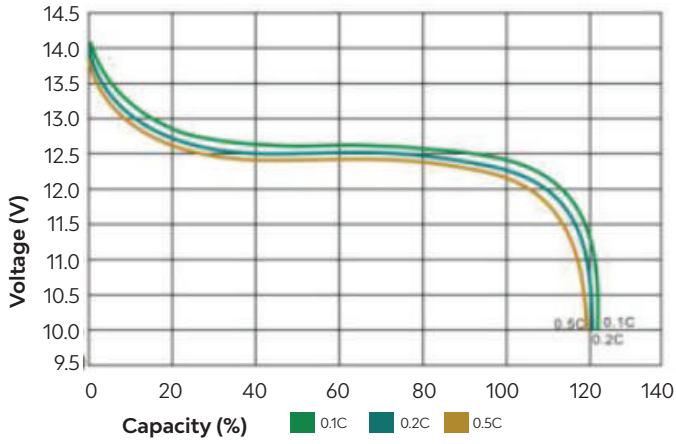
TEMPERATURE PERFORMANCE

Discharge Temperature	-4 ~ 140 °F (-20 ~ 60 °C)
Charge Temperature	32 ~ 113 °F (0 ~ 45 °C)
Storage Temperature	23 ~ 95 °F (-5 ~ 35 °C)
High Temperature Cut-Off	149 °F (65 °C)
Reconnect Temperature	118 °F (48 °C)

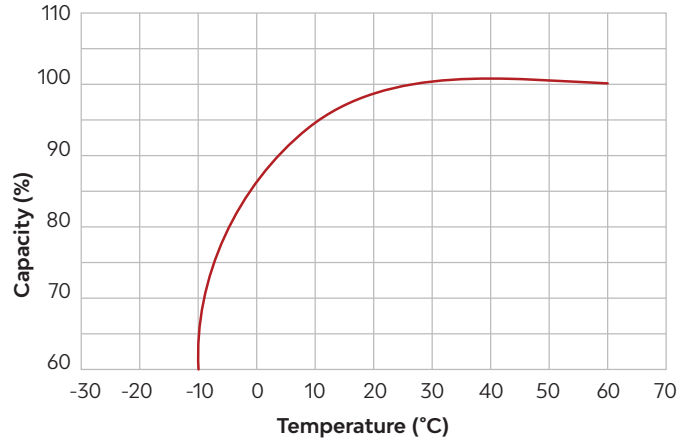
RM12-120LFPSL

PERFORMANCE CHARACTERISTICS

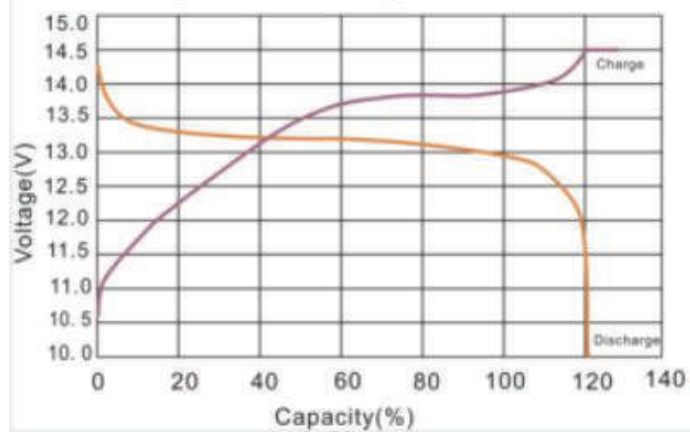
Discharge Performance at 25°C



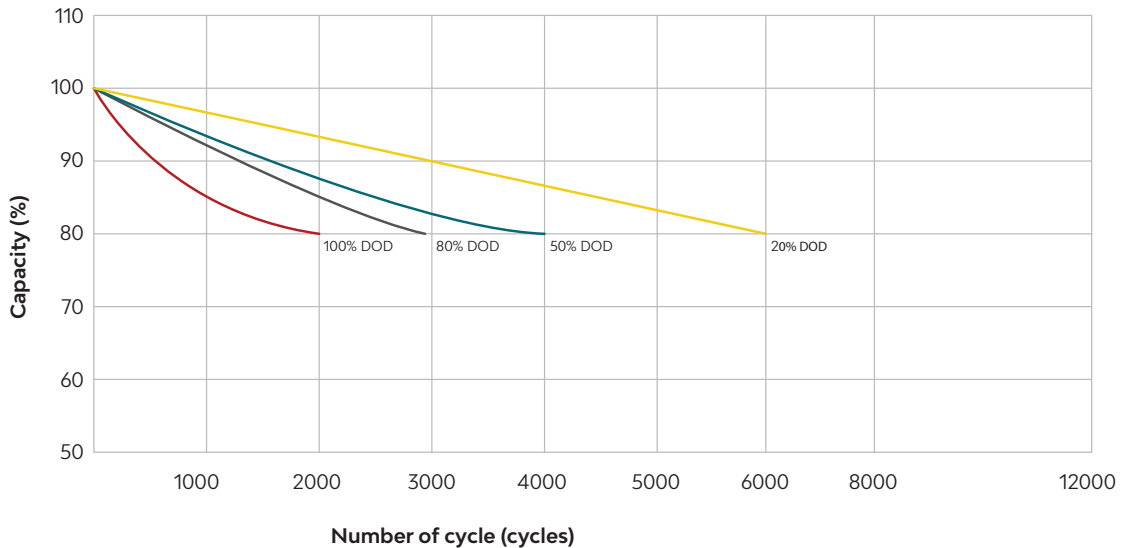
Temperature effects on capacity at 0.2C



Charge and Discharge at 25°C, 0.2C



Cycle life with DOD at 25°C, 0.2C



RM12-120LFPSL

FEATURES & BENEFITS

**High cycle life**

> 3000@80%
> 3000 cycles @80% DoD for effectively lower total cost

**Longer service life**

Low maintenance batteries with stable chemistry.
Easily monitor state of charge (SoC) of smart models

**Built in circuit protection**

Battery Management Systems (BMS) are incorporated
against abuse

**Better storage**

Up to 6 months thanks to its extremely low self
discharge (LSD) rate and no risk of sulphation

**Quickly recharge**

Save time and increase productivity with less down time
thanks to superior charge/discharge efficiency

**Extreme heat tolerance**

Suitable for use in a wider range of applications where
ambient temperature is unusually high: up to +60°C

**Lightweight**

Lithium batteries provide more Wh/Kg while also being
up to 1/3 the weight of its SLA equivalent

FEATURES & BENEFITS

Lithium Iron Phosphate can be used in most applications that
use Lead Acid, GEL or AGM type batteries.
Suitable applications include:

- Caravan
- Marine
- Golf Car
- Buggies
- Solar Storage
- Remote Monitoring
- Switching applications and more

CAUTIONS

- **Do NOT** short circuit, crush or disassemble.
- **Do NOT** heat or incinerate.
- **Do NOT** immerse in any liquid.
- Store at 50% capacity. Recharge every 3 months.
The storage area should be clean, cool, dry and ventilated.

Performance may vary depending on application. All specifications are subject to change without prior notice to the user.
This data is for evaluation purposes only.

No guarantee is intended or implied by this data. For clarification and updated information, please contact us.

