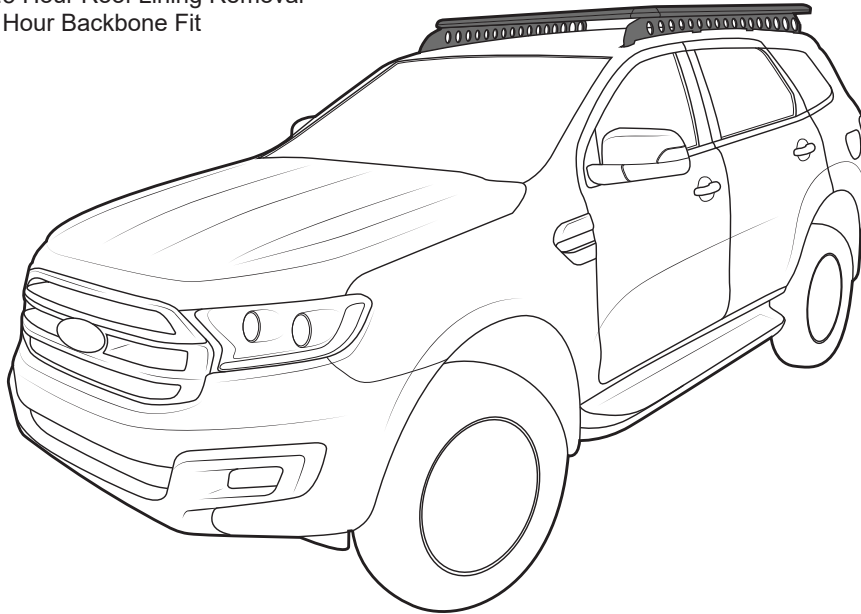


RHINO-RACK

Ford Everest Backbone - RFEB1

Fit Time: 1.5 Hour Roof Lining Removal
1 Hour Backbone Fit



Important Information

Maximum carrying capacity:

Suitable Pioneers	On Road Cargo Allowance	Off Road Cargo Allowance	Static Allowance	Roof Allowance	Rack Weight
42102B	69kg / 152lb	49kg / 108lb	329kg / 725lb	100kg / 220lb	31kg / 68lb
45102B	66.5kg / 147lb	46.5kg / 103lb	326.5kg / 720lb		33.5kg / 74lb
41102	63.5kg / 140lb	43.5kg / 96lb	323.5kg / 713lb		36.5kg / 80lb

Roof Allowance: Total permissible weight attached to the roof of the car. This is inclusive of the weight of the roof rack system

Cargo Allowance: Total permissible weight allowed on top, and attached to roof racks whilst the vehicle is in motion

Static Allowance: Total permissible weight allowed on top, and attached to roof racks whilst the vehicle is stationary

Please refer to your vehicle manufacturers handbook for maximum carrying capacity. Always use the lower of the two figures. Load must be evenly distributed over the entire Pioneer. Weight of roof rack accessories is to be included in cargo allowance.

Torque settings

Unless stated otherwise in these instructions, all fasteners should be set to the following torque settings -

M6: 4-5Nm (3-4lbs/ft), M8: 8-10Nm (6-7.5lbs/ft) and M10: 16-18Nm (12-13lbs/ft).

Warning:

- Check Part No. and/ or Kit is correct for use with your vehicle
- Do not attempt to fit the rack system to your vehicle unless you fully understand these fitting instructions. Please direct any questions regarding fitting to the dealer from where the roof racks were purchased.
- **Use only non-stretch fastening ropes or straps.**
- The handling characteristics of the vehicle changes when you transport a load on the roof. For safety reasons we recommend you exercise extreme care when transporting wind-resistant loads. Special consideration must be taken into account when cornering and braking.
- Although the system is tested and approved to AS1235-2000 / ISO 11154, off-road conditions can be much more rigorous. Extreme care must be taken in off road conditions

Recommendations:

It is essential that all bolt connections be checked after driving a short distance when you first install your roof racks. Bolt connections should be checked again at regular intervals (once a week is enough, depending on road conditions, usage, loads and distances travelled). You should also check the roof racks each time they are re-fitted. Always make sure to fasten your load securely. Please also ensure that all loads are evenly distributed and that the centre of gravity is kept as low as possible and must be entirely contained within the extents of the roof racks.

Note for Dealers and Fitters:

It is your responsibility to ensure these fitting instructions are given to the end user or client

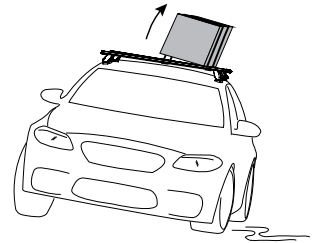
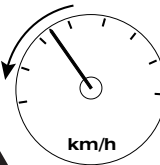
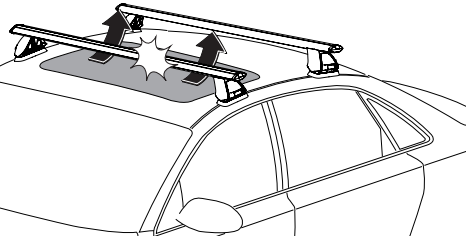
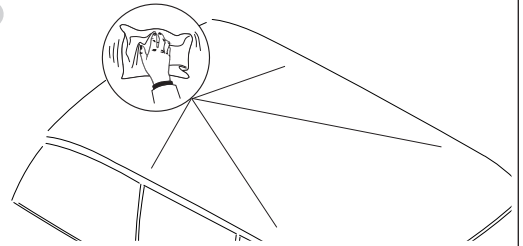
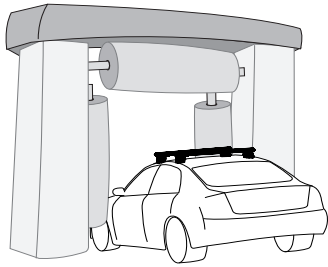
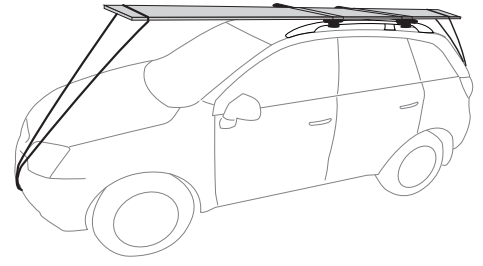
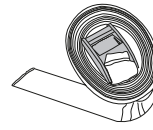
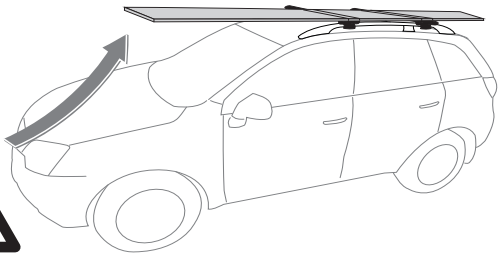
Rhino-Rack, 3 Pike St, Rydalmere
NSW 2116, Australia
(02) 8846 1900
rhinorack.com.au

Document No: R1445
Prepared By: KE
Authorised By: WD

Issue No: 03
Issue Date: 14/06/2019

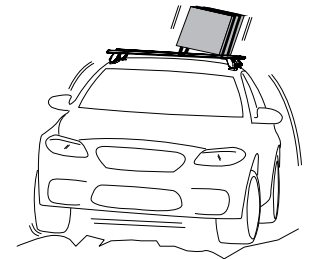
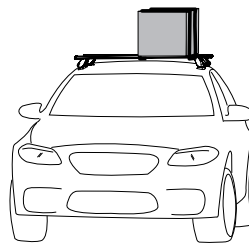
These instructions remain the property of Rhino-Rack Australia Pty. Ltd. and may not be used or changed for any other purpose than intended.

Ford Everest Backbone - RFEB1

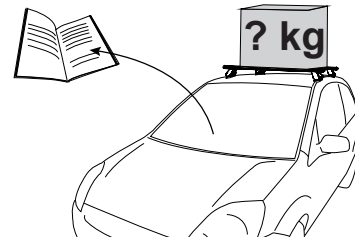
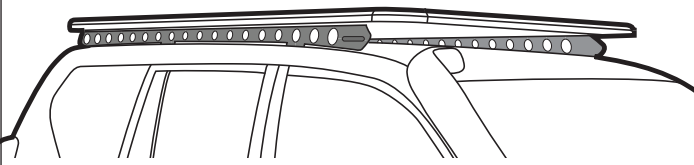


The handling characteristics of the vehicle changes when you transport a load on the roof. For safety reasons we recommend you exercise extreme care when transporting wind-resistant loads. Special consideration must be taken into account when cornering and braking.

Although the system is tested and approved to AS1235-2000 / ISO 11154, off-road conditions can be much more rigorous. Extreme care must be taken in off road conditions



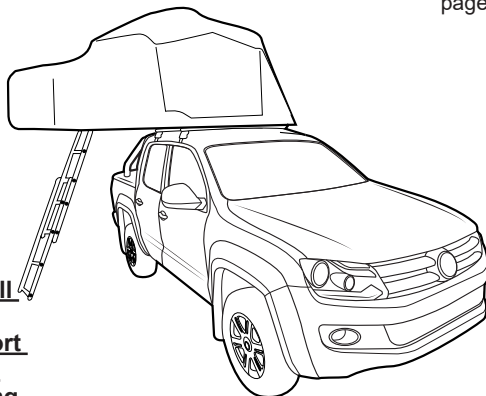
System Weight: 31kg - 36.5kg



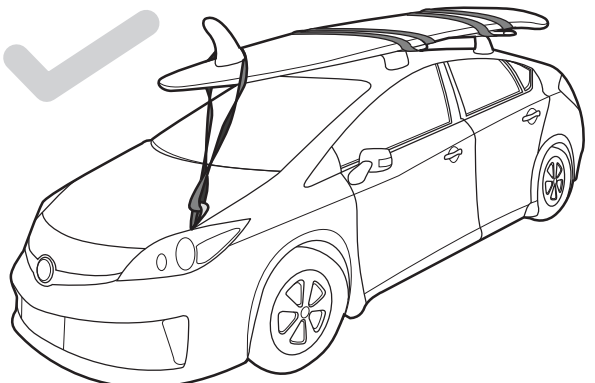
Static Load Rating: refer to front page



Ensure Ladder is well supported on the ground to help support tent. Take extreme caution when climbing heights above 1.2m/4ft.

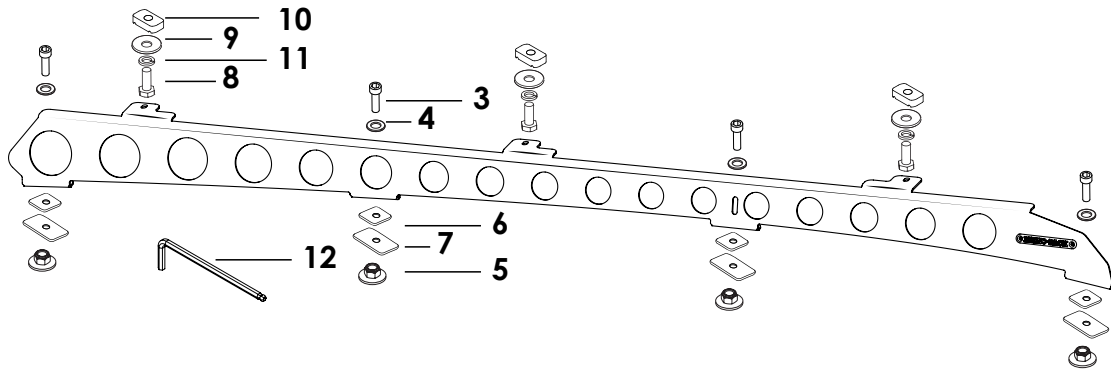


Paddle/ Surfboards should be fixed to the front of the vehicle.



Ford Everest Backbone - RFEB1

Parts List



Item	RFEB1 Kit	Qty	Part No.
1	Ford Everest Backbone LHS	1	CA1739
2	Ford Everest Backbone RHS	1	CA1740
3	M6 × 20mm Socket Head Cap Screw	8	B054
4	M6 × 18mm Flat Washer	16	W031
5	M6 Nyloc Washer Combination	8	N076
6	Butyl Patch 40 × 25mm	8	CA1260
7	Butyl Patch 20 × 20mm	8	CA1266

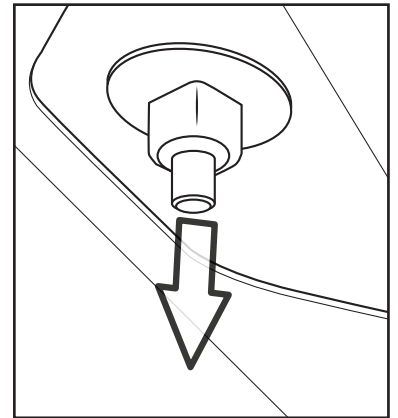
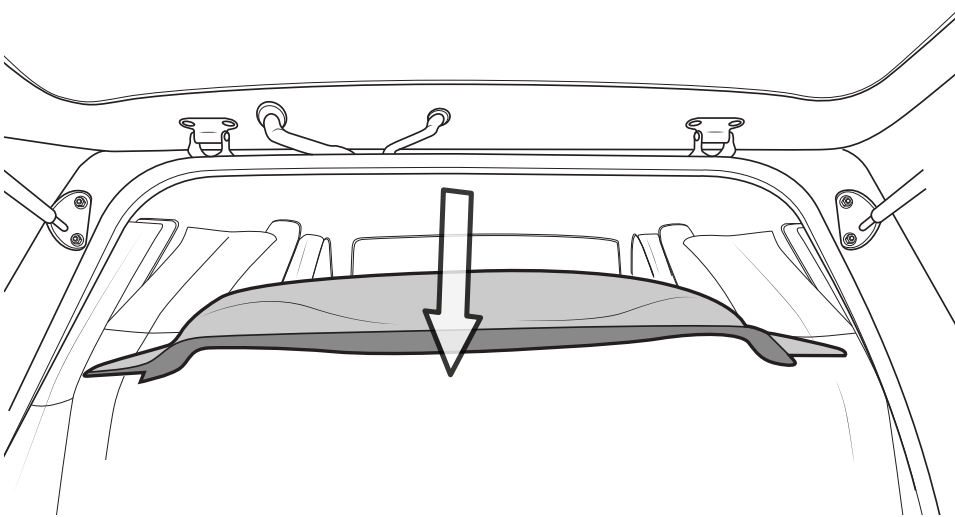
8	M8 × 20 Hex Bolt	6	B020
9	M8 × 24 Flat Washer	6	W043
10	M8 Channel Nut	6	N003
11	M8 Spring Washer	6	W019
12	5mm Ball End Allen Key	1	
13	Instructions	1	R1445

Tools Required:

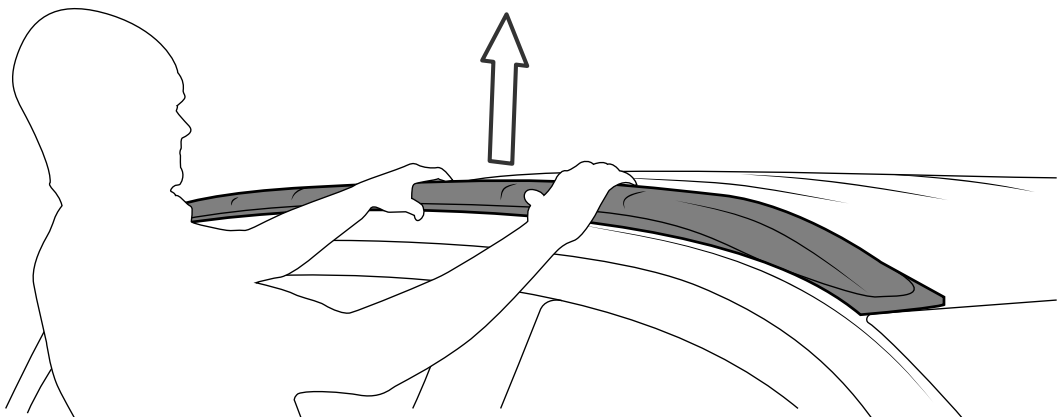
- 13mm Ring Spanner
- 10mm Socket with Extension

Instructions

- 1 This Backbone fit requires factory rails to be removed from the vehicle. To achieve this the hood lining must be carefully dropped. This will allow access to the factory nuts and washers installed under the roof rail. Unscrew these to remove the roof rail. There are 4 nuts to remove for each rail.

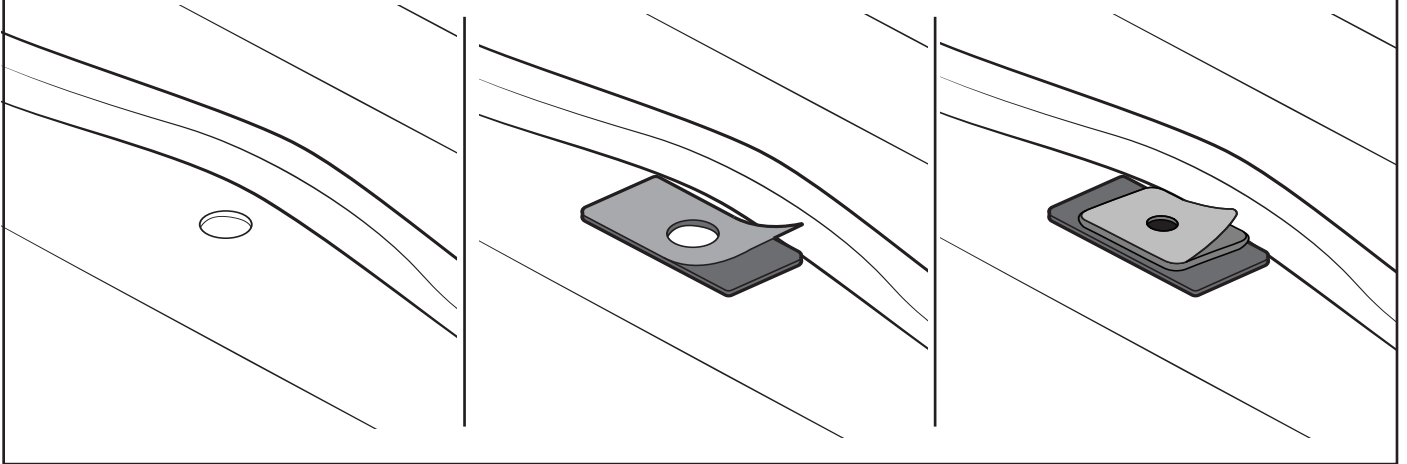


With the factory hardware removed, carefully lift the rails from the roof of the vehicle.

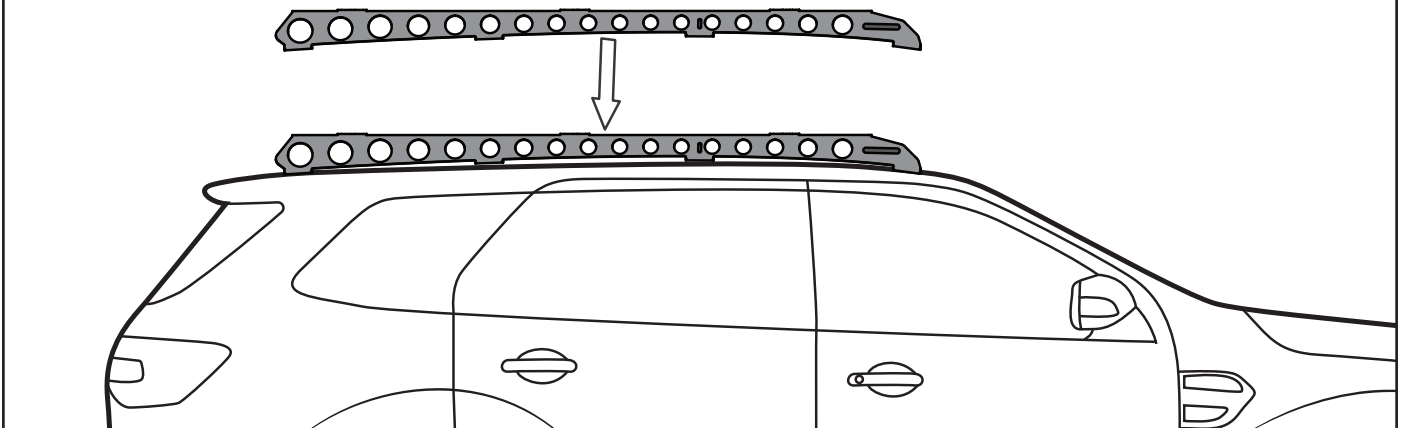


Ford Everest Backbone - RFEB1

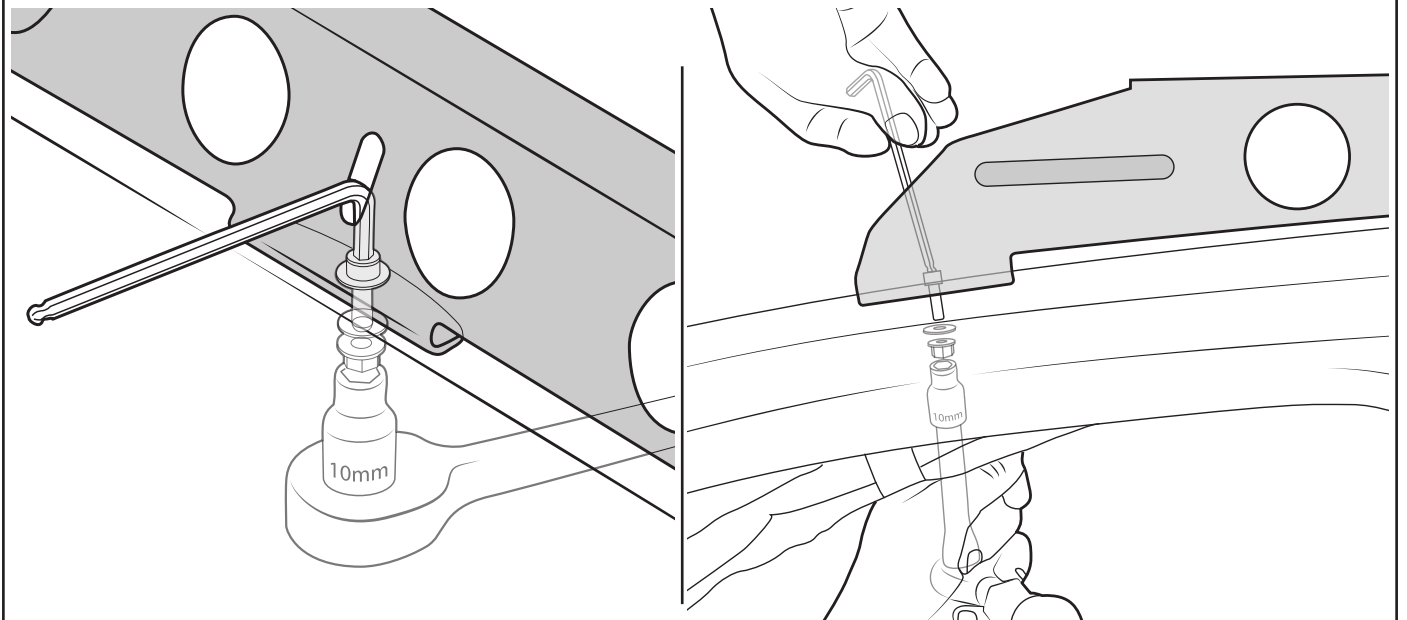
- 2** 1. Peel off one side of backing tape on the large butyl patches provided. Place over the top of the exposed factory holes. Remove the top layer of backing.
2. Remove the backing tape off the smaller butyl patches and place these over the top of the larger butyl patches. Again, Remove the top layer of tape from the butyl patch.



- 3** Place one side of the Backbone onto the roof of the vehicle. Line up the mounting points of the bracket to the holes exposed on the roof in the previous steps.

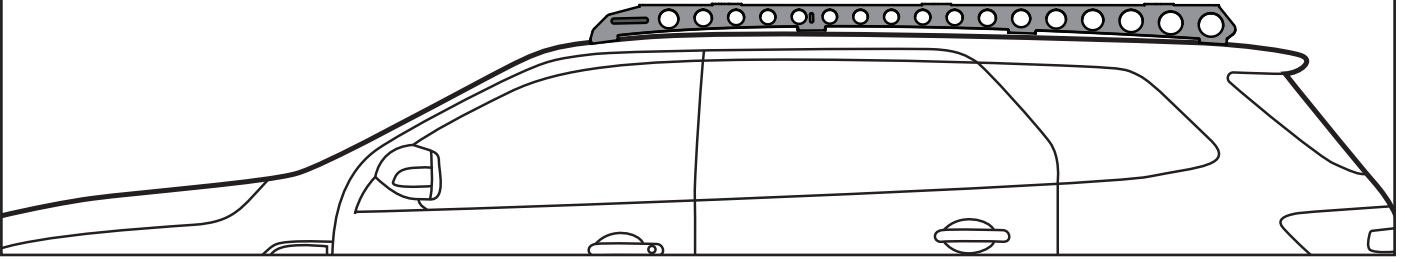


- 4** Fasten the backbone into place using the provided M6 Hardware; M6 × 20 Socket Head Screw, M6 Flat Washer, and M6 Combination Nyloc

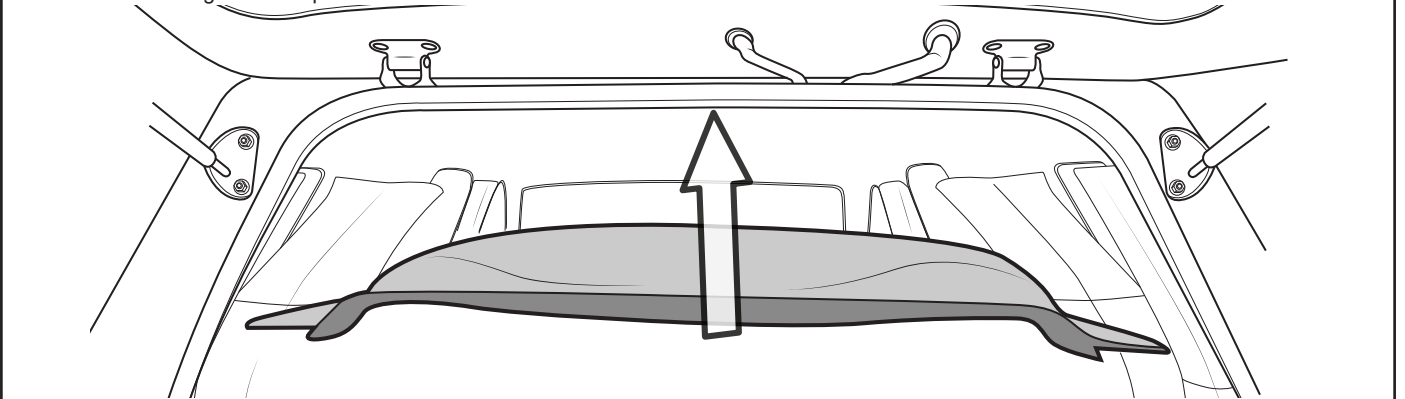


Ford Everest Backbone - RFEB1

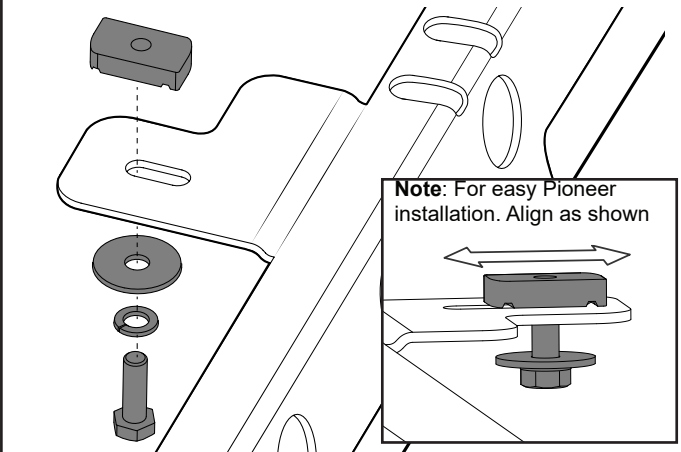
- 5** Repeat steps 2-4 for securing opposite side Backbone rail. Ensure both Backbones are securely positioned on the car. Check each bolt before proceeding to attaching the Pioneer tray to the backbone rails.



- 6** Refit roof lining back into position.

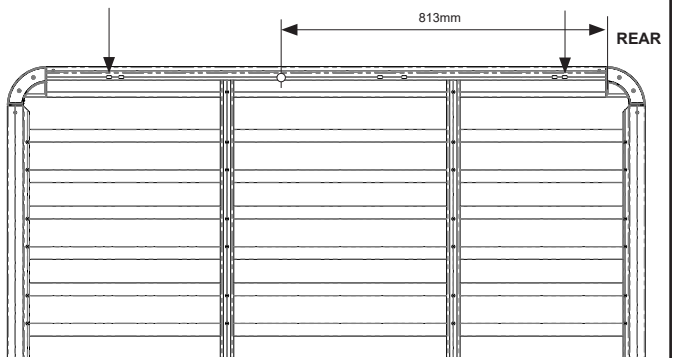


- 7** Assemble M8 hardware as pictured below. Complete this for the six tabs on top of the backbone rails (3 each rail).

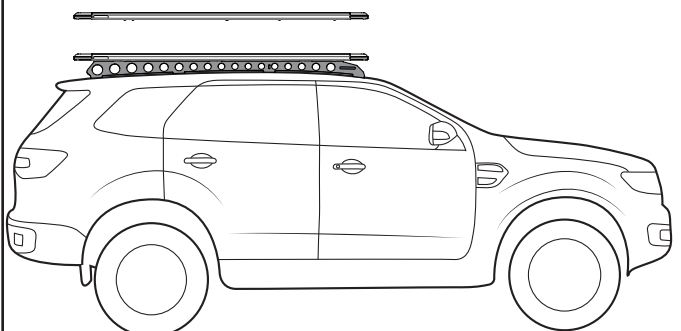


- 8** Install Pioneer underbars into positions indicated. For detailed instruction - refer to pioneer fitting sheets.

1928mm long trays (42102, 45102, 41102)



- 10** After underbars have been correctly fitted, place the Pioneer tray on top of the Backbone rails. Align the underbars with the top tabs and ensure the M8 hardware fits into underbar channel.



- 11** Once Pioneer underbars have been aligned properly, tighten all M8 hardware using 13mm socket wrench or 13mm spanner. Ensure channel nut has rotated within Pioneer underbar and is fixing Pioneer securely.

