

INSTALLATION OF 'OUTBACK' ROOF CONSOLE

PRADO 120 series 02/03 – 09/09

Part No: RCPR03

Failure to connect coloured wiring correctly and tape up all connections as described in following instructions will result in an electrical short and void console warranty.

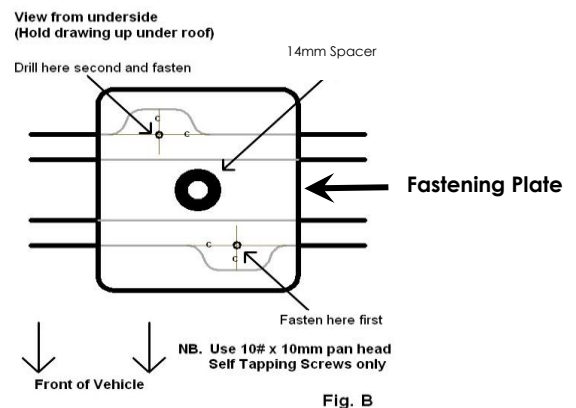
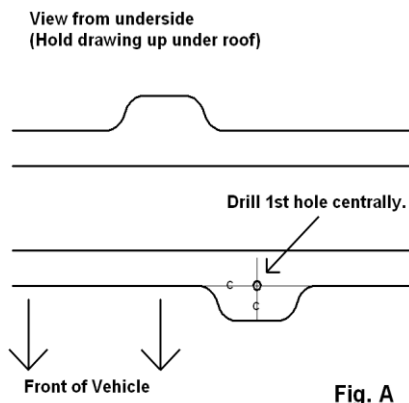
For this installation you will need a **hand held** Phillips screwdriver, **short** Phillips screwdriver, electric or battery drill, 'stubby' 3.5mm drill bit, steel ruler and insulation tape.

VEHICLE PREPARATION:

Swing Sun Visors around to side and lay flat to roof for ease of installation.

Remove map light assembly. To do this, slide a steel ruler up under **front** edge of light surround (front edge facing windscreen). Lever map light assembly downwards slightly; grip with fingers and pull down out of holding clips. Remove interior light in the same fashion; put both in a safe place for refit upon sale of vehicle.

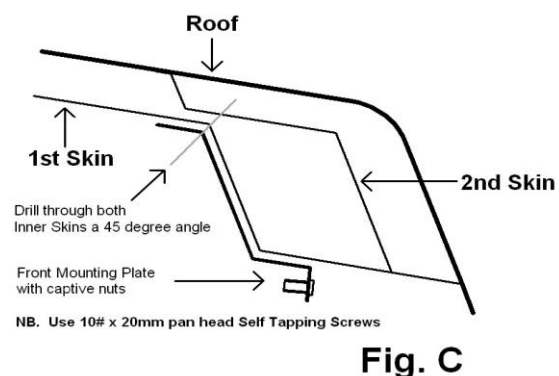
Rear Fixing Plate Installation: Insert 'stubby' 3.5mm drill bit into electric or battery drill ensuring **only 20mm** of drill bit protrudes from chuck. From where you have removed the interior light **carefully** drill a hole centrally in one of the 'ears' located in the roof support frame (see Fig. A below). Using a **hand held** Phillips screw driver fix Fastening Plate to drilled hole with a 10# x 10mm self tapping screw ensuring captive nut points **downwards**. Now carefully drill through other hole in plate and fasten using remaining 10# x 10mm screw. Press fit 14mm plastic spacer over captive nut (see Fig. B below).



Fasten Rear Fixing Plate through the marked hole into Fastening Plate using 6mm x 20mm round head bolt ensuring captive nuts are to **front** of vehicle and point **down**.

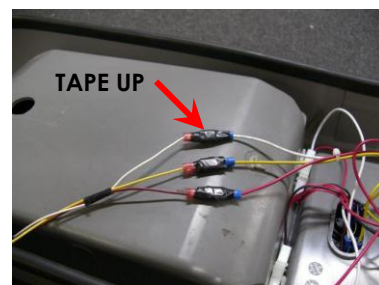


Front Mounting Bracket Installation: Hold Front Mounting Bracket hard forward against front of hole in hood lining (from where you removed map lights) and up against metal inner skin of roof frame. Ensure captive nuts are to **rear** of vehicle and use same 3.5mm drill bit with **only 20mm** protruding and carefully drill through **one** hole in bracket at 45 degrees to the hole. **Note:** Drill through **first** and **second** inner skins at these points. Fasten bracket to drilled hole using **hand held** phillips screw driver and one of the 10# x 20mm pan head screws. Drill through the other hole in the same manner; fasten using other 10# x 20mm pan head screw.



Comfortable work position: Slide seats all way back, if right handed sit in passenger seat; if left handed, sit in driver seat.

Installation preparation: Connect wiring extension supplied to console wiring loom; connect **red** to **red**, **white** to **white** and **yellow** to **yellow**. Tape up all connections.



Use 'Blu-Tack' in fit kit to adhere one of the 6mm x 25mm round head bolts to Phillips head screw driver and store in convenient location, eg: on seat of vehicle or in/on centre console.

CONSOLE INSTALLATION:

Stand console up on front seat and plug **yellow**, **white** and **red** console wires into interior light plug (as per Fig. D). Check that console lights work independently once doors are shut and timer switches off then tape up to ensure wires do not become disconnected.

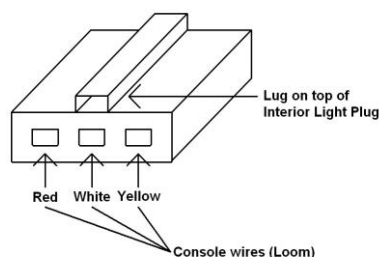


Fig. D



Hold console up in position **over** Front Mounting Bracket ensuring bracket fits in between front of console and rear of radio surround/storage tray. Look up under rear mounting hole; line up captive nuts in Rear Fixing Plate with slotted fastening holes, tuck wiring loom out of way so as not jam between console body and rear mounting plate. Using the 6mm x 25mm round head bolt 'Blu-Tacked' to your Phillips screw driver **loosely** fasten console up to Rear Fixing Plate.

Using a **short** Philips head screw driver fasten front of console to Front Mounting Bracket using the two (2) 6mm x 16mm **black** round head Phillips bolts, to do this push up hard on front of console, use rear view mirror to help line up captive nuts, do bolts up tight.

'Blu-Tack' other 6mm x 25mm bolt to screw driver and **loosely** fasten into Rear Fixing Plate. Check first by measurement that rear of console is **centered** in vehicle then tighten rear bolts. **NOTE:** Only tighten rear bolts up firm so console is held to roof. **DO NOT** keep tightening so as to bend rear mounting plate downwards. Do rear bolts up with equal tension.

Open Locker Box and remove Microphone Cable Holder and Mounting Hole Cover from inside; fasten Cover in place using screws supplied. Fasten Microphone Cable Holder in place as per radio installation instructions.

There is an on/off switch located in front of front lights, when off it acts as a kill switch and no lights will work; when on lights work independently as map/interior lights when doors are shut and timer switches off; when doors are opened lights will work as door/interior lights.

Fit Kit: RCPR03

- One (1) Front Mounting Bracket
- One (1) Rear Fixing Plate
- One (1) Fastening Plate with 14mm plastic spacer
- One (1) Wiring extension
- Two (2) 10# x 10mm Phillips self tapping screws
- Two (2) 6mm x 16mm **black** round head Phillips bolts

- Two (2) 10# x 20mm Phillips self tapping screws
- One (1) 6mm x 20mm round head Phillips bolt
- Two (2) 6mm x 25mm round head Phillips bolts
- One (1) Small piece of 'Blu-Tack'
- Three (3) x 100mm Sticky back foam pieces

RADIO INSTALLATION

Radio Insert Installation: for smaller size radios

PLEASE NOTE: Radio Inserts NOT INCLUDED.

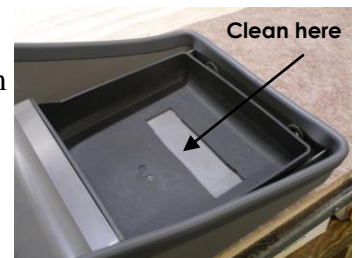
Decorative side of insert faces outwards and snaps out over bottom of tray surround.

To install insert, squeeze top and bottom together; push/bend sides and squeeze into tray surround from inside to outside until bottom lip on decorative side of insert snaps/pops out over bottom of tray surround, prize with fingers to ensure bottom lip of insert is in place over tray surround as described. **Do not** scratch or mark insert or surround by prising/levering with tools; use hands/fingers only.



Radio Installation:

Place protective cover on work bench to avoid scratching console. Place console on protective cover and using a sharp knife cut a 30mm x 100mm section out of storage tray 25mm in from where rear of radio will be when installed. Use a small amount of methylated spirits on a clean cloth to clean exposed part of console and bottom rear of radio.



Peel one side of protective backing from foam strip supplied; apply pressure with palm of hand to adhere foam to exposed part of console. Peel backing off other side of foam strip and add one or more strips of foam to suit different size radios (see chart below). This will keep radio level with bottom of surround.



Insert radio on an angle until radio protrudes 15mm out over bottom of tray surround or insert and straighten; lay flat onto sticky back foam and apply firm pressure to top of radio with palm of hand for 30 seconds to ensure good adhesion.



Sticky back foam chart:

- One (1) strip- standard size radios
- Two (2) strips- Icom and Uniden
- Three (3) strips- GME Electrophone

Microphone and Microphone Cable Holder installation:

Install in a position that suits best, depending on vehicle and Radio model. Ensure microphone or microphone cable and holder does not foul on sun visor when pulled down.



Microphone clip on slight angle



Left hand cable outlet radios



Microphone clip on acute angle