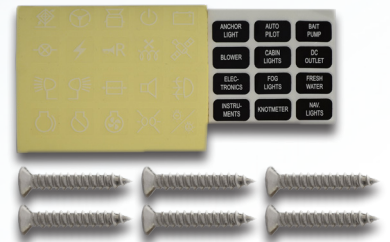


Product Release

6 WAY CONTROL PANEL

Features:

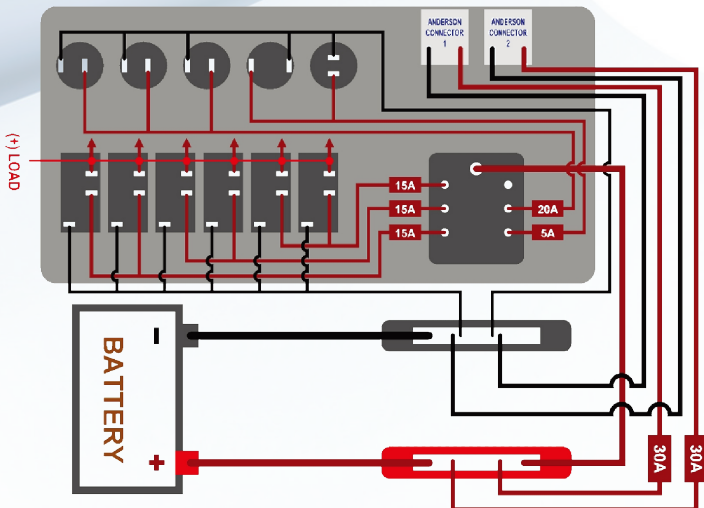
- Input Power: 12/24V via 50A Anderson Type Connector x 2
- Output x 6 via Rocker Switch with Blue ill Rated @ 12V/20A; 24V/10A
- DC Socket Output x 2 Rated @ 12V/20A; 24V/10A
- Engel Socket Output Rated @ 12V/20A; 24V/10A
- Dual USB Output x 2: QC3.0A; C-Type 4.0A
- 12/24V Voltmeter with LED Display
- 6 Way Fuse Box Rated @ 32V/100A Max
- Internal Bus Bar x 2 (150A 32V DC Max)
- Internal Wiring Size: 10AWG & 14AWG
- C/W Fuses: 5A x 1, 15A x 3, 20A x 1, 30A x 2
- Shell Material: Black Nylon
- Dimensions: 355(L) x 180(W) x 138(H) mm
- Sticker Set & Mounting Screws Included
- Applications: 4WD's, Caravans, RV's



PRODUCT INFORMATION

| Part No. | Barcode |
|----------|---------------|
| LV5184 | 9342828224048 |

Wiring Diagram:



Dimensions:

