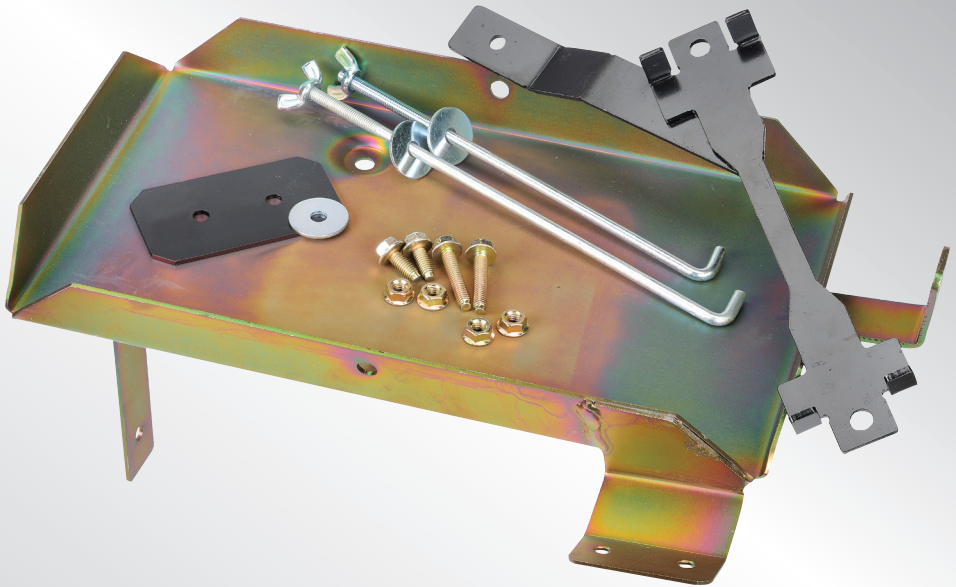


HEAVY DUTY DUAL BATTERY TRAY

Tray Fitting Instructions to suit Auxiliary battery for
TOYOTA PRADO 150 SERIES (Not suitable for Kakadu Version)

Years: 2015 onwards

Models: 2.8 Litre TDI



IMPORTANT SAFETY INFORMATION

Please read this instruction thoroughly before fitting the tray.

This product is recommend to be fitted by a workshop or qualified mechanical person.

WARNINGS

- Before installation, make sure that the vehicle is stationary and the wheels chocked.
- Be careful when laying wires, not to cause any electrical shorts or wire breakage.
- After installation ensure the bonnet can close without hitting the newly installed battery and battery tray.
- Ensure original parts and pipes have sufficient clearance from the tray and battery. Push them away from the tray if required.

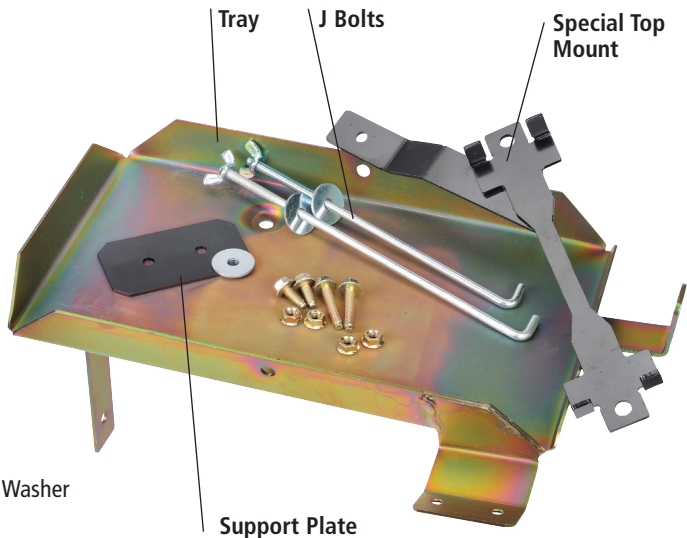
SPECIFICATIONS

Max Battery Size (mm)	L300 x W174 x H220
Max Battery Weight	23Kg
Recommended batteries	Exide LCS27-97 & Century N70TMF
Approximate fitting time	1 hour
Recommended Dual Battery System	P/No: IDC25
Tray Location	Engine bay, drivers side front

KIT INCLUDES

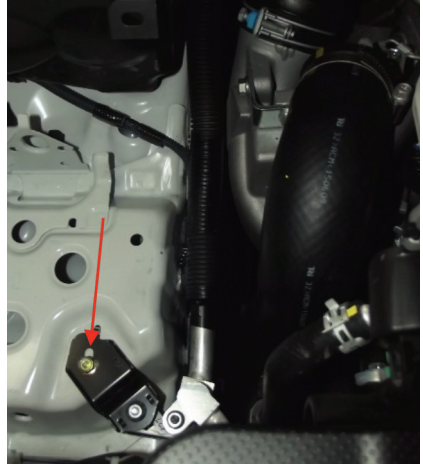
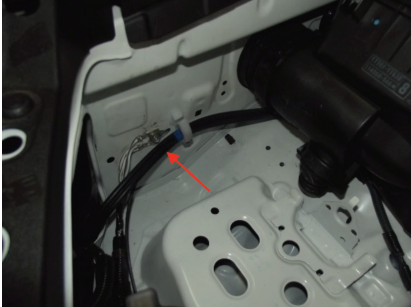
Hardware

- 3 x M6 Wizlock Nuts
- 4 x M6 Bolts (15mm)
- 1 x M6 Bolts (30mm)
- 1 x M6 x 26mm Body Washer
- 1 x M6 Nut

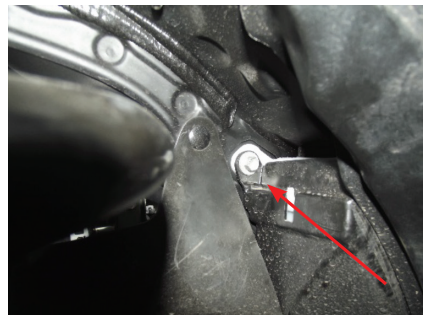


FITTING INSTRUCTIONS

1. Make sure that the vehicle is stationary, the engine is switched off and cool. Disconnect the negative terminal from the main battery.
2. Locate area for tray. Left of the radiator at the front.
3. Remove OE bolts from earth plate in inner guard and A/C support bracket near tray area.



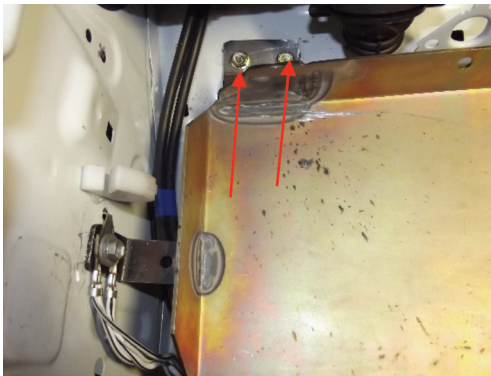
4. Remove plastic electrical cable mount, inner skirt below A/C pipe.
5. Remove front half of inner wheel arch guard liner and remove indicated OE bolt and install the supplied M6 x 30mm long bolt from inside the inner guard partially into engine bay.



6. Fit tray in position pushing the M6 bolt that is out of the guard through the hole on the lower arm of the tray.
7. Bolt tray in, put earth plate over tray arm.



8. Drill two M6 holes through tray bracket into wheel arch.



9. Place 2 x M6 bolt (15mm) through the drilled holes with the support bracket on the underside of the wheel arch. Tighten bolts with M6 nuts.

10. Remove the M6 x 30mm bolt from inside the inner guard, refit inner guard liner, replace M6 x 30mm bolt with body washer and tighten to the lower tray arm using the M6 nut.



11. Fit battery.
12. Fit special top mount and using the M6 bolt and nut, secure to the front radiator support panel.



13. Use longer "J" bolt to attach to vehicle mounting point located in front of air box. Tighten battery into position.



14. Reconnect the negative battery terminal to the main starter battery. Before closing the bonnet make sure the battery and tray do not hit the bonnet.

For assistance throughout the installation procedure please call our customer service representatives on 1800 113 443.

NOTES

WARRANTY STATEMENT

APPLICABLE ONLY TO PRODUCT SOLD IN AUSTRALIA

Brown & Watson International Pty Ltd of 1500 Ferntree Gully Road, Knoxfield, Vic., telephone (03) 9730 6000, fax (03) 9730 6050, warrants that all products described in its current catalogue (save and except for all bulbs and lenses whether made of glass or some other substance) will under normal use and service be free of failures in material and workmanship for a period of one (1) year (unless this period has been extended as indicated elsewhere) from the date of the original purchase by the consumer as marked on the invoice. This warranty does not cover ordinary wear and tear, abuse, alteration of products or damage caused by the consumer.

To make a warranty claim the consumer must deliver the product at their cost to the original place of purchase or to any other place which may be nominated by either BWI or the retailer from where the product was bought in order that a warranty assessment may be performed. The consumer must also deliver the original invoice evidencing the date and place of purchase together with an explanation in writing as to the nature of the claim.

In the event that the claim is determined to be for a minor failure of the product then BWI reserves the right to repair or replace it at its discretion. In the event that a major failure is determined the consumer will be entitled to a replacement or a refund as well as compensation for any other reasonably foreseeable loss or damage.

This warranty is in addition to any other rights or remedies that the consumer may have under State or Federal legislation.

IMPORTANT NOTE

Our goods come with guarantees that cannot be excluded under the Australian Consumer Law. You are entitled to a replacement or refund for a major failure and compensation for any other reasonably foreseeable loss or damage. You are also entitled to have the goods repaired or replaced if the goods fail to be of acceptable quality and the failure does not amount to a major failure.

Distributed by

AUSTRALIA

Brown & Watson International Pty Ltd

Knoxfield, Victoria 3180

Telephone (03) 9730 6000

Facsimile (03) 9730 6050

National Toll Free 1800 113 443

NEW ZEALAND

Narva New Zealand Ltd

22–24 Olive Road

PO Box 12556 Penrose

Auckland, New Zealand

Telephone (09) 525 4575

Facsimile (09) 579 1192