



# RHINO-RACK

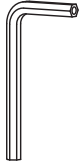
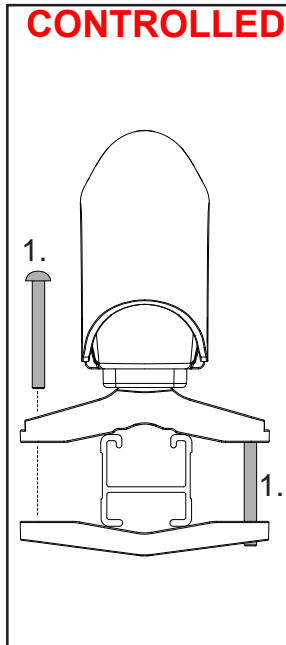
## HD-FK1

**CONTROLLED**

Item	Component Name	Qty	Part No.
1	M6 x 55mm Button Sec Screw	8	B138
2	Instructions	1	R1716

**Note:**  
Intended for use with 562U, 564U and 566U. Screws included in the kit to replace those found in kits stated above.

**Tools Required:**  
5mm Allen Key

Issue: 01 Document No: R1716 Prepared: Kayle Everett



# RHINO-RACK

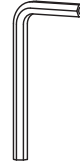
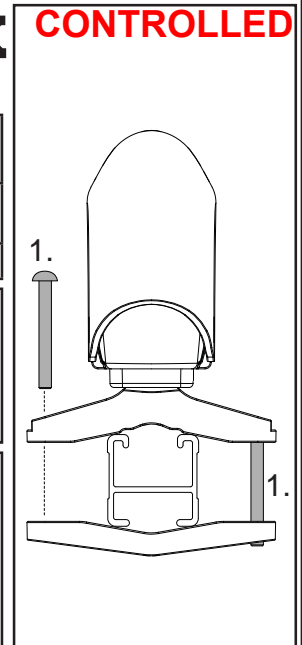
## HD-FK1

**CONTROLLED**

Item	Component Name	Qty	Part No.
1	M6 x 55mm Button Sec Screw	8	B138
2	Instructions	1	R1716

**Note:**  
Intended for use with 562U, 564U and 566U. Screws included in the kit to replace those found in kits stated above.

**Tools Required:**  
5mm Allen Key

Issue: 01 Document No: R1716 Prepared: Kayle Everett



# RHINO-RACK

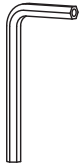
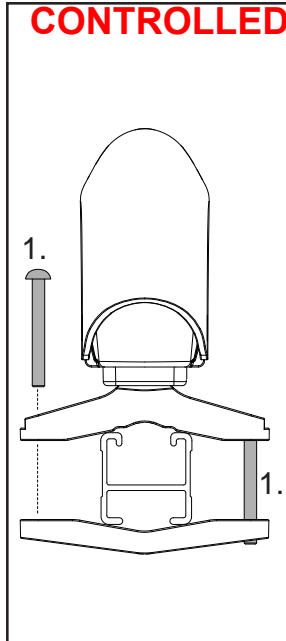
## HD-FK1

**CONTROLLED**

Item	Component Name	Qty	Part No.
1	M6 x 55mm Button Sec Screw	8	B138
2	Instructions	1	R1716

**Note:**  
Intended for use with 562U, 564U and 566U. Screws included in the kit to replace those found in kits stated above.

**Tools Required:**  
5mm Allen Key

Issue: 01 Document No: R1716 Prepared: Kayle Everett



# RHINO-RACK

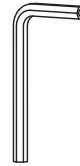
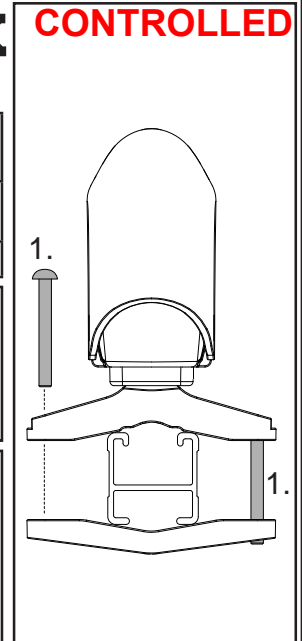
## HD-FK1

**CONTROLLED**

Item	Component Name	Qty	Part No.
1	M6 x 55mm Button Sec Screw	8	B138
2	Instructions	1	R1716

**Note:**  
Intended for use with 562U, 564U and 566U. Screws included in the kit to replace those found in kits stated above.

**Tools Required:**  
5mm Allen Key

Issue: 01 Document No: R1716 Prepared: Kayle Everett



# RHINO-RACK

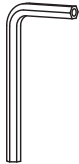
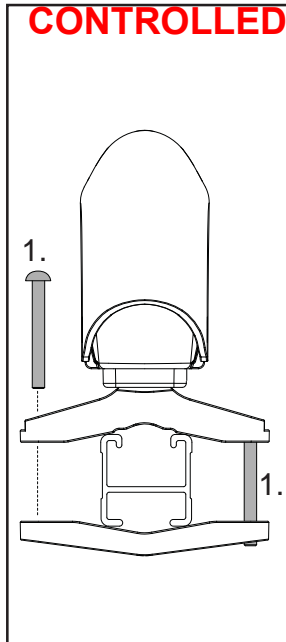
## HD-FK1

**CONTROLLED**

Item	Component Name	Qty	Part No.
1	M6 x 55mm Button Sec Screw	8	B138
2	Instructions	1	R1716

**Note:**  
Intended for use with 562U, 564U and 566U. Screws included in the kit to replace those found in kits stated above.

**Tools Required:**  
5mm Allen Key

Issue: 01 Document No: R1716 Prepared: Kayle Everett



# RHINO-RACK

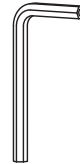
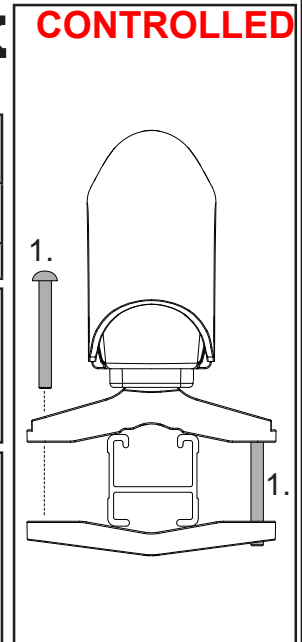
## HD-FK1

**CONTROLLED**

Item	Component Name	Qty	Part No.
1	M6 x 55mm Button Sec Screw	8	B138
2	Instructions	1	R1716

**Note:**  
Intended for use with 562U, 564U and 566U. Screws included in the kit to replace those found in kits stated above.

**Tools Required:**  
5mm Allen Key

Issue: 01 Document No: R1716 Prepared: Kayle Everett