



PEAK SERIES



3500LB ATV



2000LB ATV



2500LB ATV



**3500LB ATV
SYNTHETIC ROPE**

Our 2000 and PEAK Series ATV recovery winches are available in 2000lb, 2500lb and 3500lb rated capacities. Each winch comes with steel cable as standard and the 3500lb has the option of factory fitted genuine Dyneema® SK75 fibre synthetic rope.



MM MEANIMOTHER
LIMITED 12 MONTH WARRANTY
CONDITIONS APPLY*

Mean Mother ATV winches have been designed to be compact and light weight and are ideal for most ATV/UTV vehicles. The 2500lb and 3500lb models are supplied with a universal mounting plate for easy installation. Each model has more than enough power to recover ATV/UTV vehicles from most situations. When selecting a winch you should always select one that is 1.5 times the Gross Vehicle Mass (GVM).

PEAK MECHANICAL:

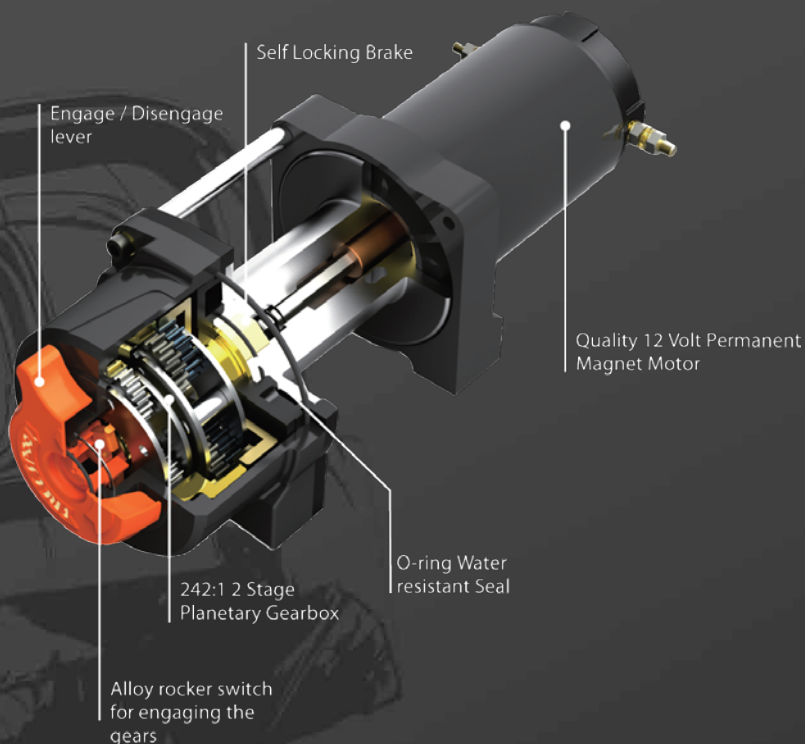
The 2000lb model features a single stage planetary gearbox while the 2500lb and 3500lb models use a two stage planetary gearbox. All the winches in the range have a clutch system allowing the user to disengage the gearbox and free spool the cable.

PEAK ELECTRICAL:

All of the ATV winches use efficient permanent magnet motors. The 2500lb and 3500lb models have a waterproof solenoid and handle bar switch to control forward and reverse functions, while the 2000lb model uses a hand control which is connected directly to the winch. The low amp draw, forward and reverse control and ease of installation makes these winches the perfect choice for ATV/UTV recovery, as well as boat & personal water craft trailers.

*Please refer to our online warranty statement for further details.

PEAK WINCH CROSS-SECTION:



OPTIONAL EXTRAS:

WIRELESS REMOTE UPGRADE KIT



4WD HAND CONTROL

Not suitable for 2000Lb Winch



If you are going to use this winch on a trailer we recommend you do not leave the winch attached to the load when travelling. Always use a safety chain & suitable tie downs to secure the load on the trailer.

MM

MEAN|MOTHER

WWW.MEANMOTHER.COM.AU