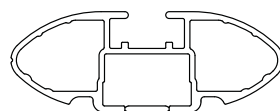




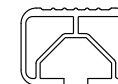
CROSSBAR IDENTIFICATION



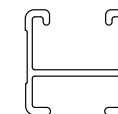
VA crossbar



Steel Euro crossbar



EURO crossbar



HD crossbar

**Instruction for
DK501 and RV0763**

Vehicle	Date	Crossbar	FRONT CROSSBAR					REAR CROSSBAR						
			Front Right Pad/Clamp	Front Left Pad/Clamp	Measurement strip length per side	Measurement strip length per side	Measurement Distance (x)	Foot plate arrow direction	Rear Right Pad/Clamp	Rear Left Pad/Clamp	Measurement strip length per side	Measurement strip length per side	Measurement Distance (x)	Foot plate arrow direction
Holden Commodore Hatch	18-	1260mm	M282 SUB0612	M281 SUB0612	177mm	64mm	1002mm / 39, 29/64"	OUT	M284 SUB0612	M283 SUB0612	161mm	48mm	970mm / 38, 3/16"	OUT
Buick Regal Sportback			Pad Arrow FORWARD						Pad Arrow FORWARD					
Opel Insignia Sportback	17-		Pad Arrow FORWARD						Pad Arrow FORWARD					
Vauxhall Insignia Grandsport			Pad Arrow FORWARD						Pad Arrow FORWARD					



Rhino Rack 2500 Series - DK501 instruction

CONTROLLED

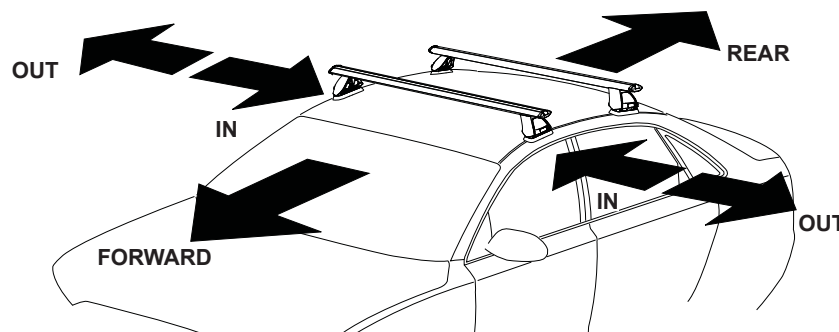
Measurement A: CENTRE of door jamb to CENTRE arrow of leg foot plate.

Measurement B: CENTRE of Front leg foot plate arrow to CENTRE of Rear leg foot plate arrow.

Carrying capacity: Roof rack is rated up to 75kg. Please refer to manufacturers handbook for your vehicles maximum roof load capacity. Always use the lower of the two figures.

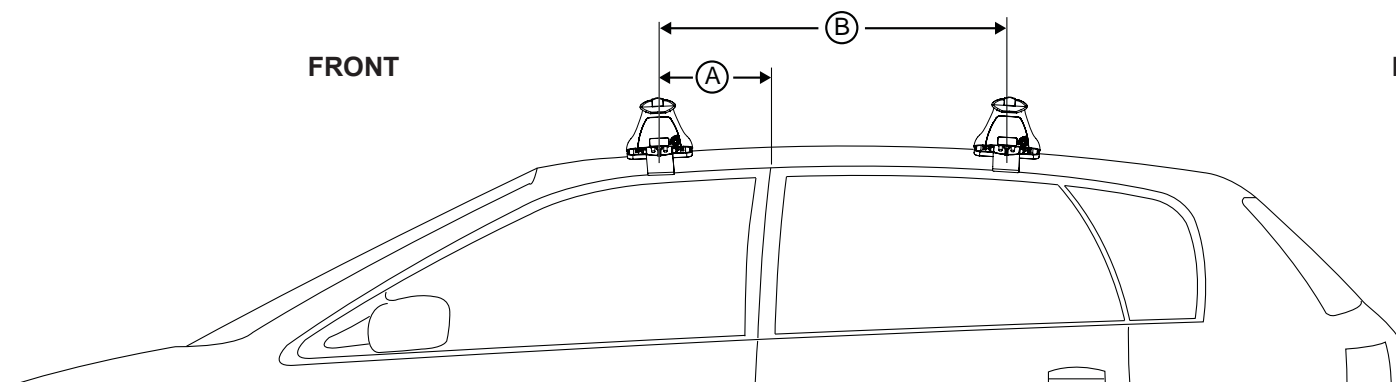
If your vehicle is not listed on this fitting instruction please refer to your countries Rhino-Rack web site for the latest information.

Direction of Pad Arrow
and Foot Plate Arrow



FRONT

REAR



VEHICLE	Date	Measurement A	Measurement B	Load Rating up to (includes racks 5kg/ 11lbs)
Holden Commodore Hatch, Buick Regal Sportback	18-	400mm / 15,3/4"	700mm / 27,9/16"	75kg / 165lbs
Opel Insignia Sportback, Vauxhall Insignia Grandport	17-			75kg / 165lbs