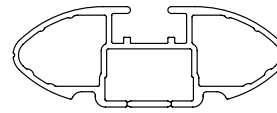
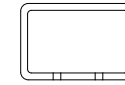




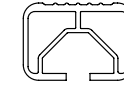
CROSSBAR IDENTIFICATION



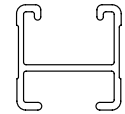
VA crossbar



Steel Euro crossbar



EURO crossbar



HD crossbar

Vehicle	Date	Crossbar	FRONT CROSSBAR					REAR CROSSBAR						
			Front Right Pad/Clamp	Front Left Pad/Clamp	Measurement strip length per side	Measurement strip length per side	Measurement Distance (x)	Foot plate arrow direction	Rear Right Pad/Clamp	Rear Left Pad/Clamp	Measurement strip length per side	Measurement strip length per side	Measurement Distance (x)	Foot plate arrow direction
AUDI Q2 5dr SUV	17 - on	1260mm	M775 SUB0618	M774 SUB0618	168mm	55mm	984mm	OUT	M368 SUB0669	M368 SUB0669	139mm/ 5 15/32"	26mm/ 1 1/32"	926mm/ 36 29/64"	OUT
			OUT						OUT					



Rhino Rack 2500 Series - DK493 instruction

CONTROLLED

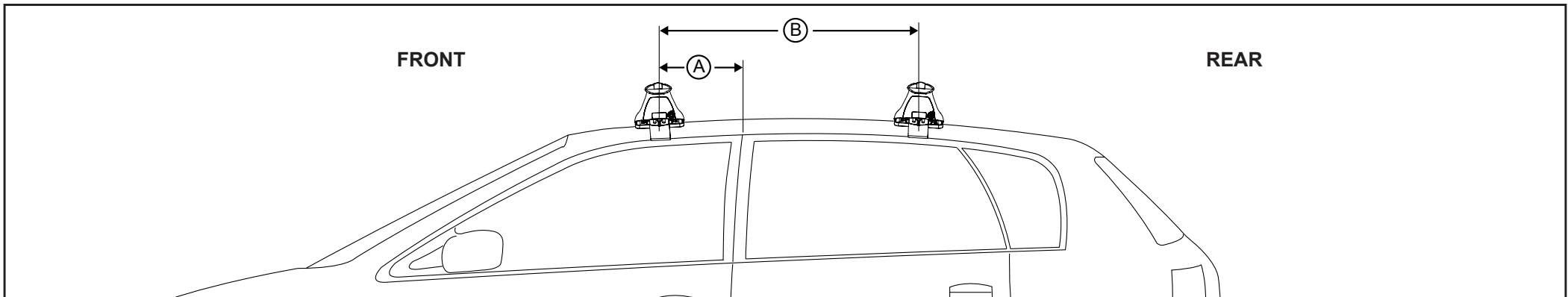
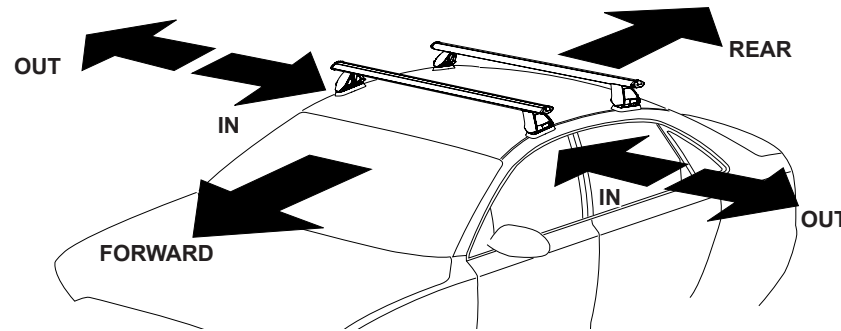
Measurement A: CENTRE of door jamb to CENTRE arrow of leg foot plate.

Measurement B: CENTRE of Front leg foot plate arrow to CENTRE of Rear leg foot plate arrow.

Carrying capacity: Roof rack is rated up to 75kg. Please refer to manufacturers handbook for your vehicles maximum roof load capacity. Always use the lower of the two figures.

If your vehicle is not listed on this fitting instruction please refer to your countries Rhino-Rack web site for the latest information.

Direction of Pad Arrow and Foot Plate Arrow



VEHICLE	Date	Measurement A	Measurement B	Load Rating up to (includes racks 5kg/ 11lbs)
AUDI Q2 5dr SUV	17-	310mm / 12 3/16"	710mm / 27 61/64"	75kg / 165lbs