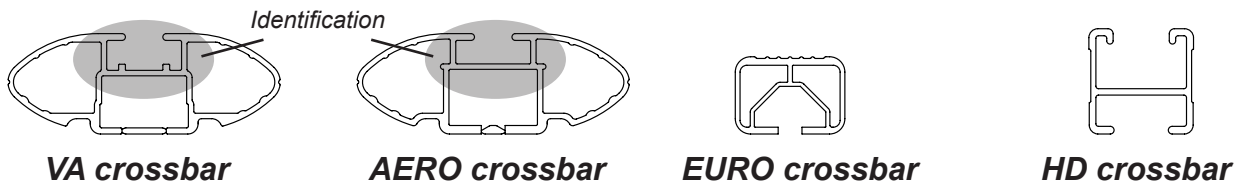




DK056 Rhino-Rack VA, Aero, Euro & HD crossbar instruction

IDENTIFICATION CHART



Vehicle	Date	Crossbar	FRONT CROSSBAR					REAR CROSSBAR				
			Front Right Pad/ Clamp	Front Left Pad/ Clamp	Measurement strip length per side	Measurement strip length per side	Measurement Distance (x)	Foot plate arrow direction	Rear Right Pad/ Clamp	Rear Left Pad/ Clamp	Measurement strip length per side	Measurement strip length per side
Ford Falcon AU-BF 4dr Sedan	09/98-04/08	1180mm	M365 SUB0154	171mm	116mm	910mm / 35,53/64"	OUT	M365 SUB0154	162mm	107mm	892mm / 35,1/8"	OUT
			Arrow FORWARD					Arrow FORWARD				
Ford Falcon AU-BF 4dr Wagon	09/98-04/08	1180mm	M365 SUB0154	169mm	114mm	906mm / 35,43/64"	OUT	M365 SUB0154	152mm	97mm	872mm / 34,21/64"	OUT
			Arrow FORWARD					Arrow FORWARD				
Ford Fairlane/ LTD AU-BF 4dr Sedan	03/99-12/07	1180mm	M365 SUB0154	169mm	114mm	906mm / 35,43/64"	OUT	M365 SUB0154	140mm	85mm	848mm / 33,25/64"	OUT
			Arrow FORWARD					Arrow FORWARD				



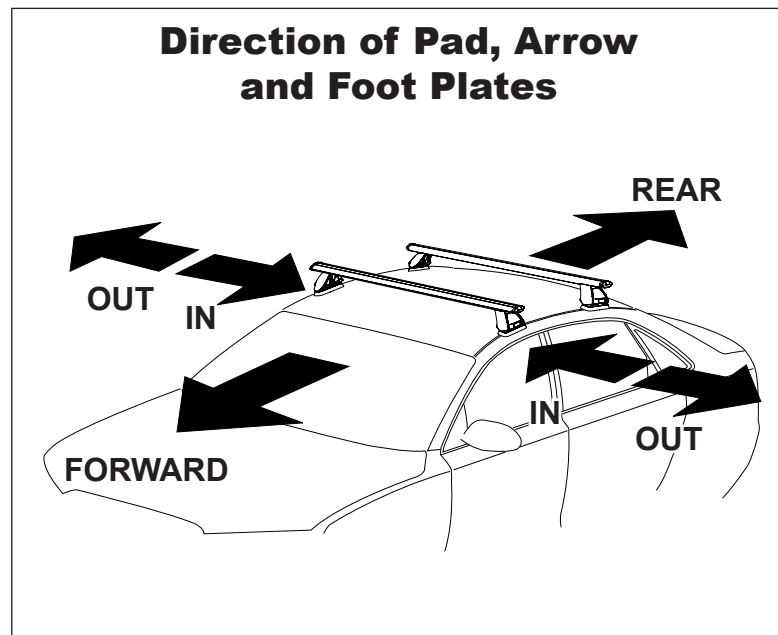
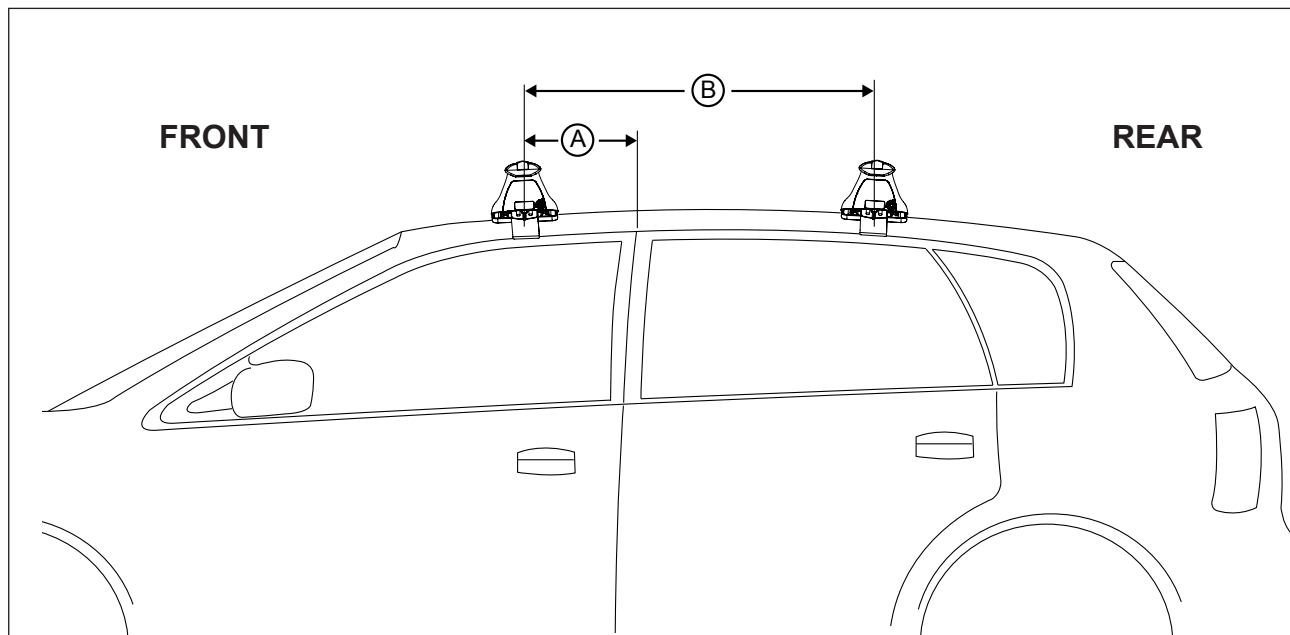
DK056 Rhino-Rack VA, Aero, Euro & HD crossbar instruction

Measurement A: CENTRE of door jamb to CENTRE arrow of leg foot plate.

Measurement B: CENTRE of Front leg foot plate arrow to CENTRE of Rear leg foot plate arrow.

Carrying capacity: Roof rack is rated to 75kg. Please refer to manufacturers handbook for your vehicles maximum roof load capacity. Always use the lower of the two figures.

If your vehicle is not listed on this fitting instruction please refer to your countries Rhino-Rack web site for the latest information.

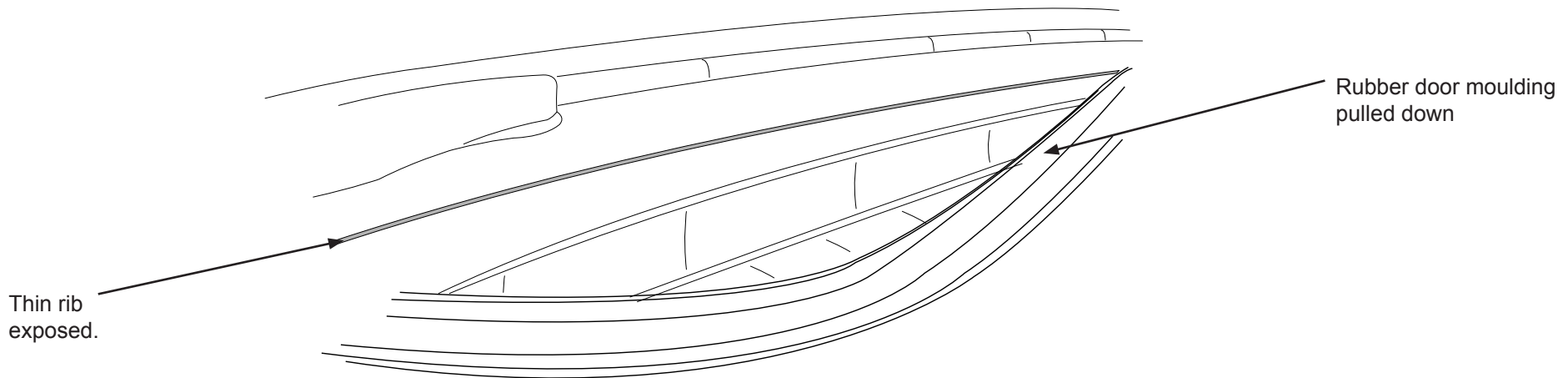


VEHICLE	Date	Measurement A	Measurement B	Load Rating (includes racks 5kg/11lbs)
Ford Falcon AU-BF 4dr Sedan	09/98-04/08	200mm / 7,7/8"	700mm / 27,9/16"	50kg / 110lbs
Ford Falcon AU-BF 4dr Wagon	09/98-04/08	200mm / 7,7/8"	800mm / 31,1/2"	50kg / 110lbs
Ford Fairlane/LTD AU-BF 4dr Sedan	03/99-12/07	300mm / 11,13/16"	700mm / 27,9/16"	50kg / 110lbs

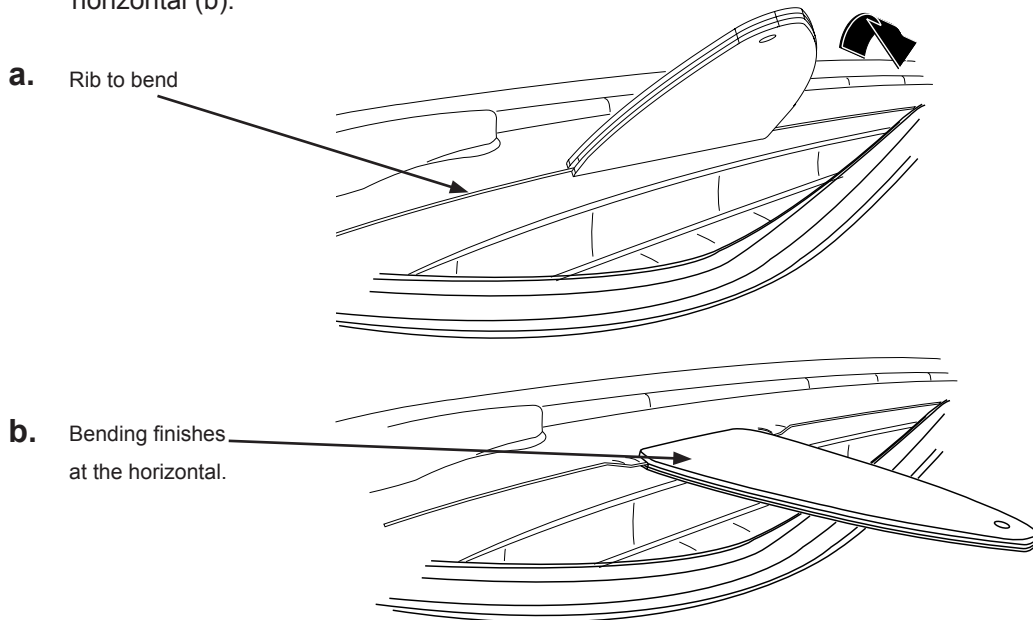


DK056 Rhino-Rack VA, Aero, Euro & HD crossbar instruction

- 1** Open all doors and pull the rubber door moulding down to expose the metal rib.



- 2** Use rib bending tool supplied. Place long and stepped edge of tool over ribbed area of the body work in the door jamb (a). Bend rib down until tool is horizontal (b).



- 3** Fit metal clamp onto thin rib of car body. Position Front and Rear leg/clamp assembly according to the measurements provided. Re-fit moulded rubber.

RIGHT Rear

