

'Piranha Off Road products are not associated in any way with Toyota Australia or any of its related companies'

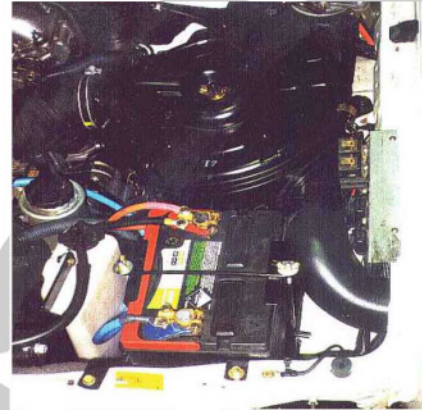
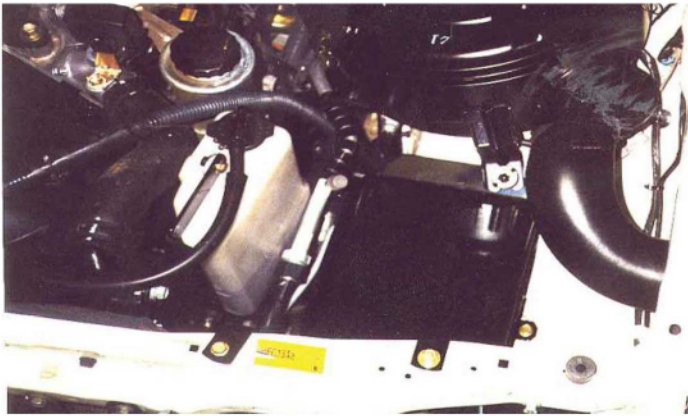
To Suit Toyota HILUX
1KZ-TE 3.0L TURBO DIESEL



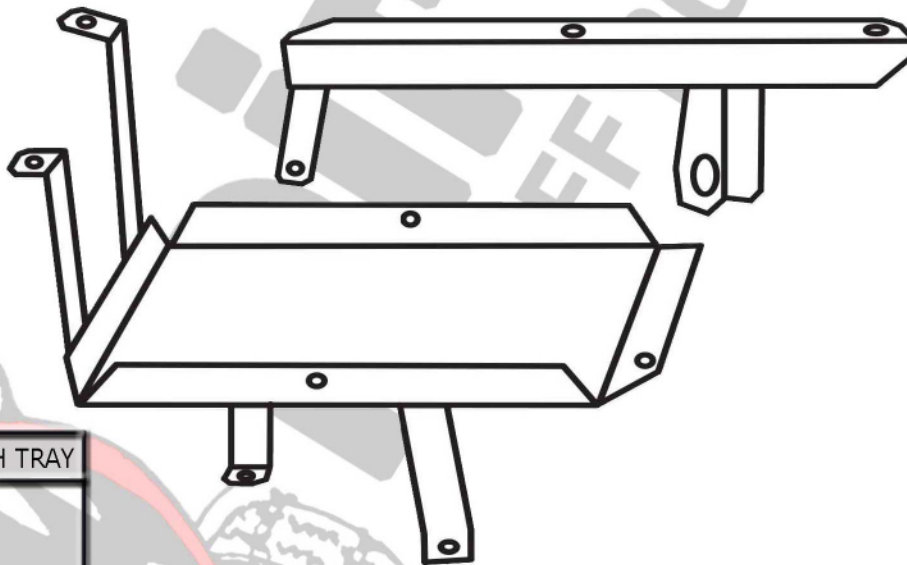
**NOT SUITABLE
FOR SEVERE SERVICE**



**NOT SUITABLE
FOR SELF FIT**



PART NUMBER	BTH3LTD
APPROX FITTING TIME	3 Hour
MAX BATTERY SIZE	235mm L
MAX BATT WEIGHT	16Kg
CYCLE DUTY	Non AGM
TRAY LOCATION	PSF



PARTS INCLUDED WITH TRAY

- 1 X Tray
- 4 X M6 Bolt
- 1 X M6 Countersunk
- 1 X M6 Nut
- 5 X Body Washer
- 2 X J Bolt
- 1 X Universal Top Mount
- 1 X O'Flow Washer Bottle Bracket

RECOMMENDED ISOLATOR

**DBE140SF
or
DBE180-SX**

FITTING INSTRUCTIONS

High Degree of Difficulty to Fit. Workshop Fit only

The cradle fits passenger side front.

Remove overflow bottle.

Bolt bracket onto radiator mount and bolt bottle onto bracket.

Ensure AirConditioning lines Not Compromised