

LED Strobe Lights – Model 406

8200213

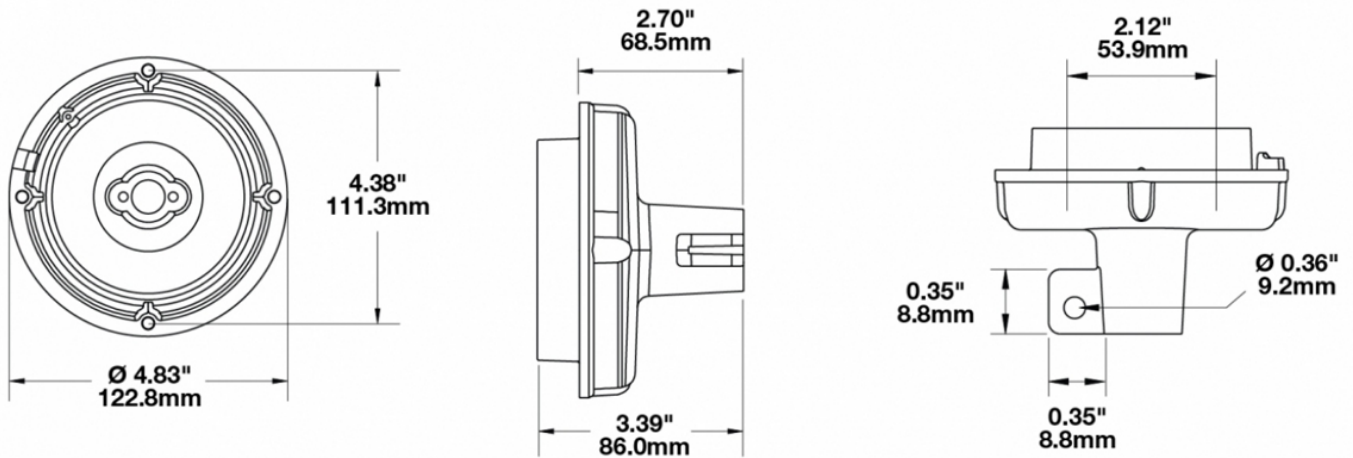
Product Information



Description	Model 406/407 - LED Strobe DIN Pole Mount
Height	86.15 mm / 3.39 in
Width	122.75 mm / 4.83 in
Depth	122.75 mm / 4.83 in
Shape	Round
Housing Material	Nylon
Housing Color	Black
Minimum Operating Temperature	-40 °C
Maximum Operating Temperature	60 °C
Connector or Wiring	ISO 4165 plug
Mating Connector	ISO 4165 socket
Product Weight	0.50 lbs / 0.23 kgs
Shipping Weight	0.73 lbs / 0.33 kgs



Product Dimensions



Additional Specifications

Warranty

Please refer to the Warranty Statement which is available for download on the website

Pack Quantity

1

Additional Information

This DIN Pole Mount allows the use of the Model 406 & 407 strobe light to be mounted to a pole with an ISO 4165 socket.

DIN Pole Mount accessory Includes: (4) screw mounts to secure directly to strobe light housing.