

LED Safety Light – Model 527

8200151

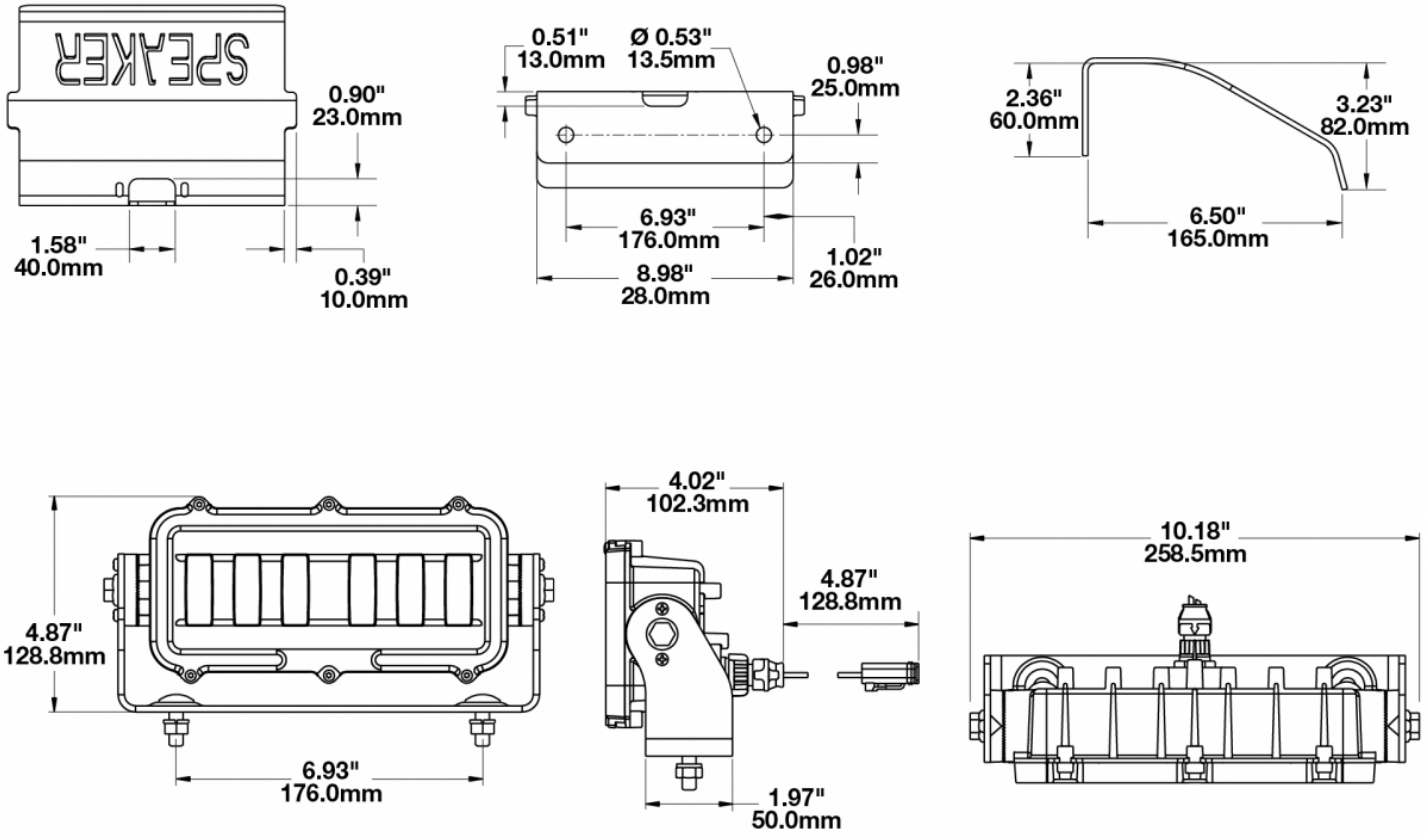
Product Information



Description	Model 527 - Mine Shovel Rock Guard Kit
Height	171.45 mm / 6.75 in
Width	247.65 mm / 9.75 in
Depth	133.35 mm / 5.25 in
Shape	Rectangular
Shipping Weight	8.40 lbs / 3.81 kgs



Product Dimensions



Additional Specifications



Pack Quantity 1