

# Bi-LED Headlight – Model 97

# 8001511

## Product Information



<b>Description</b>	Model 97 - 3mm 3 Point Panel Mount Bracket
<b>Product Weight</b>	0.25 lbs / 0.11 kgs
<b>Shipping Weight</b>	0.31 lbs / 0.14 kgs

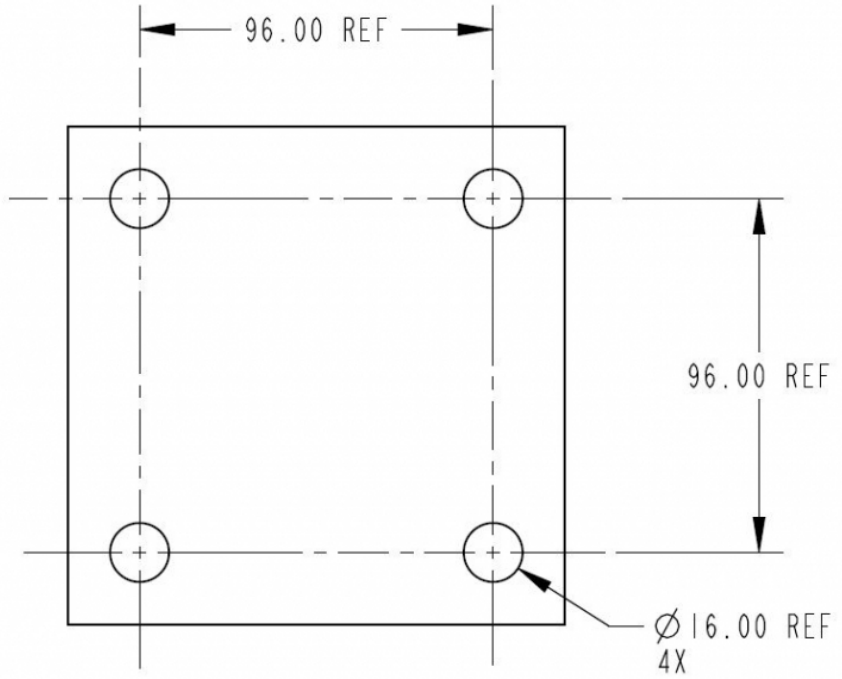
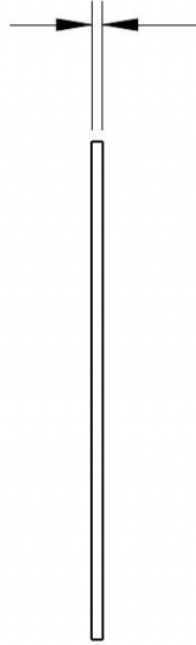


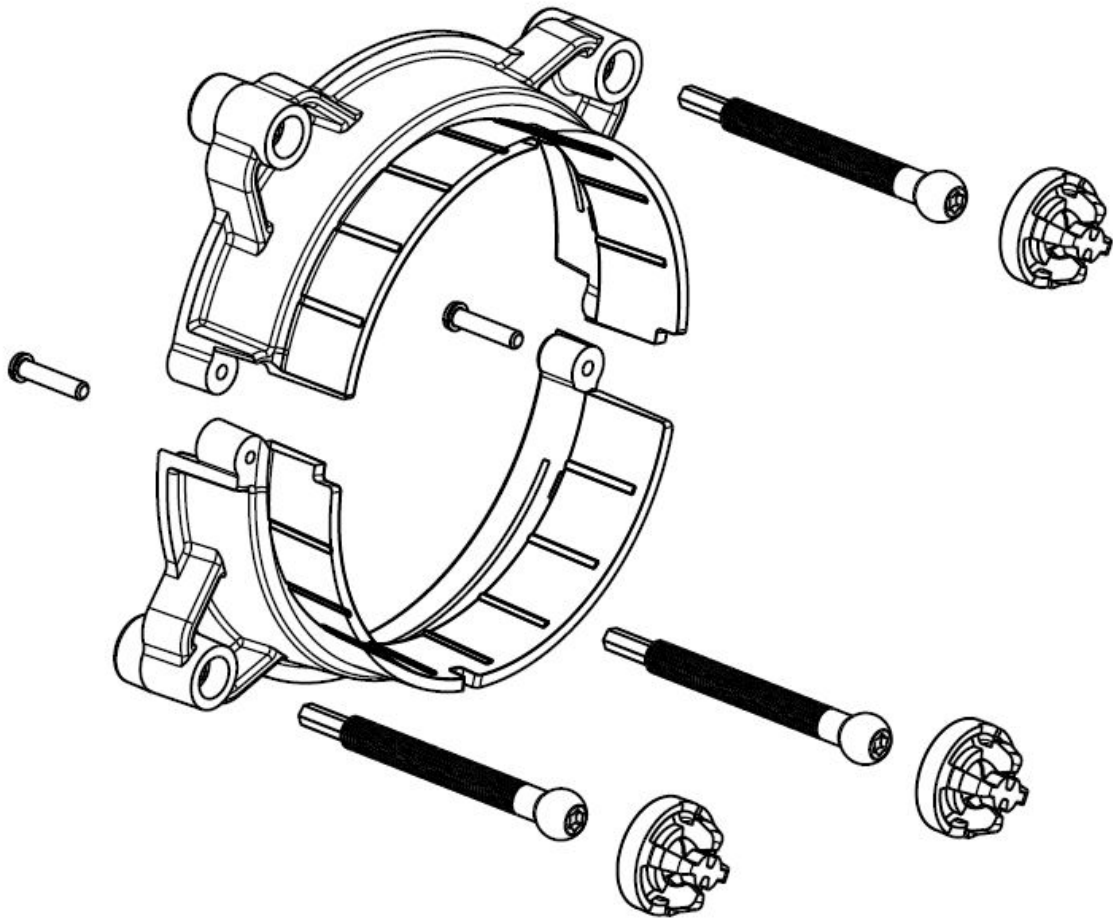
## Photometric Specifications



## MOUNTING DIMENSIONS

PANEL THICKNESS  
3.00 REF





## Additional Specifications



### Warranty

Please refer to the Warranty Statement which is available for download on the website

### Pack Quantity

1