

# LED Jeep Fog Lights – Model 6145 J2

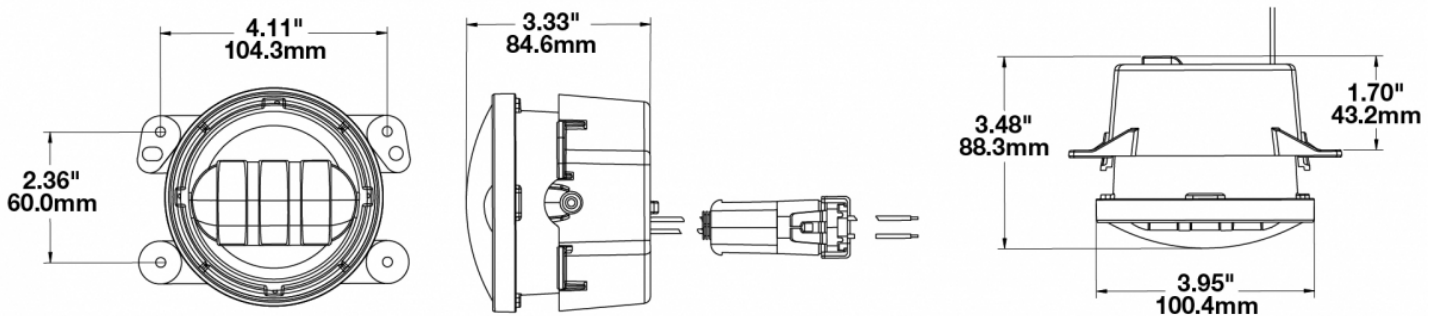
## 0554573

### Product Information

<b>Description</b>	Model 6145 J2 - 12V LED Fog Light Inserts (For Jeep) - Black
<b>Height</b>	100.80 mm / 3.97 in
<b>Width</b>	125.73 mm / 4.95 in
<b>Depth</b>	88.39 mm / 3.48 in
<b>Shape</b>	Round
<b>Outer Lens Material</b>	Hardcoated Polycarbonate
<b>Outer Lens Color</b>	Clear
<b>Housing Material</b>	Die-Cast Aluminum
<b>Housing Color</b>	Black
<b>Bezel Color</b>	Black
<b>Retrofits</b>	Jeep, Dodge, PT and Chrysler
<b>Minimum Operating Temperature</b>	-40 °C
<b>Maximum Operating Temperature</b>	65 °C
<b>Mating Connector</b>	Packard #12059183
<b>Shipping Weight</b>	2.30 lbs / 1.04 kgs



### Product Dimensions

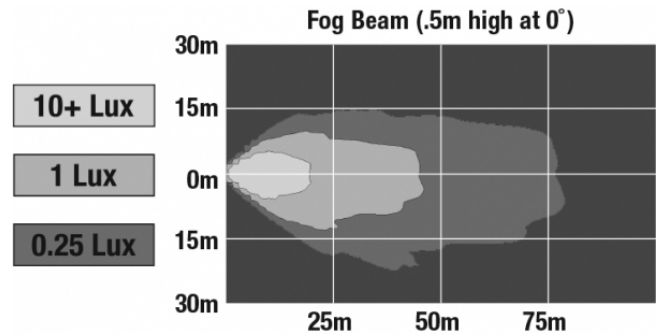


## Electrical Specifications

<b>Input Voltage</b>	12V DC
<b>Operating Voltage</b>	10-15V DC
<b>Red Wire</b>	Positive
<b>Black Wire</b>	Negative
<b>Current Draw</b>	1.60A @ 12V DC

## Photometric Specifications

<b>Raw Lumen Output</b>	1,080
<b>Effective Lumen Output</b>	610
<b>Nominal LED Color Temperature</b>	5000 K
<b>Beam Pattern(s)</b>	Forward Lighting - Fog



## Additional Specifications

<b>IP Rating</b>	IP67
<b>Warranty</b>	Please refer to the Warranty Statement which is available for download on the website
<b>Certification</b>	ECE Reg 19, SAE J583, Tested to ECE Reg 10 (Radiated Emissions Only)
<b>Pack Quantity</b>	2

## Installation & Application Information

The Model 6145 J2 Series fog lights are designed exclusively for Jeep Fog Lights, intended for 2007 & newer model year Jeep Wranglers. Splicing required.