

# LED Jeep Headlights – Model 8700 Evolution J2

## 0554563

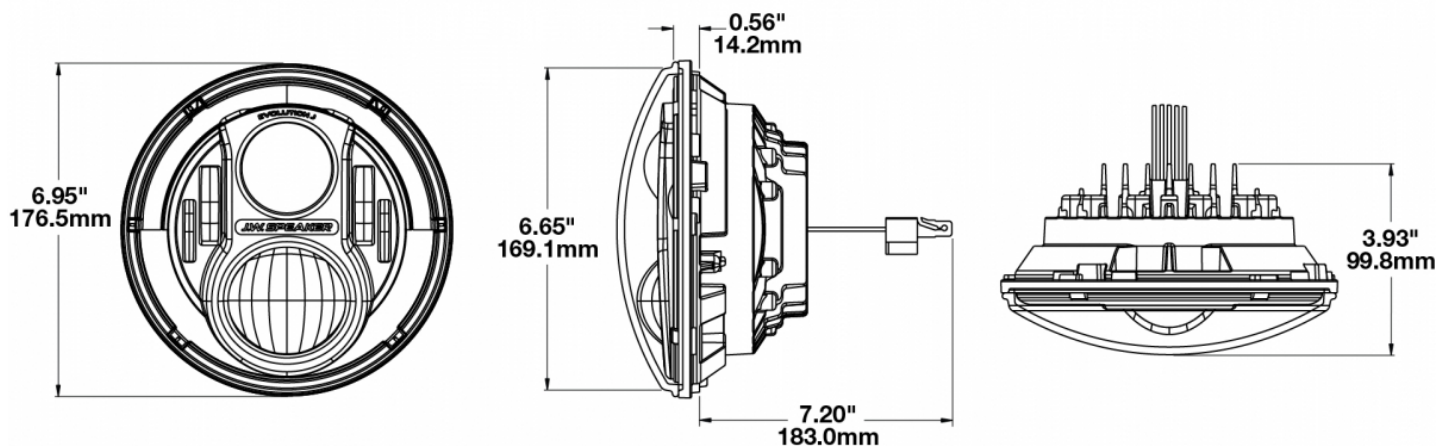


### Product Information

<b>Description</b>	Model 8700 EVO J2 - 12V LED Headlight Insert (For Jeep) - Black
<b>Height</b>	176.53 mm / 6.95 in
<b>Width</b>	176.53 mm / 6.95 in
<b>Depth</b>	99.82 mm / 3.93 in
<b>Shape</b>	Round
<b>Outer Lens Material</b>	Polycarbonate
<b>Outer Lens Color</b>	Clear
<b>Housing Material</b>	Die-Cast Aluminum
<b>Bezel Color</b>	Black
<b>Retrofits</b>	7" round headlights or 2D1 PAR56
<b>Minimum Operating Temperature</b>	-40 °C
<b>Maximum Operating Temperature</b>	65 °C
<b>Connector or Wiring</b>	H4
<b>Mating Connector</b>	H4 AMP 172615-2
<b>Product Weight</b>	2.31 lbs / 1.05 kgs



### Product Dimensions

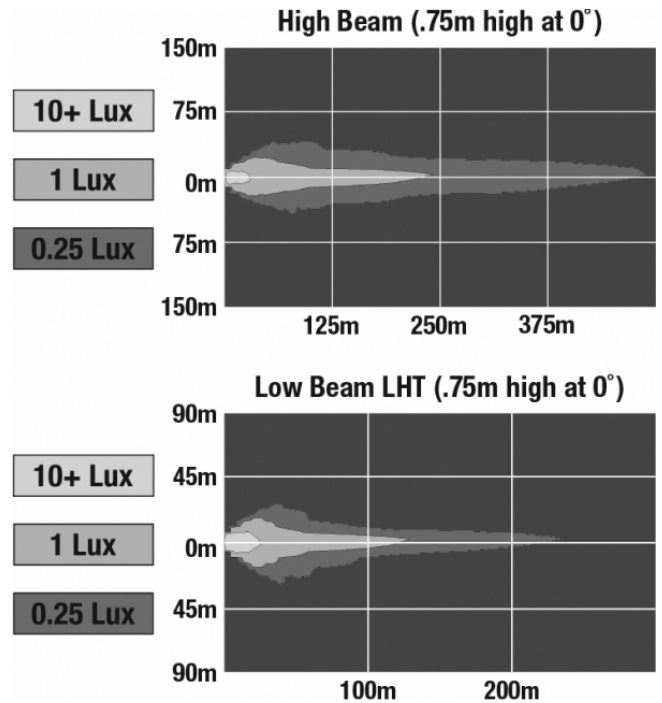


## Electrical Specifications

<b>Input Voltage</b>	12V DC
<b>Operating Voltage</b>	9-16V DC
<b>Black Wire</b>	Ground
<b>White Wire</b>	High Beam
<b>Yellow Wire</b>	Low Beam
<b>Red Wire</b>	Front Position
<b>Blue Wire</b>	DRL
<b>Current Draw</b>	4.20A @ 12V DC (High Beam) 2.00A @ 12V DC (Low Beam) 1.60A @ 12V DC (DRL) 0.16A @ 12V DC (Front Position)

## Photometric Specifications

<b>Raw Lumen Output</b>	3,200 (High Beam); 1,770 (Low Beam)
<b>Effective Lumen Output</b>	1,260 (High Beam); 750 (Low Beam)
<b>Candela Output</b>	71,500 (High Beam); 35,003 (Low Beam)
<b>Nominal LED Color Temperature</b>	5000 K
<b>Beam Pattern(s)</b>	Forward Lighting - Daytime Running Light Forward Lighting - High Beam (DOT/ECE) Forward Lighting - Low Beam (ECE Left Hand) Signalization - Front Position



## Additional Specifications ▼

<b>IP Rating</b>	IP67
<b>Warranty</b>	Please refer to the Warranty Statement which is available for download on the website
<b>Certification</b>	ECE Reg 7, 87 & 112
<b>Pack Quantity</b>	2

## Installation & Application Information ▼

**The Model 8700 Evolution J2 Series is intended for use on 2007+ Jeep Wranglers & Jeep Wrangler Unlimited.**

This series will fit 2017 Jeep JK models. However, it is only plug & play for the following models (identified with an X below). All others will need to be modified with a ring kit.

Jeep Model	Type of Standard Lights	J.W. Speaker Mounting Ring Kit Required for LED Upgrades
Chief	LED	Yes
Rubicon	LED	Yes
Rubicon Hard Rock	LED	Yes
Rubicon Recon	LED	Yes
Sahara	LED	Yes
Smoky Mountain	LED	Yes
Winter	LED	Yes
75th Anniversary Edition	LED	Yes <i>(No, if equipped with halogen)</i>
Big Bear	Halogen	No
Freedom Edition	Halogen	No
Sport	Halogen	No
Sport S	Halogen	No
Willys Wheeler	Halogen	No


## Additional Information

---



**This light has been updated with Dual Burn™ high beam optics.**

This technology combines your high and low beam when turning on your high beam, providing the driver with both widespread visibility along with a powerful punch of light down the road.

 J2 Series Dual Burn & Optic Functions