

# LED Light Inserts – Model 93

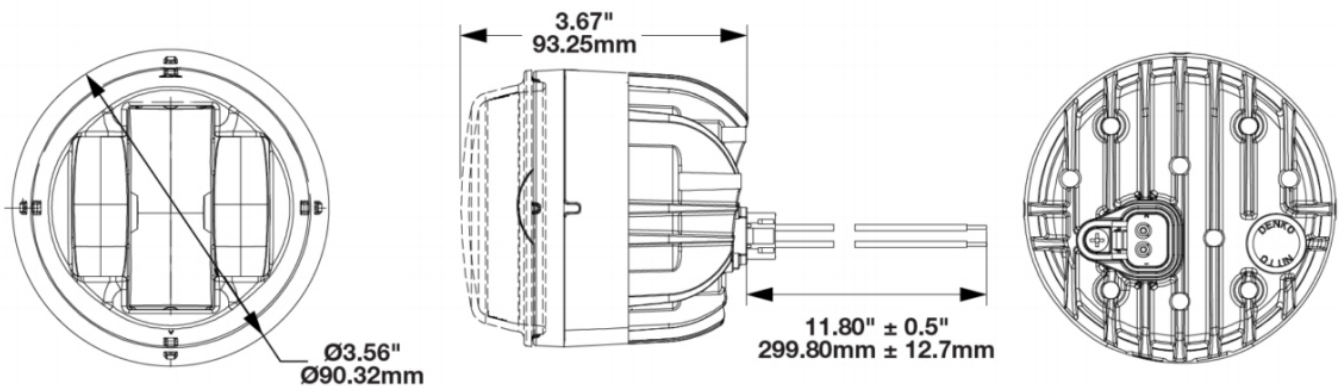
## 0554381

### Product Information

<b>Description</b>	Model 93 - 12/24V LED High Beam (With Front Position)
<b>Height</b>	90.00 mm / 3.54 in
<b>Width</b>	90.00 mm / 3.54 in
<b>Depth</b>	95.00 mm / 3.74 in
<b>Shape</b>	Round
<b>Outer Lens Material</b>	Polycarbonate
<b>Outer Lens Color</b>	Clear
<b>Housing Material</b>	Die-Cast Aluminum
<b>Housing Color</b>	Black
<b>Bezel Color</b>	Black
<b>Minimum Operating Temperature</b>	-40 °C
<b>Maximum Operating Temperature</b>	65 °C
<b>Connector or Wiring</b>	Deutsch DT04-3P
<b>Mating Connector</b>	Deutsch DT06-3S
<b>Product Weight</b>	1.22 lbs / 0.55 kgs
<b>Shipping Weight</b>	1.44 lbs / 0.65 kgs



### Product Dimensions



## Electrical Specifications

<b>Input Voltage</b>	12-24V DC
<b>Operating Voltage</b>	10-31V DC
<b>Black Wire</b>	Ground
<b>White Wire</b>	High Beam
<b>Yellow Wire</b>	Front Position
<b>Current Draw</b>	0.80A @ 12V DC (High Beam) 0.40A @ 24V DC (High Beam) 0.40A @ 12V DC (Front Position) 0.20A @ 24V DC (Front Position)

## Photometric Specifications

<b>Raw Lumen Output</b>	630
<b>Effective Lumen Output</b>	230
<b>Candela Output</b>	45,000
<b>Nominal LED Color Temperature</b>	5000 K
<b>Beam Pattern(s)</b>	Forward Lighting - High Beam (DOT/ECE) Signalization - Front Position

## Additional Specifications

<b>IP Rating</b>	IP69K
<b>Warranty</b>	Please refer to the Warranty Statement which is available for download on the website
<b>Certification</b>	ECE Reg 7 & 112, FMVSS 108 s10.1 (Table XVIII)
<b>Pack Quantity</b>	1

## Additional Information

---



This is a single light, including (1) lamp and mounting hardware.

Headlight must be securely mounted and properly aimed such that the beam pattern cut off line complies with all applicable regulations. If you are not familiar with the legal requirements for aiming your headlights, please see a professional service provider. We recommend that headlights are aimed with a headlight aiming system for proper alignment.

This is an FMVSS UB6 high beam. It requires that the low beam is powered at the same time as the high beam to be compliant for use on the road.