

# LED Safety Light – Model 4415

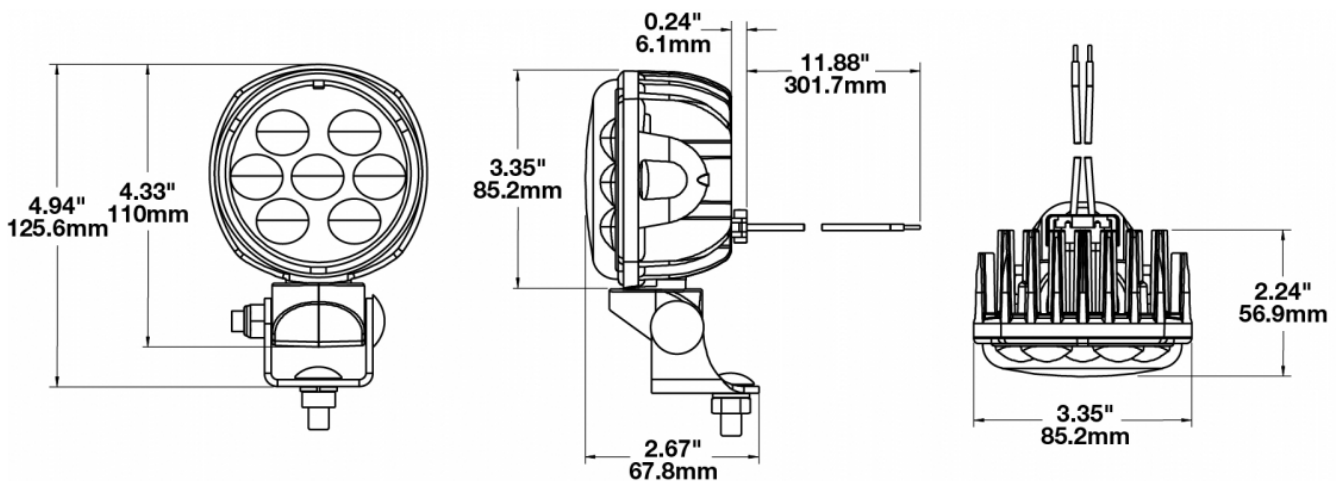
## 0552991

### Product Information

<b>Description</b>	Model 4415 - 12/110V LED Safety Light - Blue 'Keep Out Zone'
<b>Height</b>	110.00 mm / 4.33 in
<b>Width</b>	85.20 mm / 3.35 in
<b>Depth</b>	56.90 mm / 2.24 in
<b>Shape</b>	Round
<b>Outer Lens Material</b>	Polycarbonate
<b>Outer Lens Color</b>	Clear
<b>Housing Material</b>	Die-Cast Aluminum
<b>Housing Color</b>	Black
<b>Mounting Hardware Description</b>	(x1) M8-20 x 1.25 Mounting Bolt Black ZP
<b>Mating Connector</b>	Packard Delphi 12059183
<b>Shipping Weight</b>	1.10 lbs / 0.5 kgs



### Product Dimensions

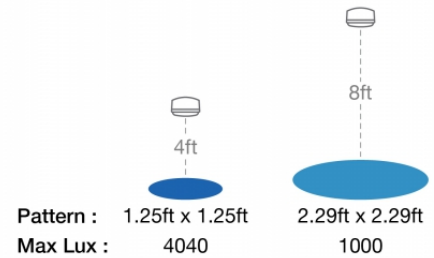


## Electrical Specifications

<b>Input Voltage</b>	12-110V DC
<b>Red Wire</b>	Power
<b>Black Wire</b>	Ground
<b>Current Draw</b>	1.50A @ 12V DC 1.05A @ 24V DC 0.51A @ 48V DC 0.40A @ 60V DC 0.25A @ 110V DC

## Photometric Specifications

<b>Effective Lumen Output</b>	258
<b>Candela Output</b>	10,268
<b>Beam Pattern(s)</b>	Warning - Keep Out Zone



## Additional Specifications

<b>IP Rating</b>	IP67
<b>Warranty</b>	Please refer to the Warranty Statement which is available for download on the website
<b>Pack Quantity</b>	1