

Reflector LED Headlights – Model 8720

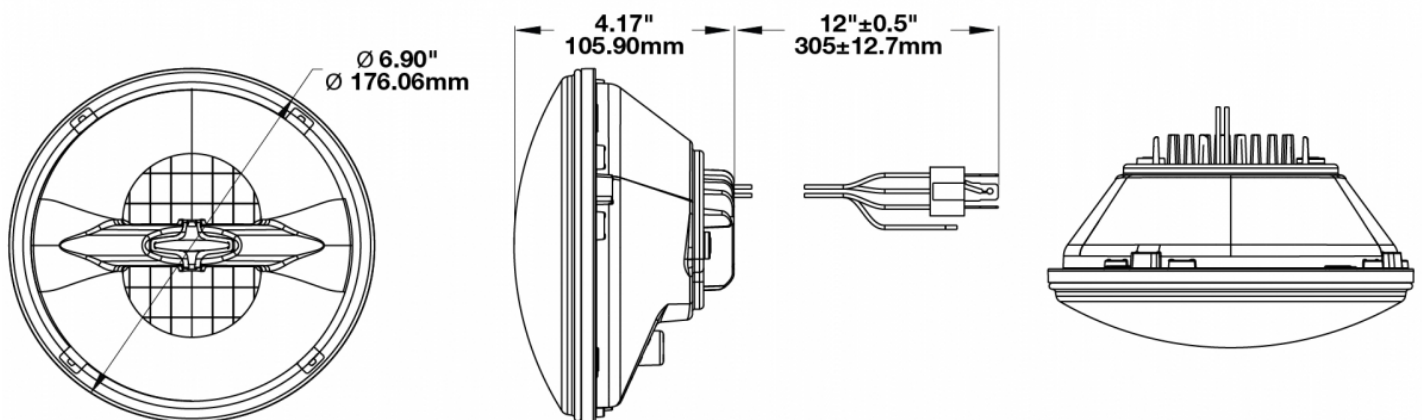
0552861

Product Information

| | |
|-------------------------------|--|
| Description | Model 8720 - 12V LED Motorcycle Headlight Insert Headlight Insert |
| Height | 175.00 mm / 6.89 in |
| Width | 175.00 mm / 6.89 in |
| Depth | 110.00 mm / 4.33 in |
| Shape | Round |
| Outer Lens Material | Polycarbonate |
| Outer Lens Color | Clear |
| Housing Color | Black |
| Bezel Color | Chrome |
| Retrofits | Bucket 7" Round Headlights (PAR56) |
| Connector or Wiring | H4 |
| Mating Connector | H4 AMP#172615-2 |
| Shipping Weight | 2.74 lbs / 1.24 kgs |
| Additional Information | Includes H-4 connector with 4th front position wire for ECE- compliance. |



Product Dimensions

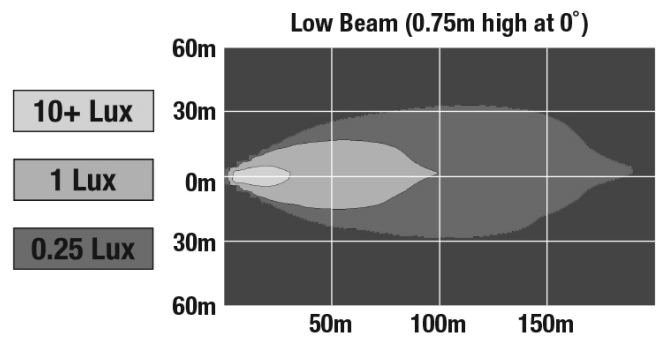
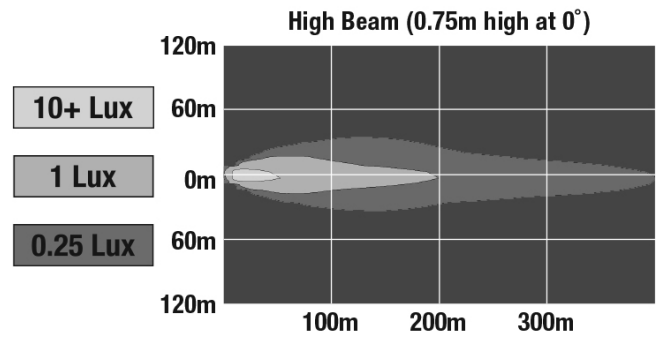


Electrical Specifications

| | |
|--------------------------|--|
| Input Voltage | 12V DC |
| Operating Voltage | 9-16V DC |
| Black Wire | Ground |
| White Wire | High Beam |
| Yellow Wire | Low Beam |
| Red Wire | Front Position |
| Current Draw | 2.67A @ 12V DC (High Beam) 1.67A @ 12V DC (Low Beam) 0.13A @ 12V DC (Front Position) |

Photometric Specifications

| | |
|--------------------------------------|---|
| Raw Lumen Output | 1,620 (High Beam); 925 (Low Beam) |
| Effective Lumen Output | 850 (High Beam); 500 (Low Beam) |
| Candela Output | 41,000 (High Beam); 12,110 (Low Beam) |
| Nominal LED Color Temperature | 5000 K |
| Beam Pattern(s) | Forward Lighting - High Beam (DOT/ECE) Forward Lighting - Low Beam (DOT/ECE) Signalization - Front Position |



Additional Specifications



| | |
|----------------------|---|
| IP Rating | IP67 |
| Warranty | Please refer to the Warranty Statement which is available for download on the website |
| Certification | ECE Reg 50 & 113, Tested to ECE Reg 10 (Radiated Emissions Only), FMVSS 108 Table XX, SAEJ584 |
| Pack Quantity | 1 |