

LED Headlight – Model 8632 Evolution

0551973

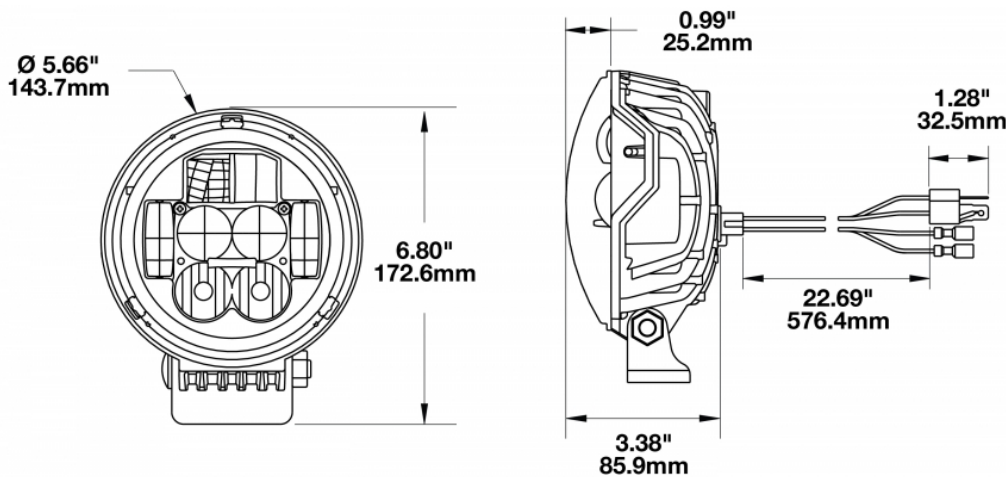


Product Information

Description	Model 8632 EVO - 12/24V LED Headlight - Pedestal Mount
Height	173.00 mm / 6.81 in
Width	144.00 mm / 5.67 in
Depth	86.00 mm / 3.39 in
Shape	Round
Outer Lens Material	Polycarbonate
Outer Lens Color	Clear
Housing Color	Black
Minimum Operating Temperature	-34 °C
Maximum Operating Temperature	49 °C
Connector or Wiring	Integral Connector in Housing simulating Delphi 12124107,
Mating Connector	Delphi 12052848
Product Weight	4.00 lbs / 1.81 kgs
Shipping Weight	5.40 lbs / 2.45 kgs



Product Dimensions

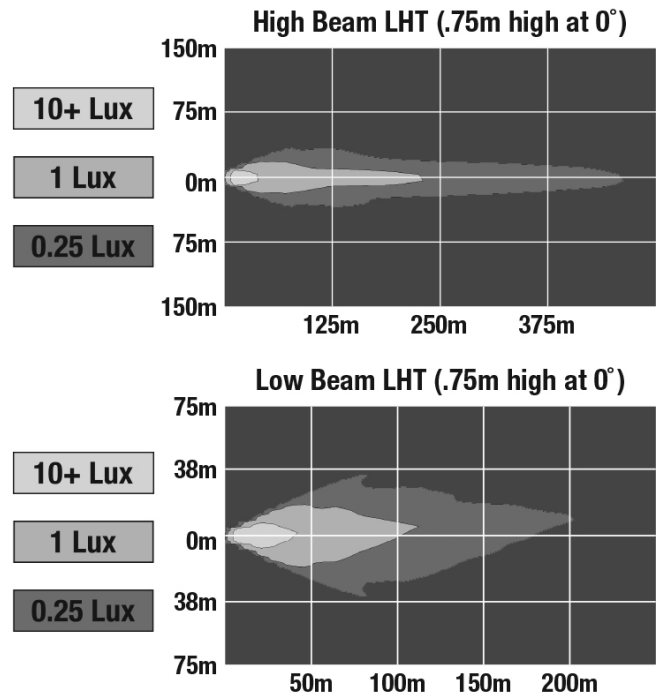


Electrical Specifications

Input Voltage	12-24V AC
Operating Voltage	10-32V AC
White Wire	High Beam
Yellow Wire	Low Beam
Black Wire	Ground
Red Wire	Front Position
Purple Wire	DRL
Orange/white Wire	Front Turn
Current Draw	3.67A @ 12V AC (High Beam) .08A @ 12V AC (Side Marker) .042A @ 24V AC (Side Marker) 1.83A @ 24V AC (High Beam) 2.5A @ 12V AC (Low Beam) 1.25A @ 24V AC (Low Beam) .67A @ 12V AC (DRL) .34A @ 24V AC (DRL) .83A @ 12V AC (Front Turn) .42A @ 24V AC (Front Turn) .08A @ 12V AC (Front Position) .042A @ 24V AC (Front Position)

Photometric Specifications

Raw Lumen Output	2,925 (High Beam); 2,025 (Low Beam)
Effective Lumen Output	1,000 (High Beam); 630 (Low Beam)
Nominal LED Color Temperature	5000 K
Beam Pattern(s)	Forward Lighting - Daytime Running Light Forward Lighting - High Beam (DOT/ECE) Forward Lighting - Low Beam (ECE Left Hand) Signalization - Front Position Signalization - Marker Signalization - Turn (Front)



Additional Specifications



IP Rating	IP67
Warranty	Please refer to the Warranty Statement which is available for download on the website
Certification	ECE Reg 6, 7, 87 & 112
Pack Quantity	2