

## LED Fog Lights - Model 527

# 0551281

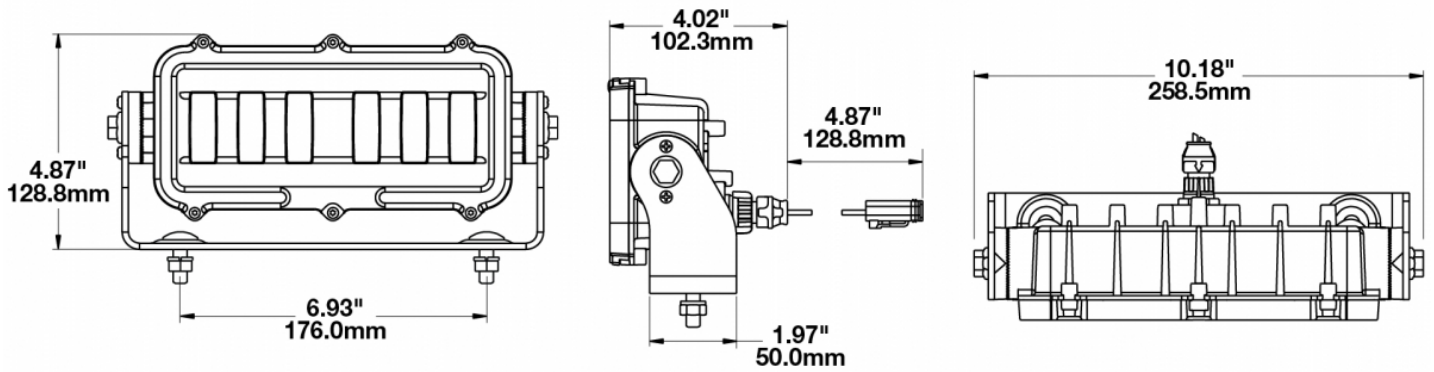
### Product Information



<b>Description</b>	Model 527 - 12/24V LED Fog Light - Amber
<b>Height</b>	123.70 mm / 4.87 in
<b>Width</b>	258.57 mm / 10.18 in
<b>Depth</b>	102.11 mm / 4.02 in
<b>Shape</b>	Rectangular
<b>Outer Lens Material</b>	Glass
<b>Outer Lens Color</b>	Clear
<b>Housing Material</b>	Xenoy
<b>Housing Color</b>	Black
<b>Mounting Hardware Description</b>	(x2) M8-1.25 Mounting Bolt
<b>Mounting Type</b>	Universal Pedestal Mount
<b>Minimum Operating Temperature</b>	-40 °C
<b>Maximum Operating Temperature</b>	65 °C
<b>Connector or Wiring</b>	Integrated 2-Pin Deutsch Weatherproof Socket (DT04-2P)
<b>Mating Connector</b>	Integrated 2-Pin Deutsch Weatherproof Plug (DT06-2S)
<b>Product Weight</b>	2.60 lbs / 1.18 kgs
<b>Shipping Weight</b>	5.60 lbs / 2.54 kgs



## Product Dimensions



## Electrical Specifications

<b>Input Voltage</b>	12-24V DC
<b>Operating Voltage</b>	10-32V DC
<b>RED Wire</b>	Positive
<b>BLACK Wire</b>	Negative
<b>Current Draw</b>	1.2A @ 12V DC .8A @ 24V DC

## Photometric Specifications

<b>Raw Lumen Output</b>	960
<b>Effective Lumen Output</b>	400
<b>Beam Pattern(s)</b>	Forward Lighting - Fog

## Additional Specifications

---



<b>Beam Angle</b>	Fog
<b>IP Rating</b>	IP69K
<b>Warranty</b>	Please refer to the Warranty Statement which is available for download on the website
<b>Pack Quantity</b>	1