

# LED Headlights – Model 6130 Evolution

## 0549861

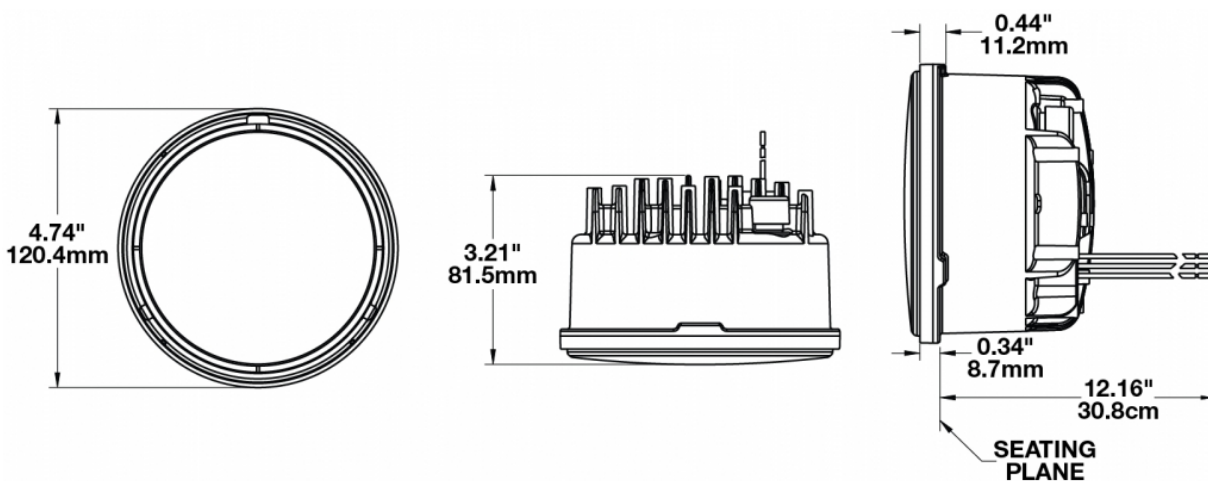


### Product Information

<b>Description</b>	Model 6130 EVO - 12/24V LED Headlight Insert (Low Beam & DRL)
<b>Height</b>	120.40 mm / 4.74 in
<b>Width</b>	120.40 mm / 4.74 in
<b>Depth</b>	81.53 mm / 3.21 in
<b>Shape</b>	Round
<b>Outer Lens Material</b>	Polycarbonate
<b>Outer Lens Color</b>	Clear
<b>Housing Color</b>	Black
<b>Bezel Color</b>	Black
<b>Connector or Wiring</b>	12" Flying Leads
<b>Mating Connector</b>	n/a
<b>Product Weight</b>	1.50 lbs / 0.68 kgs



### Product Dimensions

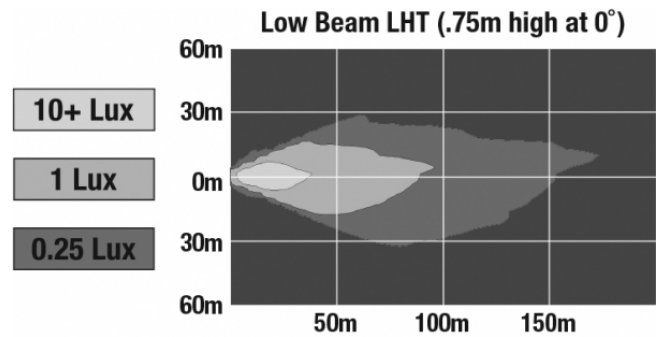


## Electrical Specifications

<b>Input Voltage</b>	12-24V DC
<b>Operating Voltage</b>	10-30V DC
<b>Black Wire</b>	Ground
<b>Yellow Wire</b>	DRL
<b>White Wire</b>	Low Beam
<b>Current Draw</b>	2.07A @ 12V DC (Low Beam) 0.96A @ 24V DC (Low Beam) 0.44A @ 12V DC (DRL) 0.24A @ 24V DC (DRL)

## Photometric Specifications

<b>Raw Lumen Output</b>	1,690 (Low Beam)
<b>Effective Lumen Output</b>	640 (Low Beam)
<b>Beam Pattern(s)</b>	Forward Lighting - Daytime Running Light Forward Lighting - Low Beam (ECE Left Hand)



## Additional Specifications

<b>IP Rating</b>	IP67
<b>Warranty</b>	Please refer to the Warranty Statement which is available for download on the website
<b>Certification</b>	ECE Reg 7, 87 & 112
<b>Pack Quantity</b>	1

## Additional Information

---



Jump Start: 48V for 2 min

Reverse Polarity: -24V for 2 min

Load Dump: 150V 5 pulses 10 sec intervals

Inductive Switching: 600V 10 pulses 1 sec intervals

Mutual Coupling: 300V 10 pulses 1 sec intervals