

LED Work Light – Model 4415

0549841

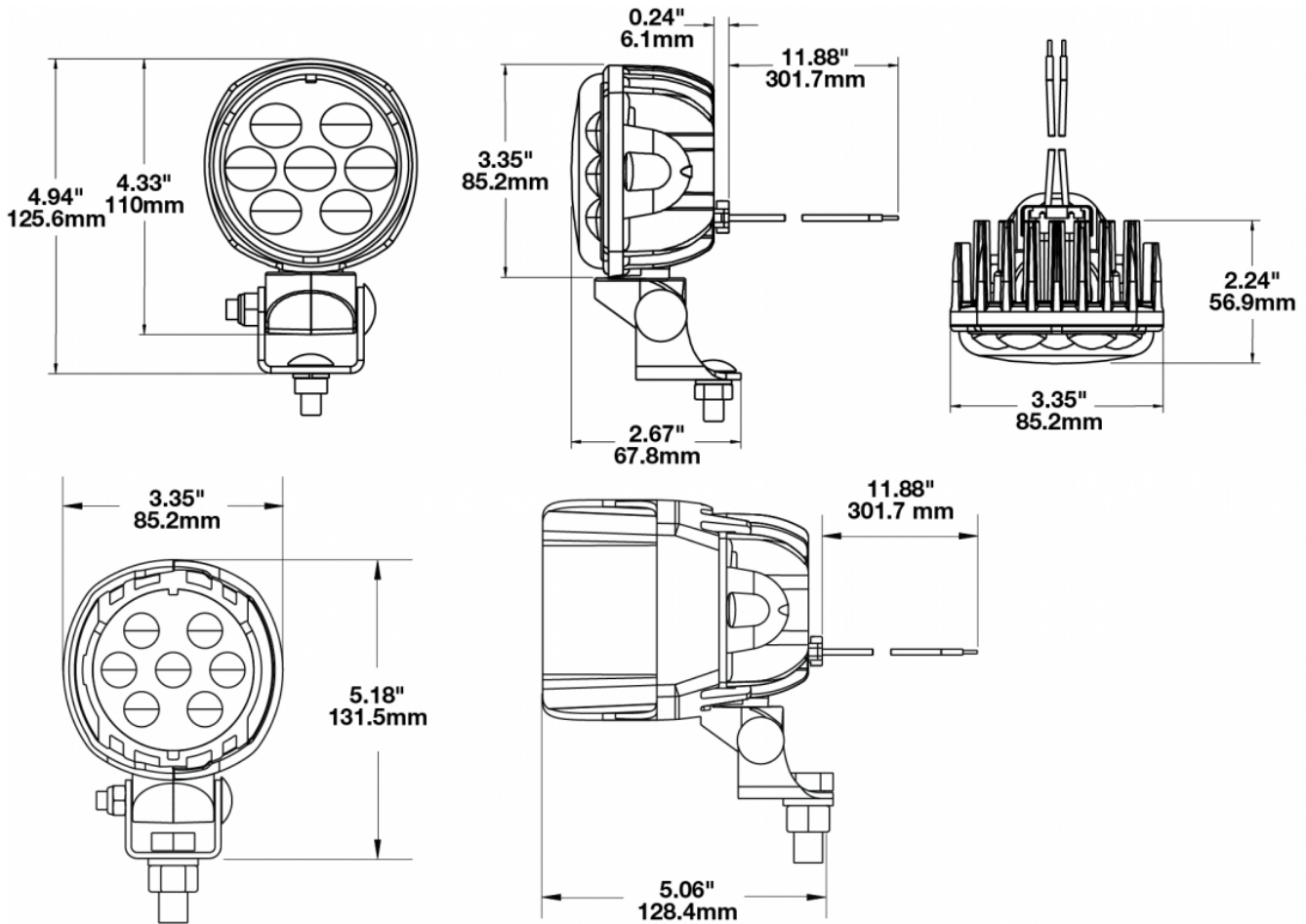
Product Information



Description	Model 4415 - 12/24V LED Worklight - Trap Beam
Height	125.48 mm / 4.94 in
Width	85.09 mm / 3.35 in
Depth	56.90 mm / 2.24 in
Shape	Round
Outer Lens Material	Polycarbonate
Outer Lens Color	Clear
Housing Material	Die-Cast Aluminum
Housing Color	Black
Mounting Hardware Description	(x1) Bracket and swivel
Minimum Operating Temperature	-40 °C
Maximum Operating Temperature	85 °C
Connector or Wiring	Packard# 12084167
Mating Connector	Packard#12059183
Product Weight	0.90 lbs / 0.41 kgs
Shipping Weight	1.20 lbs / 0.54 kgs



Product Dimensions




Electrical Specifications

Input Voltage	12-24V AC
Operating Voltage	10-32V AC
Red Wire	Positive
Black Wire	Negative
Current Draw	2.20A @ 12V AC 1.10A @ 24V AC

Photometric Specifications

Raw Lumen Output	2,450
Effective Lumen Output	1,350
Nominal LED Color Temperature	5000 K
Beam Pattern(s)	Forward Lighting - Trapezoid

Model 4415 - Trap Beam



5.5m 21m

Beam Measurements - 1 Lux

Lamp Mounting: 2.15m High -10° Down

Additional Specifications

IP Rating	IP67
Warranty	Please refer to the Warranty Statement which is available for download on the website
Pack Quantity	1