

LED Work Light – Model 523

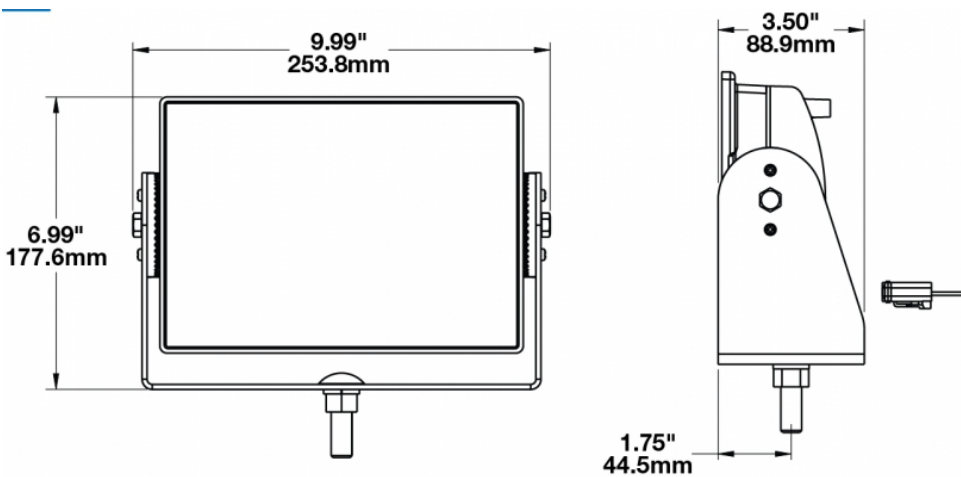
0549641

Product Information

Description	Model 523XL - 12/24V LED Worklight - Narrow Flood Beam (Yellow Housing)
Height	177.55 mm / 6.99 in
Width	253.75 mm / 9.99 in
Depth	88.90 mm / 3.5 in
Shape	Rectangular
Outer Lens Material	Glass
Outer Lens Color	Clear
Housing Material	Die-Cast Aluminum
Housing Color	Yellow
Mounting Hardware Description	(x1) 1/2"-Mounting Bolt
Mounting Type	Universal Pedestal Mount
Connector or Wiring	Integrated 2-Pin Deutsch Weather-Proof Socket (DT04-2P)
Product Weight	6.72 lbs / 3.05 kgs
Shipping Weight	8.40 lbs / 3.81 kgs



Product Dimensions



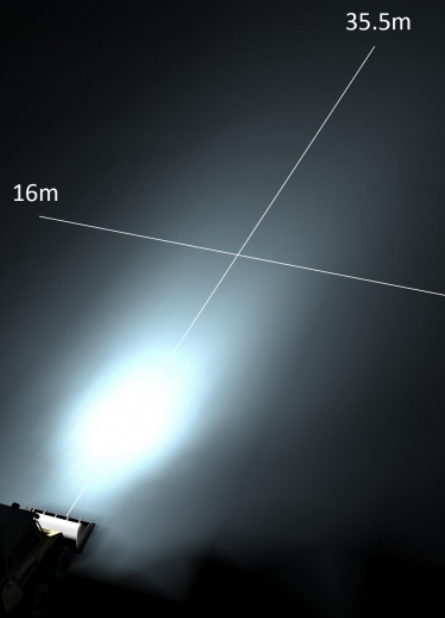
Electrical Specifications

Input Voltage	12-24V DC
Operating Voltage	9-32V DC
Transient Spike Protection	150V Peak @ 1 HZ-10 Pulses
Red Wire	Positive
Black Wire	Negative
Current Draw	6.7A @ 12V DC 3.7A @ 24V DC

Photometric Specifications

Raw Lumen Output	8,100
Effective Lumen Output	3,900
Nominal LED Color Temperature	5000 K
Beam Pattern(s)	Forward Lighting - Flood (Narrow)

Model 523 - Narrow Flood Beam



Beam Measurements - 1 Lux

Lamp Mounting: 2.15m High -10° Down

Additional Specifications



IP Rating	IP69K
Warranty	Please refer to the Warranty Statement which is available for download on the website
Pack Quantity	1