

fullstop[®]
SECURITY

Thatcham[®]

Quality Assured

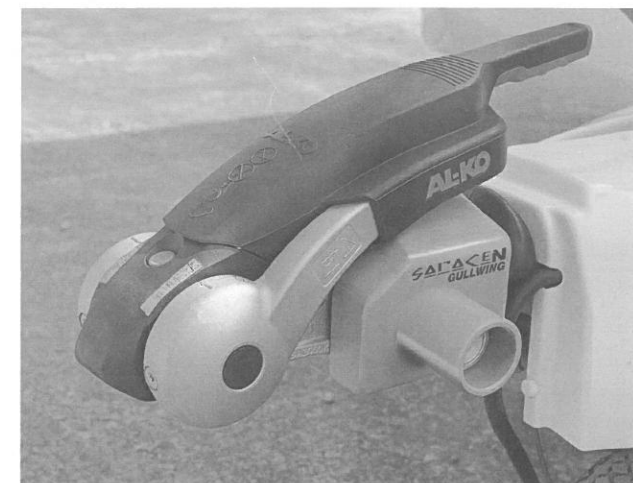
Category 3

SARACEN

Model. FHL555

GULLWING

Hitch Lock



PLEASE READ THIS
MANUAL BEFORE
FIRST USE.

TIME INVESTED IN
CORRECT FITMENT
IS REPAID IN THE
LEVEL OF SECURITY
THAT IS ACHIEVED.

User Manual

Rev.A 07-13

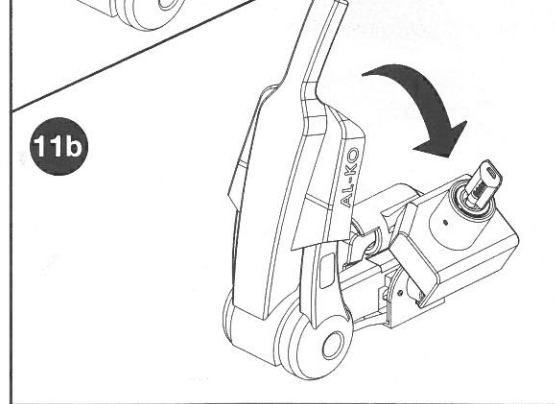
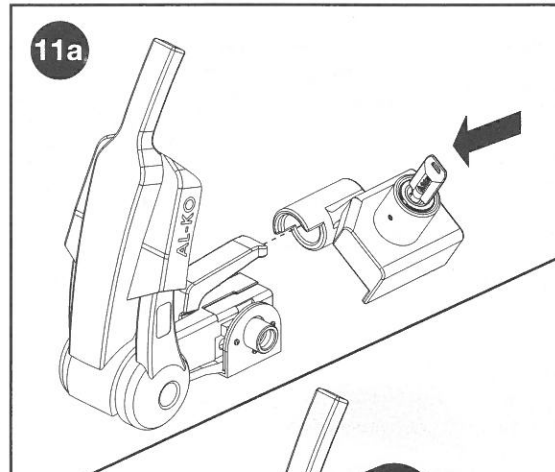
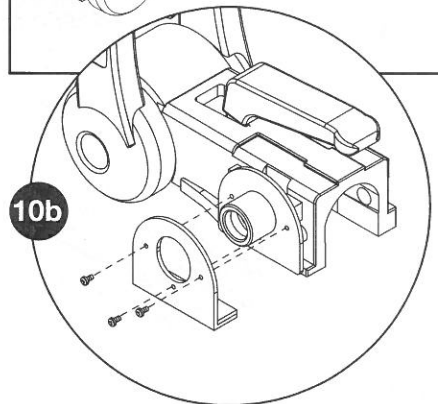
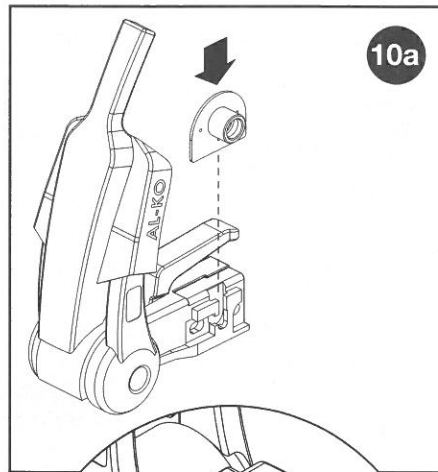
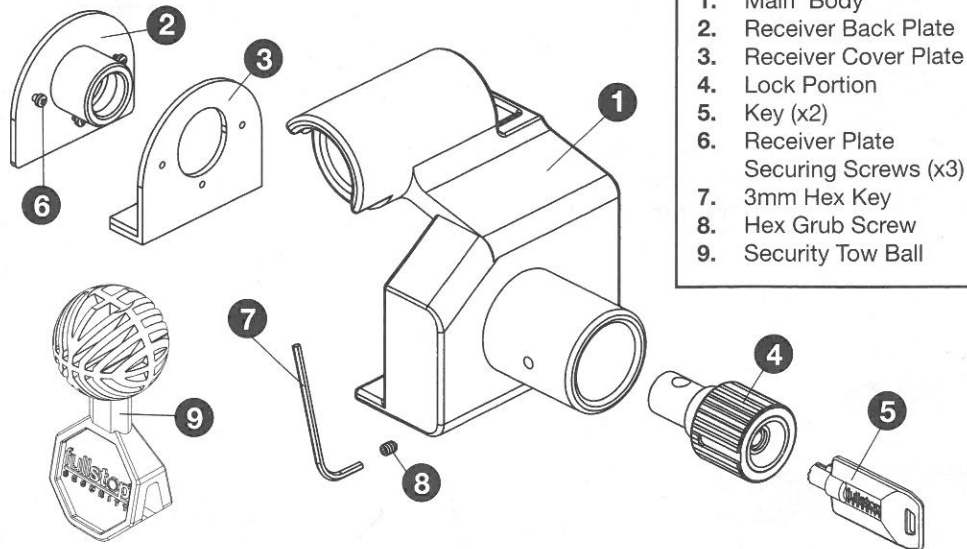
by



purpleline[®]

design...innovate...improve

Parts Identification



Assembly & Installation

The FullStop® Saracen Ultra hitch lock can be fitted when your caravan is hitched or unhitched. It is designed to fit AL-KO AKS2004 & AKS3004 stabiliser couplings.

1. Slide the Receiver Back Plate (2) onto your AL-KO stabiliser coupling. There is a recess in the casting (see diagram 10a).
2. Fit the Receiver Cover Plate (3) onto the Receiver Back Plate (2). Line up the holes and secure with the three Receiver Plate Securing Screws (6) using a crosshead screwdriver (see Diagram 10b).
3. If not already installed, screw in the Hex Grub Screw (8) into the Main Body (1) but only by a few threads at this stage
4. Locate the Lock Portion (4) into the Main Body (1). Line up the groove in the side of the knurled section of the lock with the Hex Grub Screw (8). Insert the lock into the main body and tighten the Grub Screw (8). The grub screw retains the lock in the Main Body but still allows the lock to slide in and out of the tube.

Fitting when Hitched

5. Insert one of the Keys (5) into the lock, push and turn 90° degrees clockwise to release the ball-bearing mechanism.
6. Locate the Main Body (1) over the handle of the coupling at approximately a 45° degree angle (see diagram 11a).
7. With the Lock Portion (4) fully retracted from the Main Body tube, pivot the Main Body (1) over the Receiver assembly (2,3). Use the Key to hold the Main Body assembly.
8. Push the lock into the tube on the Main Body. The lock will then locate into the receiver tube.
9. Lock the hitchlock by turning the key 90° degrees counter-clockwise. If the key will not turn it means that the lock is not properly located into the receiver and you will need to re-adjust the positioning and the Main Body (1) and the Receiver assembly (2,3).

Fitting when Un-hitched

10. The only difference when fitting the hitchlock when the caravan is unhitched is that the Security Tow Ball (9) must be inserted into the coupling to inhibit the coupling from use.

Maintenance

Spray the outside of the lock body with a light oil such as WD-40 or equivalent every sixteen weeks.



Please store your keys in a safe place and remember to register your product. **Registration is quick and simple, go to www.purpleline.co.uk/product-registration. Please retain your original purchase receipt.** Your key number is located on both of the keys supplied and will be required in order to purchase replacement keys.

Disclaimer

If used properly, your FullStop® product will be an effective deterrent. However, nothing can stop the efforts of the most determined thief, and to this end no liability is accepted for any loss and/or damage caused by any illegal activity including theft or vandalism. Liability also not accepted for any loss and/or damage arising from misuse, unauthorised repair or alteration and failure to follow the user guide directions. No form of consequential loss what so ever will be accepted.



© Copyright 2013. Purple Line Limited.

Web: www.purpleline.co.uk **E-mail:** admin@purpleline.co.uk **Tel:** 01473 601200

Photographs for illustration purposes only. Actual product may differ slightly.
Purple line Limited reserve the right to alter product specification without prior notice.

