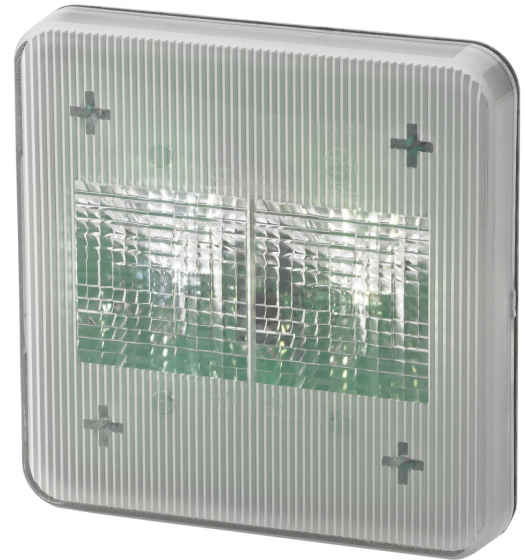


LED Signal Light – Model 224

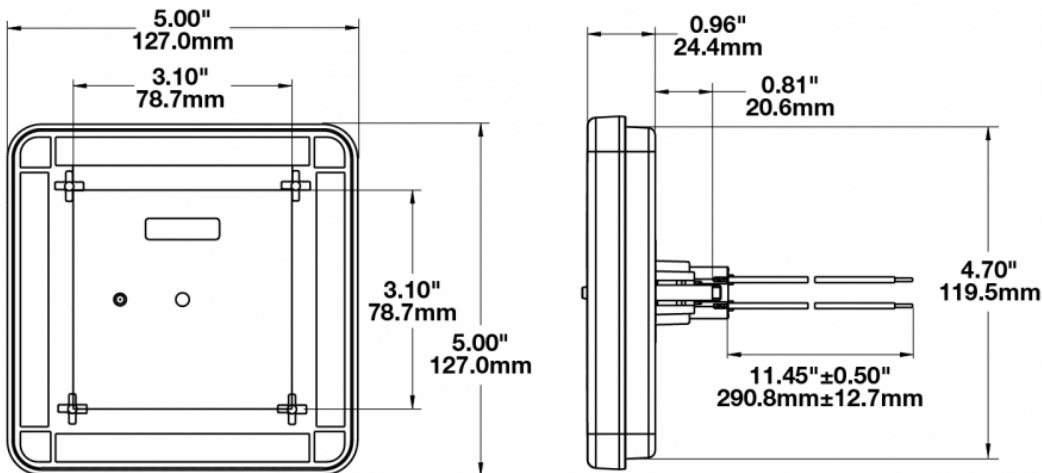
0442611

Product Information

Description	Model 224 - 12/24V LED Signal Light - White (Reverse)
Height	127.00 mm / 5 in
Width	127.00 mm / 5 in
Depth	44.96 mm / 1.77 in
Shape	Square
Outer Lens Material	Acrylic
Outer Lens Color	Clear
Housing Material	ABS
Housing Color	Black
Mounting Hardware Description	(x2) M6-1 x 25 Mounting Bolts
Mounting Type	Low Profile Mount
Minimum Operating Temperature	-40 °C
Maximum Operating Temperature	65 °C
Mating Connector	4-Pin Deutsch Plug (DT06-4S)
Product Weight	0.46 lbs / 0.21 kgs
Shipping Weight	0.46 lbs / 0.21 kgs



Product Dimensions



Electrical Specifications



Input Voltage	12-24V DC
Black Wire	Ground
White Wire	Backup
Current Draw	0.145A @ 12V DC 0.082A @ 24V DC

Photometric Specifications



Nominal LED Color Temperature	5000 K
--------------------------------------	--------

Additional Specifications



IP Rating	IP67
Warranty	Please refer to the Warranty Statement which is available for download on the website
Certification	ECE Reg 23, SAEJ593, FMVSS 108 Table XII
Pack Quantity	1