

LED Tail Light Kit (For Jeep) – Model 279 J Series

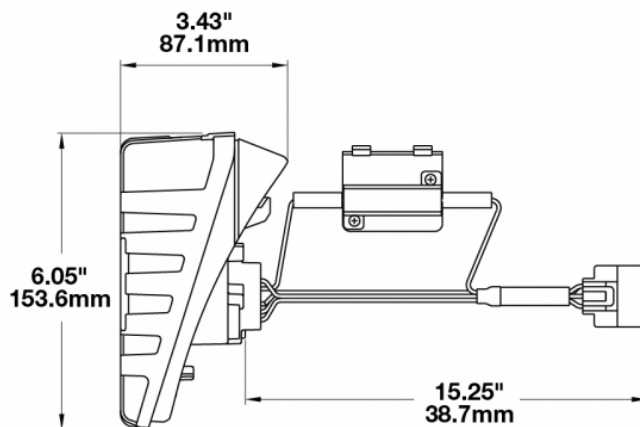
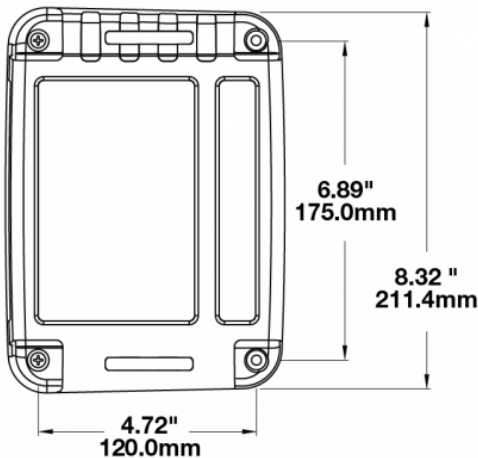
0347541

Product Information

Description	Model 279J - 12/24V LED Tail Light Kit (For Jeep)
Height	210.31 mm / 8.28 in
Width	153.67 mm / 6.05 in
Depth	87.12 mm / 3.43 in
Shape	Rectangular
Outer Lens Material	Acrylic
Outer Lens Color	Clear
Housing Color	Black
Bezel Color	Black
Mounting Hardware Description	(x4) #8-16 x 2 Pan Head, Self Tapping Plastite Screw
Connector or Wiring	YAZAKI 7282-5553-30
Mating Connector	YAZAKI 7287-2779-30



Product Dimensions



Electrical Specifications



Input Voltage	12-24V DC
Operating Voltage	9-32V DC
Black Wire	Ground
Purple Wire	Tail
Yellow Wire	Turn
Green Wire	Reverse
Red Wire	Stop
Current Draw	0.082A @ 12V DC (Tail) 0.082A @ 24V DC (Tail) 0.253A @ 12V DC (Stop) 0.138A @ 24V DC (Stop) 0.321A @ 12V DC (Turn) 0.168A @ 24V DC (Turn) 0.134A @ 12V DC (Reverse) 0.100A @ 24V DC (Reverse)

Photometric Specifications



Beam Pattern(s)	Signalization - Stop Signalization - Tail Signalization - Turn (Rear)
------------------------	---

Additional Specifications



IP Rating	IP67
Warranty	Please refer to the Warranty Statement which is available for download on the website
Certification	ECE Reg 3, 6, 7, 23 & 91
Pack Quantity	2 (Left & Right)