

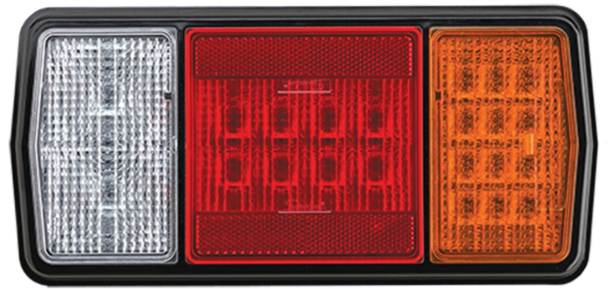
# LED Stop, Tail, Turn & Backup Light – Model 265

## 0342421

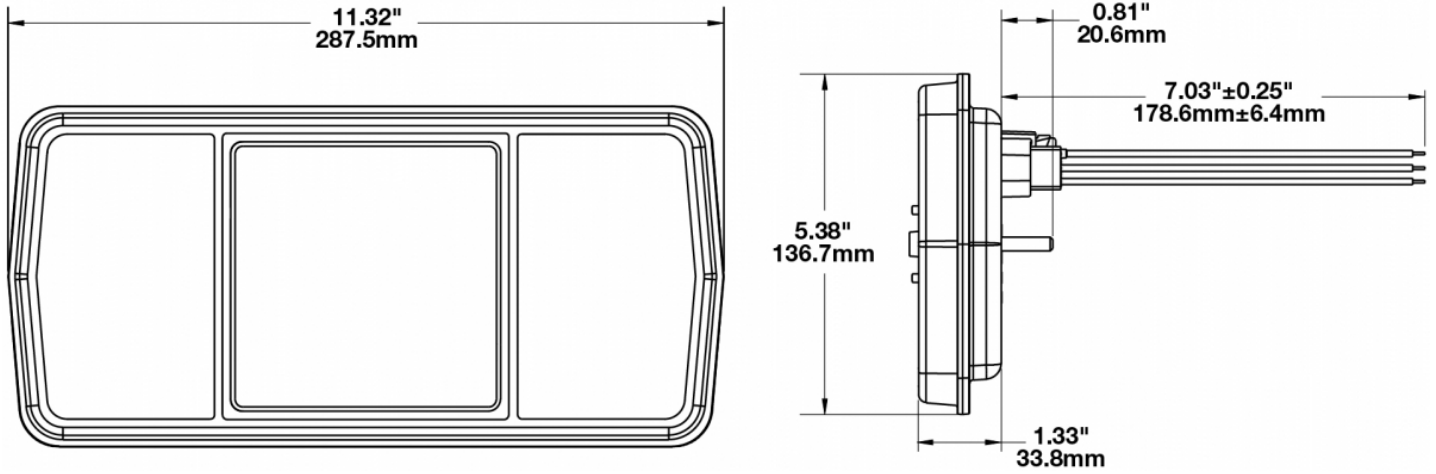


### Product Information

<b>Description</b>	Model 265 - 12/24V LED Signal Light - Red, White & Amber (Stop, Tail, Turn Signal & Reverse)
<b>Height</b>	136.65 mm / 5.38 in
<b>Width</b>	287.53 mm / 11.32 in
<b>Depth</b>	33.78 mm / 1.33 in
<b>Shape</b>	Rectangular
<b>Outer Lens Material</b>	Acrylic
<b>Housing Material</b>	ABS
<b>Housing Color</b>	Black
<b>Mounting Hardware Description</b>	(x2) M6-1 x 25mm Mounting Bolts
<b>Mounting Type</b>	Low Profile Mount
<b>Minimum Operating Temperature</b>	-40 °C
<b>Maximum Operating Temperature</b>	65 °C
<b>Connector or Wiring</b>	6-Pin Deutsch Socket (DT04-6P-E004); Others available
<b>Mating Connector</b>	6-Pin Deutsch Plug (DT06-6S); Others Available
<b>Product Weight</b>	1.34 lbs / 0.61 kgs
<b>Shipping Weight</b>	1.34 lbs / 0.61 kgs



## Product Dimensions



## Electrical Specifications

<b>Input Voltage</b>	12-24V DC
<b>White Wire</b>	Reverse
<b>Yellow Wire</b>	Turn
<b>Red Wire</b>	Stop
<b>Brown Wire</b>	Tail
<b>Black Wire</b>	Ground
<b>Current Draw</b>	0.325A @ 12V DC (Stop) 0.200A @ 24V DC (Stop) 0.060A @ 12V DC (Tail) 0.035A @ 24V DC (Tail) 0.425A @ 12V DC (Turn) 0.325A @ 24V DC (Turn) 0.325A @ 12V DC (Reverse) 0.350A @ 24V DC (Reverse)

## Photometric Specifications

<b>Beam Pattern(s)</b>	Signalization - Stop Signalization - Tail Signalization - Turn (Front) Signalization - Turn (Rear)
------------------------	---

## Additional Specifications

---



<b>IP Rating</b>	IP67
<b>Warranty</b>	Please refer to the Warranty Statement which is available for download on the website
<b>Certification</b>	ECE Reg 3, 6, 7 & 23. SAEJ575, 585, 586, 588, 593, 594, 2040 & 2261. FMVSS 108 Table VII, VIII, IX, XII & XVI
<b>Pack Quantity</b>	1