

LED Headlight – Model 8630 Evolution

3157751

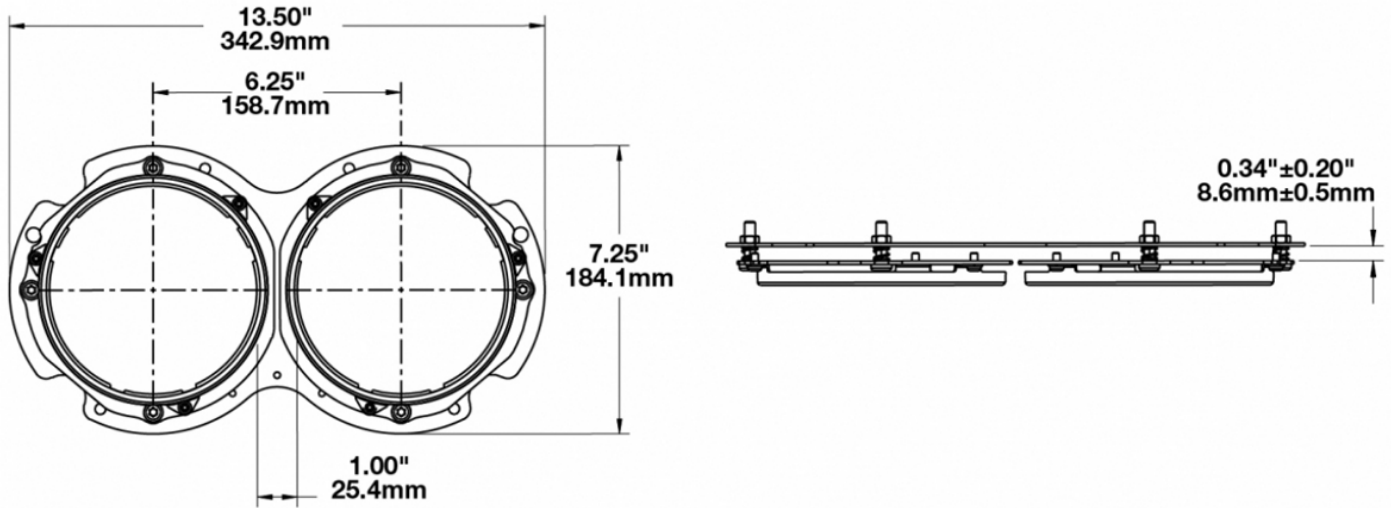
Product Information



Description	Model 8630 - Mounting Assembly - Double Ring Kit
Height	184.1 mm / 7.25 in
Width	342.9 mm / 13.5 in
Product Weight	1.45 lbs / 0.66 kgs
Shipping Weight	2.06 lbs / 0.93 kgs



Product Dimensions



Additional Specifications

Warranty

Please refer to the Warranty Statement which is available for download on the website

Pack Quantity

1