

LED Work Lights – Model 7150

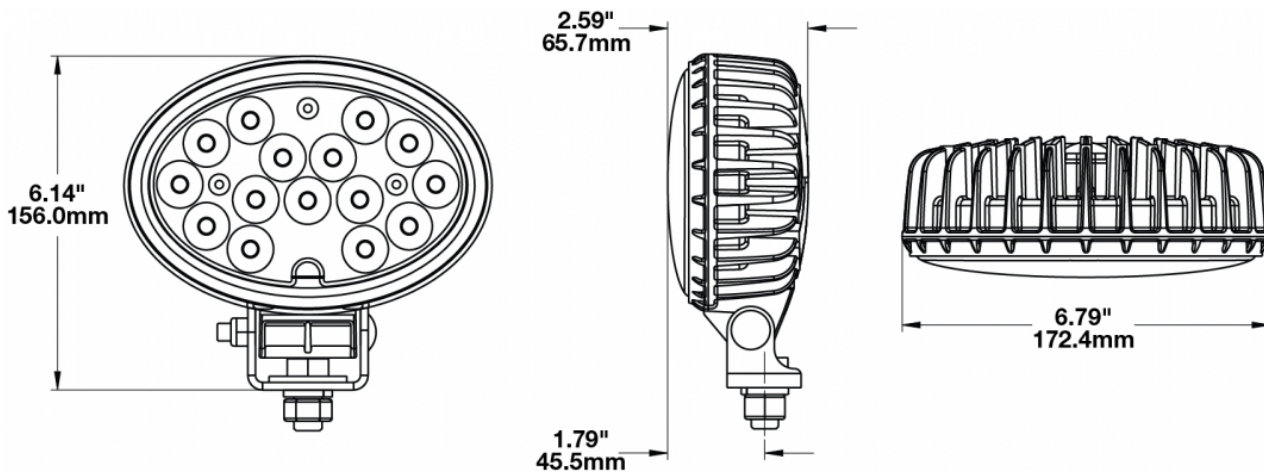
1801581

Product Information

Description	Model 7150 - 12/24V LED Worklight - Flood Beam
Height	155.96 mm / 6.14 in
Width	172.47 mm / 6.79 in
Depth	77.11 mm / 3.04 in
Shape	Oval
Outer Lens Material	Polycarbonate
Outer Lens Color	Clear
Housing Material	Die-Cast Aluminum
Housing Color	Black
Mounting Hardware Description	(x1) 1/2"-13 x 1"
Minimum Operating Temperature	-40 °C
Maximum Operating Temperature	65 °C
Connector or Wiring	Deutsch DT04-2P
Mating Connector	Deutsch DT06-2S
Product Weight	2.10 lbs / 0.95 kgs
Shipping Weight	2.10 lbs / 0.95 kgs



Product Dimensions



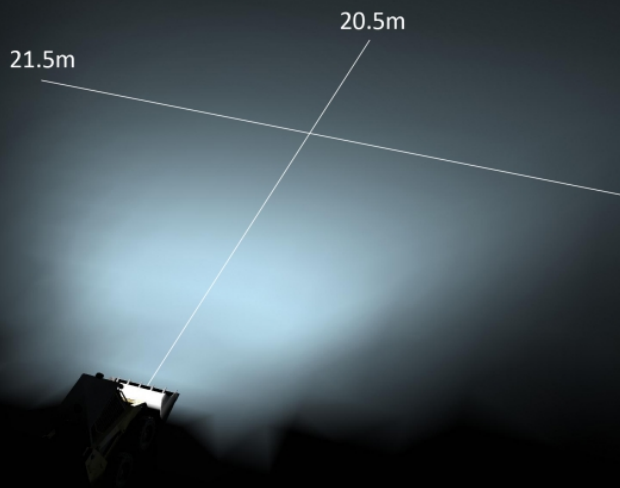
Electrical Specifications

Input Voltage	12-24V DC
Operating Voltage	10-32V DC
Transient Spike Protection	330V Peak @ 1 HZ-100 Pulses
Red Wire	Power - Positive
Black Wire	Ground - Negative
Current Draw	5.50A @ 12V DC 3.20A @ 24V DC

Photometric Specifications

Raw Lumen Output	5,400
Effective Lumen Output	4,500
Nominal LED Color Temperature	5000 K
Beam Pattern(s)	Forward Lighting - Flood (Standard)

Model 7150 - Flood Beam



Beam Measurements - 1 Lux

Lamp Mounting: 2.15m High -10° Down

Additional Specifications



IP Rating	IP69K
Warranty	Please refer to the Warranty Statement which is available for download on the website
Certification	CISPR 12 & 22, SAEJ1113-13
Pack Quantity	1