

LED Work Light – Model 7250 XD

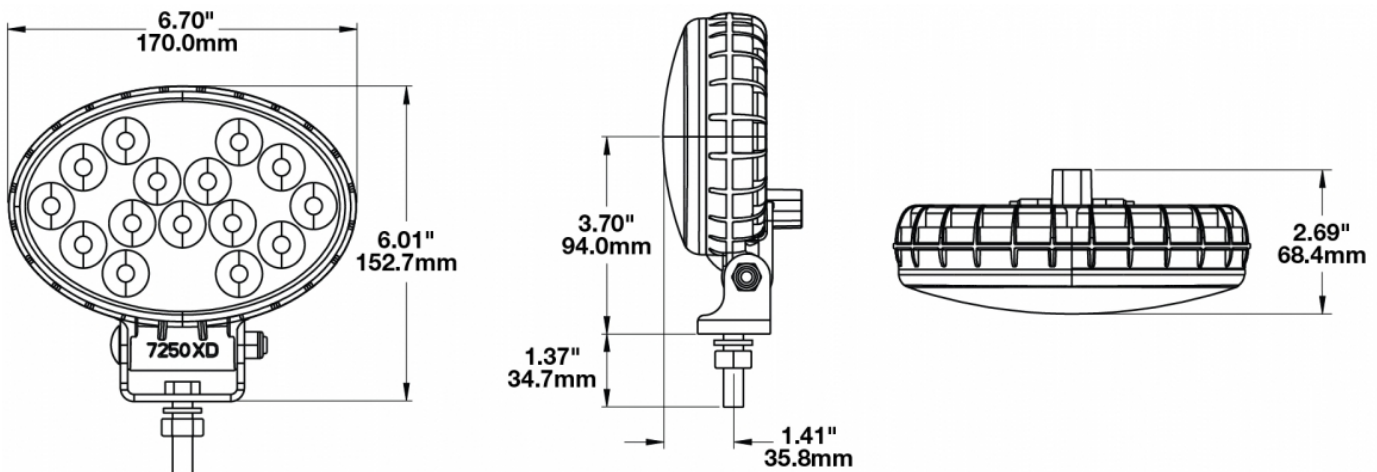
1801521

Product Information

Description	Model 7250XD - 12/24V LED Worklight - Flood Beam
Height	152.40 mm / 6 in
Width	170.18 mm / 6.7 in
Depth	68.58 mm / 2.7 in
Shape	Oval
Outer Lens Material	Polycarbonate
Outer Lens Color	Clear
Housing Material	Polycarbonate
Housing Color	Black
Mounting Hardware Description	(x1) 3/8-16 x 1.5" Stainless Steel Hex Head Bolt
Minimum Operating Temperature	-40 °C
Maximum Operating Temperature	65 °C
Connector or Wiring	Deutsch DT04-2P
Mating Connector	Deutsch DT06-2S
Shipping Weight	2.80 lbs / 1.27 kgs



Product Dimensions



Electrical Specifications



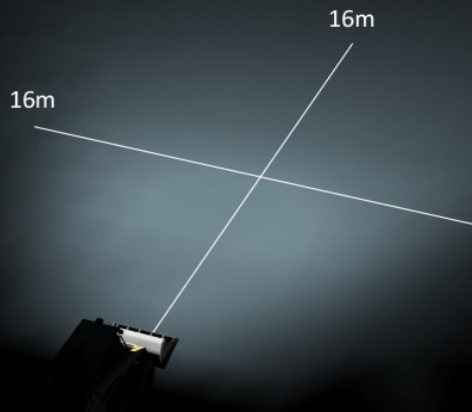
Input Voltage	12-24V DC
Operating Voltage	10-32V DC
Black Wire	Ground
Red Wire	Power
Current Draw	1.60A @ 12V DC 0.90A @ 24V DC

Photometric Specifications



Raw Lumen Output	3,150
Effective Lumen Output	1,400
Nominal LED Color Temperature	5000 K
Beam Pattern(s)	Forward Lighting - Flood (Standard)

Model 7250XD - Flood Beam



Beam Measurements - 1 Lux

Lamp Mounting: 2.15m High -10° Down

Additional Specifications



IP Rating	IP69K
Warranty	Please refer to the Warranty Statement which is available for download on the website
Certification	CISPR 12 & 22, SAEJ1113-13
Pack Quantity	1