

# LED Work Light – Model 7250 XD

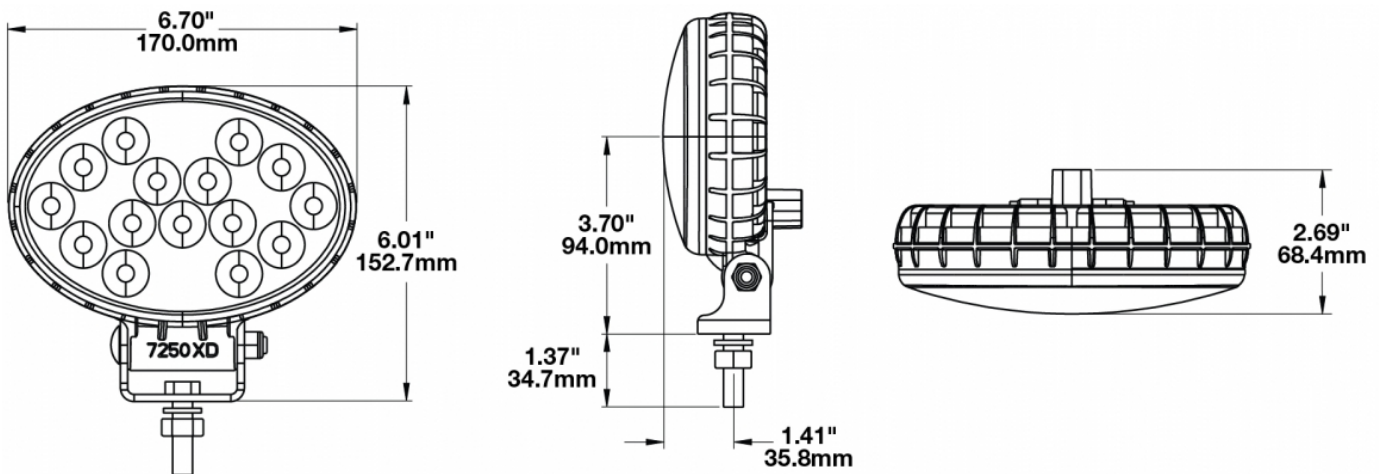
## 1801501

### Product Information

<b>Description</b>	Model 7250XD - 12/24V LED Worklight - Spot Beam
<b>Height</b>	152.40 mm / 6 in
<b>Width</b>	170.18 mm / 6.7 in
<b>Depth</b>	68.58 mm / 2.7 in
<b>Shape</b>	Oval
<b>Outer Lens Material</b>	Polycarbonate
<b>Outer Lens Color</b>	Clear
<b>Housing Material</b>	Polycarbonate
<b>Housing Color</b>	Black
<b>Mounting Hardware Description</b>	(x1) 3/8-16 x 1.5" Stainless Steel Hex Head Bolt
<b>Minimum Operating Temperature</b>	-40 °C
<b>Maximum Operating Temperature</b>	65 °C
<b>Connector or Wiring</b>	Deutsch DT04-2P
<b>Mating Connector</b>	Deutsch DT06-2S
<b>Shipping Weight</b>	2.80 lbs / 1.27 kgs



### Product Dimensions



## Electrical Specifications



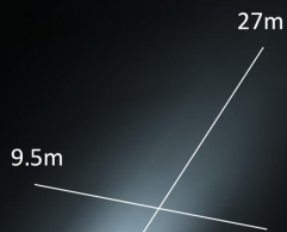
<b>Input Voltage</b>	12-24V DC
<b>Operating Voltage</b>	10-32V DC
<b>Black Wire</b>	Ground
<b>Red Wire</b>	Power
<b>Current Draw</b>	1.60A @ 12V DC 0.90A @ 24V DC

## Photometric Specifications



<b>Raw Lumen Output</b>	3,150
<b>Effective Lumen Output</b>	1,500
<b>Nominal LED Color Temperature</b>	5000 K
<b>Beam Pattern(s)</b>	Forward Lighting - Spot

### Model 7250XD - Spot Beam



Beam Measurements - 1 Lux

Lamp Mounting: 2.15m High -10° Down

## Additional Specifications

---



<b>IP Rating</b>	IP69K
<b>Warranty</b>	Please refer to the Warranty Statement which is available for download on the website
<b>Certification</b>	CISPR 12 & 22, SAEJ1113-13
<b>Pack Quantity</b>	1