

# LED Forklift Warning Light and ARC Safety Light - Model 777 GEN2

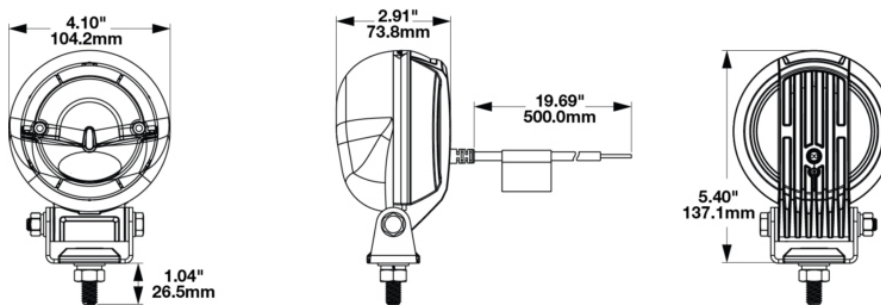
# 1403611

## Product Information

<b>Description</b>	Model 777 GEN2 - 12/72V ARC Warning Lamp - BLUE
<b>Height</b>	137.10 mm / 5.4 in
<b>Width</b>	104.30 mm / 4.11 in
<b>Depth</b>	73.90 mm / 2.91 in
<b>Shape</b>	Round
<b>Outer Lens Material</b>	Polycarbonate
<b>Outer Lens Color</b>	Clear
<b>Housing Material</b>	Die-Cast Aluminum
<b>Housing Color</b>	Black
<b>Bezel Color</b>	Black
<b>Mounting Hardware Description</b>	M10-30mm M10 Stainless Steel
<b>Minimum Operating Temperature</b>	-40 °C
<b>Maximum Operating Temperature</b>	65 °C
<b>Connector or Wiring</b>	19.5" Bare Leads (tinned)
<b>Product Weight</b>	1.50 lbs / 0.68 kgs
<b>Shipping Weight</b>	1.50 lbs / 0.68 kgs



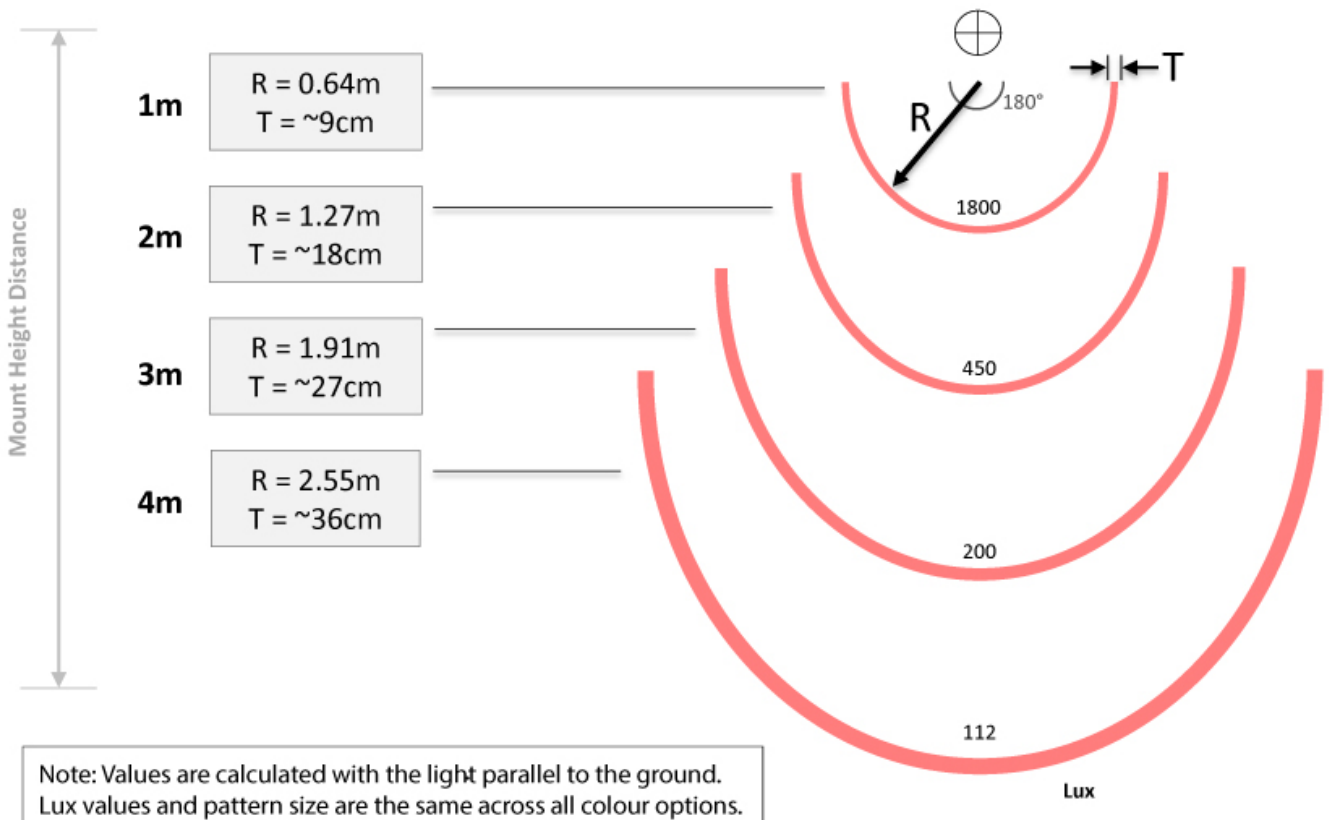
## Product Dimensions



## Electrical Specifications

<b>Input Voltage</b>	12-72V DC
<b>Operating Voltage</b>	10-80V DC
<b>Black Wire</b>	Ground
<b>Red Wire</b>	Power
<b>Current Draw</b>	1.30A @ 12V DC 0.65A @ 24V DC 0.43A @ 36V DC 0.33A @ 48V DC 0.26A @ 60V DC 0.22A @ 72V DC

## Photometric Specifications



## Additional Specifications

---



<b>IP Rating</b>	IP69K
<b>Warranty</b>	Please refer to the Warranty Statement which is available for download on the website
<b>Pack Quantity</b>	1