

# LED Work Light – Model 840 XD

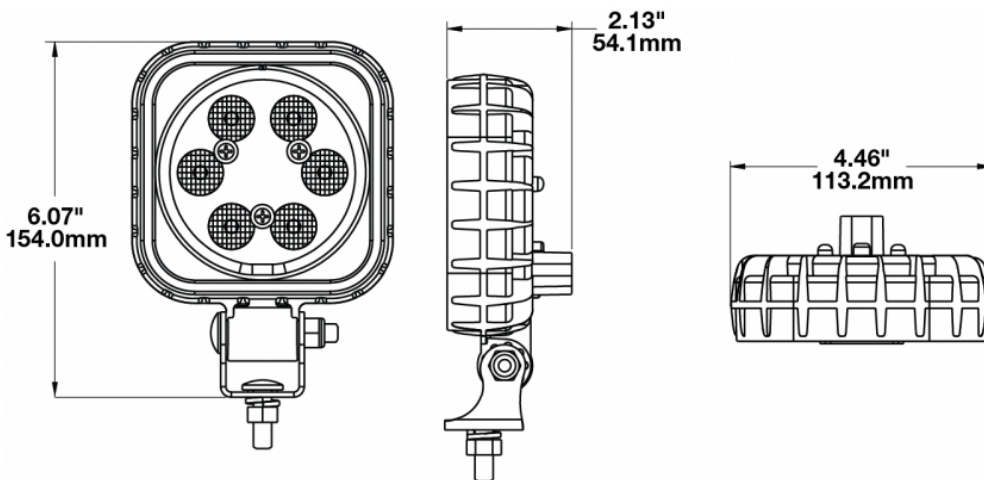
## 1300031

### Product Information

|                                      |   |
|--------------------------------------|---|
| <b>Description</b>                   | Model 840XD - 12/110V LED Worklight - Trap Beam         |
| <b>Height</b>                        | 154.18 mm / 6.07 in                                     |
| <b>Width</b>                         | 113.28 mm / 4.46 in                                     |
| <b>Depth</b>                         | 54.10 mm / 2.13 in                                      |
| <b>Shape</b>                         | Square  |
| <b>Outer Lens Material</b>           | Polycarbonate   |
| <b>Outer Lens Color</b>              | Clear   |
| <b>Housing Material</b>              | Polycarbonate   |
| <b>Housing Color</b>                 | Black   |
| <b>Mounting Hardware Description</b> | (x1) 5/16"-18 x 1.00" Mounting Bolt                     |
| <b>Mounting Type</b>                 | Universal Pedestal Mount                                |
| <b>Minimum Operating Temperature</b> | -40 °C  |
| <b>Maximum Operating Temperature</b> | 65 °C   |
| <b>Connector or Wiring</b>           | Integrated 2-Pin Deutsch Weather-Proof Socket (DT04-2P) |
| <b>Mating Connector</b>              | 2-Pin Deutsch Weather-Proof Plug (DT06-2S)              |
| <b>Shipping Weight</b>               | 1.46 lbs / 0.66 kgs                                     |



### Product Dimensions



## Electrical Specifications

|                                   |   |
|-----------------------------------|---|
| <b>Input Voltage</b>              | 12-110V DC  |
| <b>Operating Voltage</b>          | 10-130V DC  |
| <b>Transient Spike Protection</b> | 330V Peak @ 1 HZ-100 Pulses   |
| <b>Red Wire</b>                   | Positive  |
| <b>Black Wire</b>                 | Negative  |
| <b>Current Draw</b>               | 1.00A @ 12V DC<br>0.50A @ 24V DC<br>0.33A @ 36V DC<br>0.25A @ 48V DC<br>0.16A @ 80V DC<br>0.13A @ 110V DC |

## Photometric Specifications

|                                      |                              |
|--------------------------------------|------------------------------|
| <b>Raw Lumen Output</b>              | 1,080                        |
| <b>Effective Lumen Output</b>        | 780                          |
| <b>Nominal LED Color Temperature</b> | 5000 K                       |
| <b>Beam Pattern(s)</b>               | Forward Lighting - Trapezoid |

Model 840XD - Trap Beam



Beam Measurements - 1 Lux

Lamp Mounting: 2.15m High -10° Down

## Additional Specifications

---



|                      |   |
|----------------------|---|
| <b>IP Rating</b>     | IP69K   |
| <b>Warranty</b>      | Please refer to the Warranty Statement which is available for download on the website |
| <b>Certification</b> | CISPR 12 & 22, SAEJ1113-13, Tested to ECE Reg 10 (Radiated Emissions Only)            |
| <b>Pack Quantity</b> | 1   |