

# LED Work Light – Model 832

# 1300171

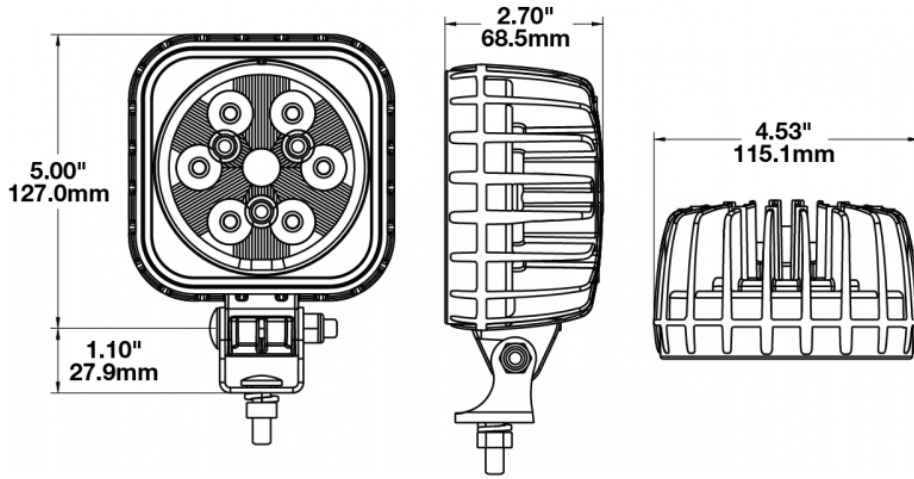
## Product Information



|                                      |   |
|--------------------------------------|---|
| <b>Description</b>                   | Model 832 - 12/24V LED Worklight - Trap Beam            |
| <b>Height</b>                        | 154.94 mm / 6.1 in                                      |
| <b>Width</b>                         | 115.06 mm / 4.53 in                                     |
| <b>Depth</b>                         | 68.58 mm / 2.7 in                                       |
| <b>Shape</b>                         | Square  |
| <b>Outer Lens Material</b>           | Polycarbonate   |
| <b>Outer Lens Color</b>              | Clear   |
| <b>Housing Material</b>              | Die-Cast Aluminum                                       |
| <b>Housing Color</b>                 | Black   |
| <b>Mounting Hardware Description</b> | (x1) 5/16"-18 x 0.58" Mounting Bolt                     |
| <b>Mounting Type</b>                 | Universal Pedestal Mount                                |
| <b>Minimum Operating Temperature</b> | -40 °C  |
| <b>Maximum Operating Temperature</b> | 65 °C   |
| <b>Connector or Wiring</b>           | Integrated 2-Pin Deutsch Weather-Proof Socket (DT04-2P) |
| <b>Mating Connector</b>              | 2-Pin Deutsch Weather-Proof Plug (DT06-2S)              |
| <b>Product Weight</b>                | 1.65 lbs / 0.75 kgs                                     |
| <b>Shipping Weight</b>               | 1.82 lbs / 0.83 kgs                                     |



## Product Dimensions



## Electrical Specifications

|                          |                                 |
|--------------------------|---------------------------------|
| <b>Input Voltage</b>     | 12-24V DC                       |
| <b>Operating Voltage</b> | 10-32V DC                       |
| <b>Red Wire</b>          | Positive                        |
| <b>Black Wire</b>        | Negative                        |
| <b>Current Draw</b>      | 3.5A @ 12V DC<br>1.75A @ 24V DC |

## Photometric Specifications



|                                      |                              |
|--------------------------------------|------------------------------|
| <b>Raw Lumen Output</b>              | 3,900                        |
| <b>Effective Lumen Output</b>        | 2,400                        |
| <b>Nominal LED Color Temperature</b> | 5700 K                       |
| <b>Beam Pattern(s)</b>               | Forward Lighting - Trapezoid |

Model 832 - Trap Beam



Beam Measurements - 1 Lux

Lamp Mounting: 2.15m High -10° Down

## Additional Specifications



|                      |   |
|----------------------|---|
| <b>IP Rating</b>     | IP69K   |
| <b>Warranty</b>      | Please refer to the Warranty Statement which is available for download on the website |
| <b>Pack Quantity</b> | 1   |