

LED Work Light – Model 840 XD

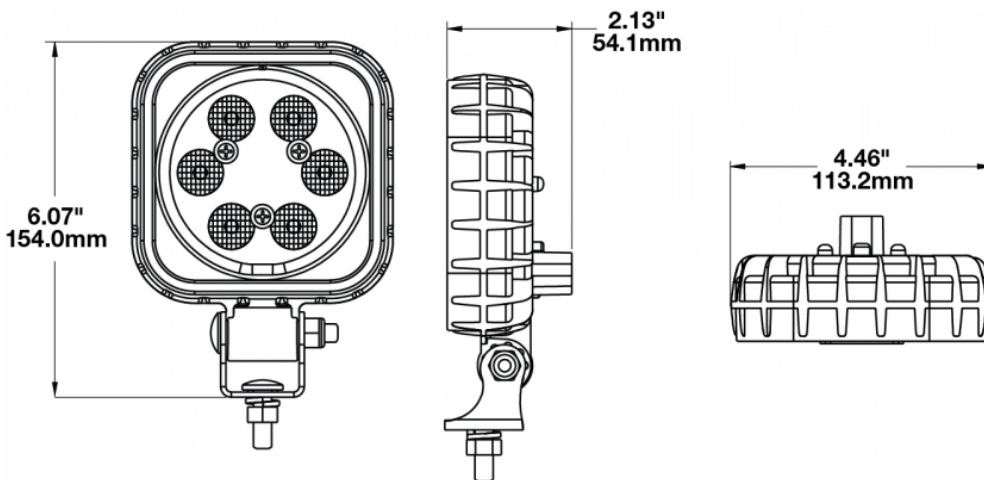
1300101

Product Information

| | |
|--------------------------------------|---|
| Description | Model 840XD - 12/110V LED Worklight - Spot Beam |
| Height | 154.18 mm / 6.07 in |
| Width | 113.28 mm / 4.46 in |
| Depth | 54.10 mm / 2.13 in |
| Shape | Square |
| Outer Lens Material | Polycarbonate |
| Outer Lens Color | Clear |
| Housing Material | Polycarbonate |
| Housing Color | Black |
| Mounting Hardware Description | (x1) 5/16"-18 x 1.00" Mounting Bolt |
| Mounting Type | Universal Pedestal Mount |
| Minimum Operating Temperature | -40 °C |
| Maximum Operating Temperature | 65 °C |
| Connector or Wiring | Integrated 2-Pin Deutsch Weather-Proof Socket (DT04-2P) |
| Mating Connector | 2-Pin Deutsch Weather-Proof Plug (DT06-2S) |
| Shipping Weight | 1.46 lbs / 0.66 kgs |



Product Dimensions



Electrical Specifications



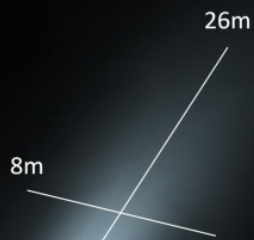
| | |
|-----------------------------------|---|
| Input Voltage | 12-110V DC |
| Operating Voltage | 10-130V DC |
| Transient Spike Protection | 330V Peak @ 1 HZ-100 Pulses |
| Red Wire | Positive |
| Black Wire | Negative |
| Current Draw | 1.00A @ 12V DC 0.50A @ 24V DC 0.33A @ 36V DC 0.25A @ 48V DC 0.16A @ 80V DC 0.13A @ 110V DC |

Photometric Specifications



| | |
|--------------------------------------|-------------------------|
| Raw Lumen Output | 1,080 |
| Effective Lumen Output | 780 |
| Nominal LED Color Temperature | 5000 K |
| Beam Pattern(s) | Forward Lighting - Spot |

Model 840XD - Spot Beam



Beam Measurements - 1 Lux

Lamp Mounting: 2.15m High -10° Down

Additional Specifications



| | |
|----------------------|---|
| IP Rating | IP69K |
| Warranty | Please refer to the Warranty Statement which is available for download on the website |
| Certification | CISPR 12 & 22, SAEJ1113-13, Tested to ECE Reg 10 (Radiated Emissions Only) |
| Pack Quantity | 1 |