

# LED Work Light – Model 840 XD

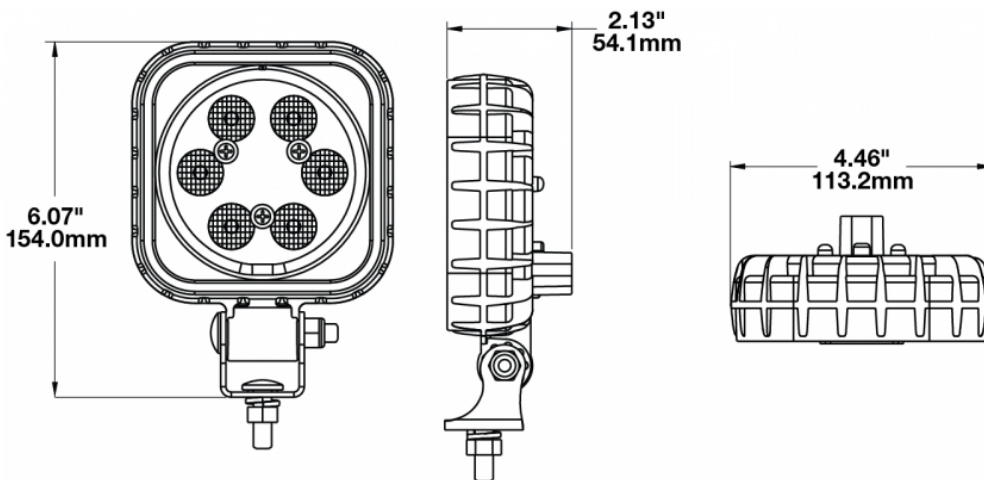
## 1300031

### Product Information

<b>Description</b>	Model 840XD - 12/110V LED Worklight - Trap Beam
<b>Height</b>	154.18 mm / 6.07 in
<b>Width</b>	113.28 mm / 4.46 in
<b>Depth</b>	54.10 mm / 2.13 in
<b>Shape</b>	Square
<b>Outer Lens Material</b>	Polycarbonate
<b>Outer Lens Color</b>	Clear
<b>Housing Material</b>	Polycarbonate
<b>Housing Color</b>	Black
<b>Mounting Hardware Description</b>	(x1) 5/16"-18 x 1.00" Mounting Bolt
<b>Mounting Type</b>	Universal Pedestal Mount
<b>Minimum Operating Temperature</b>	-40 °C
<b>Maximum Operating Temperature</b>	65 °C
<b>Connector or Wiring</b>	Integrated 2-Pin Deutsch Weather-Proof Socket (DT04-2P)
<b>Mating Connector</b>	2-Pin Deutsch Weather-Proof Plug (DT06-2S)
<b>Shipping Weight</b>	1.46 lbs / 0.66 kgs



### Product Dimensions



## Electrical Specifications



<b>Input Voltage</b>	12-110V DC
<b>Operating Voltage</b>	10-130V DC
<b>Transient Spike Protection</b>	330V Peak @ 1 HZ-100 Pulses
<b>Red Wire</b>	Positive
<b>Black Wire</b>	Negative
<b>Current Draw</b>	1.00A @ 12V DC 0.50A @ 24V DC 0.33A @ 36V DC 0.25A @ 48V DC 0.16A @ 80V DC 0.13A @ 110V DC

## Photometric Specifications



<b>Raw Lumen Output</b>	1,080
<b>Effective Lumen Output</b>	780
<b>Nominal LED Color Temperature</b>	5000 K
<b>Beam Pattern(s)</b>	Forward Lighting - Trapezoid

Model 840XD - Trap Beam



Beam Measurements - 1 Lux

Lamp Mounting: 2.15m High -10° Down

## Additional Specifications

---



<b>IP Rating</b>	IP69K
<b>Warranty</b>	Please refer to the Warranty Statement which is available for download on the website
<b>Certification</b>	CISPR 12 & 22, SAEJ1113-13, Tested to ECE Reg 10 (Radiated Emissions Only)
<b>Pack Quantity</b>	1