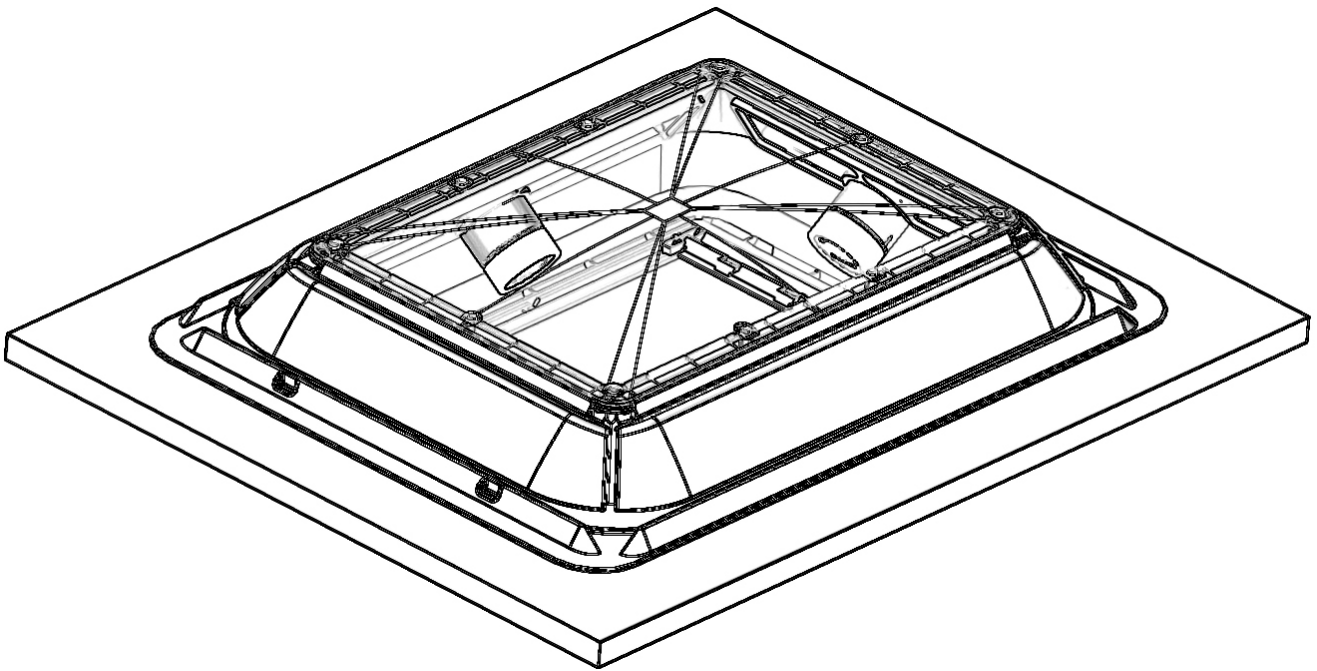


Camec 4 Seasons Evolution 500 x 700

Part No. 044483

Installation Guidelines Ver. 001- 2017



DESIGNED IN AUSTRALIA

CAMEC 4 SEASONS EVOLUTION VERSION 001- 2017

Components Supplied in Carton

- Exterior Assembly*
- Interior Trim *
- 8 M6x45 Bolts*
- Interior Bracket*
- User Manual*
- or 8 M6x65 Bolts***

NOTE:- ITEMS NOTED* MUST BE USED OR WARRANTY MAY BE VOID

Tools required

- Power drill or equivalent with 5mm Hex Bit or Allen Key
- Wiring crimps and insulation
- Neutral Cure Silicone Sealant (Non- Acetic)
- Cleaning / Degreasing Fluid

The following is a list of all spare parts:

Description

4 SEASONS EVOLUTION HATCH - FLYSCREEN

4 SEASONS EVOLUTION HATCH - FLYSCREEN - SHORT 500 SIDE

4 SEASONS EVOLUTION HATCH - OPENING FLAP

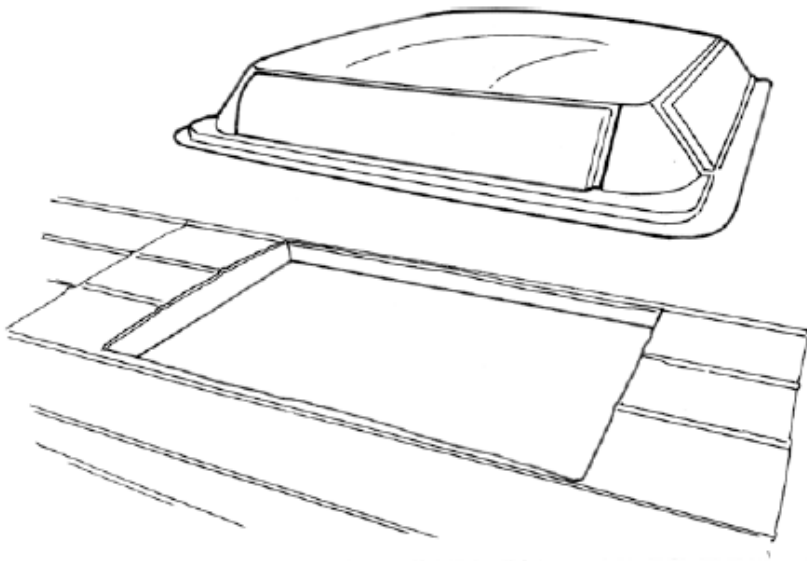
4 SEASONS EVOLUTION HATCH - OPENING FLAP - SHORT 500 SIDE

4 SEASONS EVOLUTION HATCH - WINDER

Spare parts are available from Camec or Authorised Dealers, retailers and Service Agents.
Contact Camec or visit www.camec.com for further details.

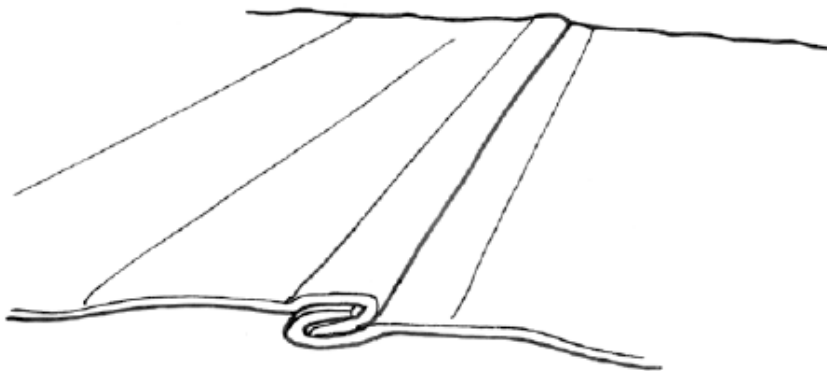
INSTALLATION

Step 1: - When framing the RV roof make provision for hatch by providing suitably placed supports to suit a 500mm x 700mm square opening +/- 2mm

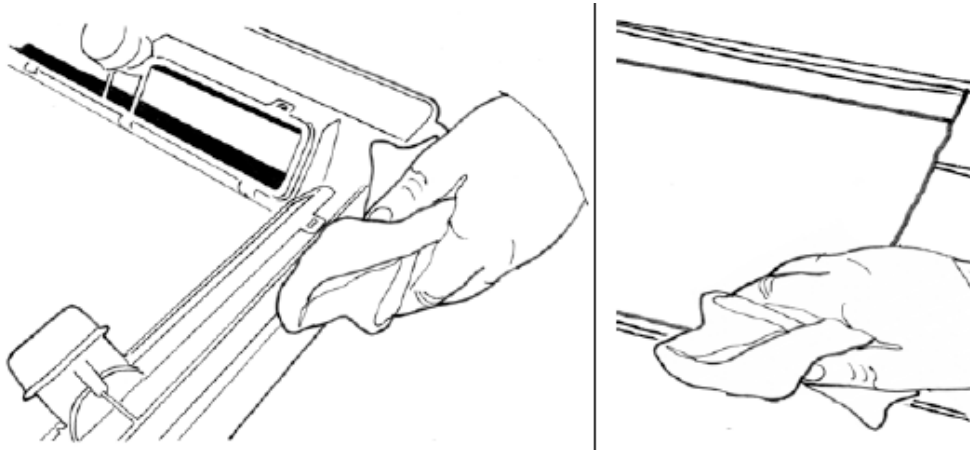


Step 2:- Test fit hatch into cut out area and adjust to suit.

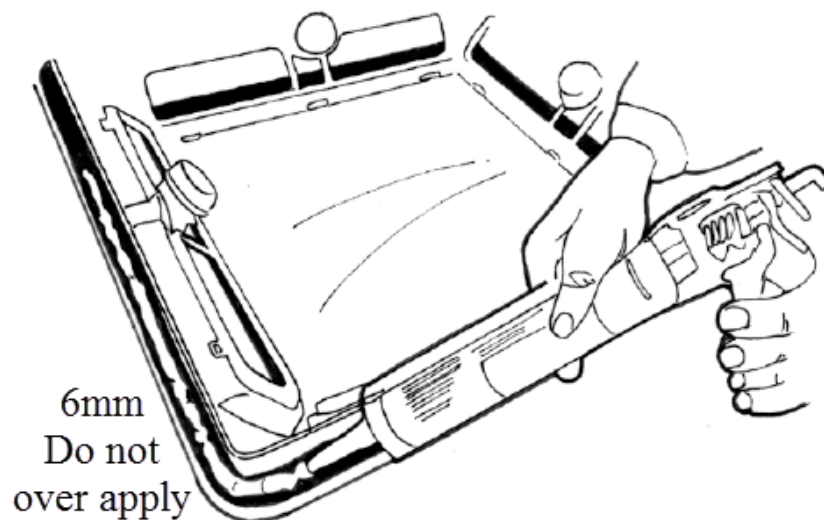
Step 3:- If a seam in the roof sheeting runs under the edges of the hatch be sure to seal and flatten so as to avoid water ingress



Step 4:- Clean roof surface approximately 50mm around the edge of the already cut 500mm x 700mm hole and around flange periphery using Isopropanol / Wax and Grease remover / Methylated Spirits or similar.



Step 5:- Apply a continuous bead of **Non Acetic** silicone a minimum of 6mm wide to the centre of the flange all the way around the hatch. **Do not over apply.**



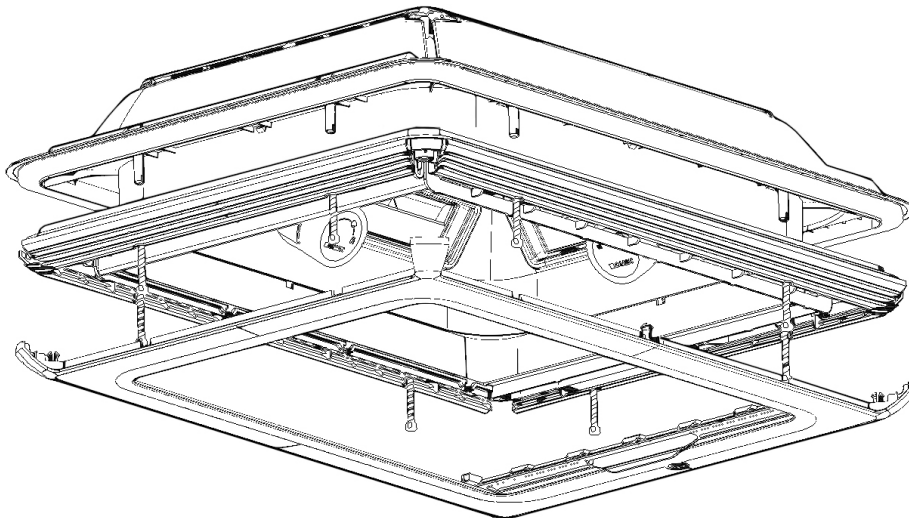
Step 6:- Select correct bolt length based on the thickness of your roof

Mounting Bolt Usage		
Roof Thickness	M6 x 45mm (Qty)	M6 x 65mm (Qty)
25mm – 50mm	8	-
50mm – 70mm	-	8

Step 7:- Join the Intelligent LED wiring from the hatch to the RV's 12VDC power source and insulate the connections.

Step 8:- Hold bracket loosely in place and tighten by hand two opposing bolts. With power drill add remaining bolts and then tighten all 8. Use the lowest torque setting being careful not to over tighten. A 5mm Gap will be present between edge of facia and roof.

Note:- bolt torque may need to be adjusted to achieve best results. Ensure blind runs smoothly.



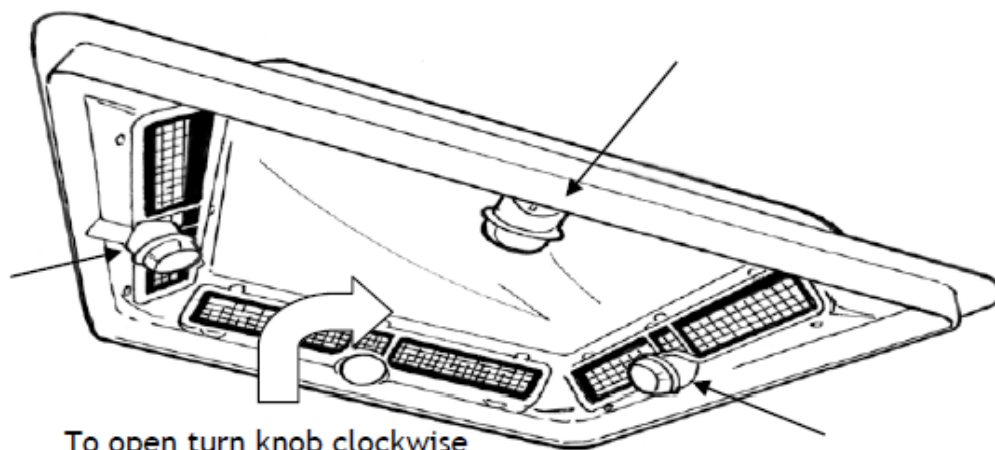
Step 9:- Fit the Interior Trim piece once complete

Clean away the excess silicone and allow to cure.

WARNING: Do not over apply silicone as this may affect the aerodynamics and cause water to flow over the hatch!

WARNING: INSTALLATION INSTRUCTIONS MUST BE FOLLOWED OR WARRANTY MAY BE VOID.

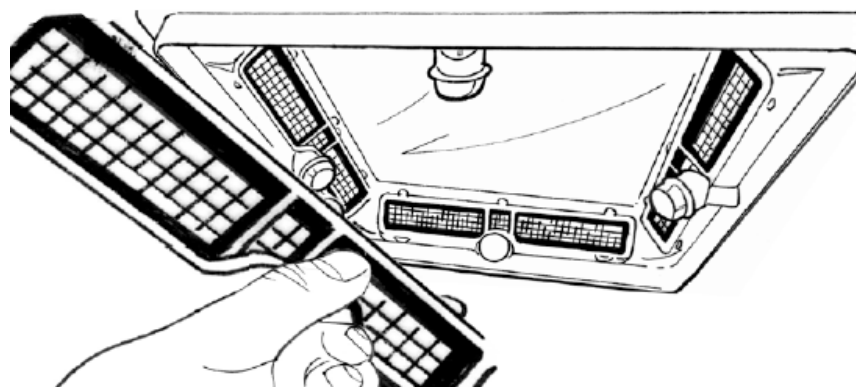
Camec 4 Seasons Evolution 500 x 700 Operating Instructions:



To open turn knob clockwise

- To open ventilation ports on the hatch gently twist one of the four knobs clockwise until corresponding flap opens (Anti-clockwise to close).
- If cooking with a gas appliance it is recommended that hatch flaps be left in the open position.
- Care should be taken to ensure flaps are closed before departing and driving away.

Removal of the Flyscreens

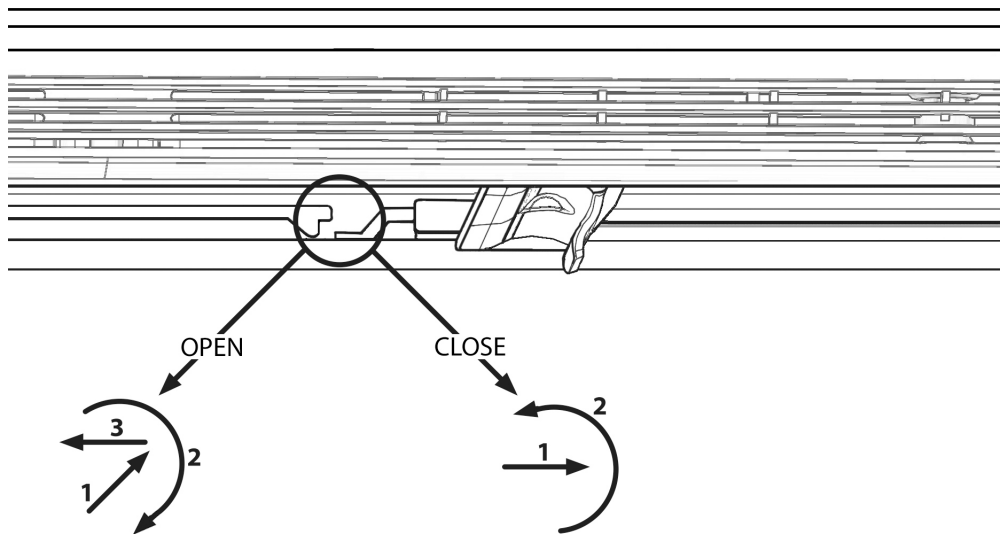


Periodic removal and cleaning of flyscreens is mandatory.

Remove flyscreen by holding the bottom of the surround then gently lifting and pulling forward of the bottom tabs.

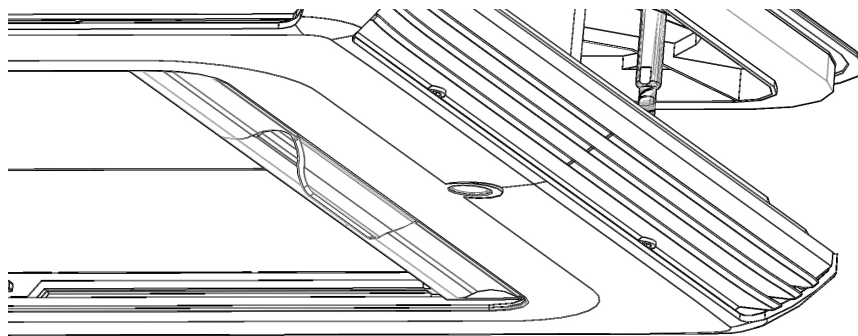
Clean the flyscreen thoroughly and replace by locating the top tabs then pushing the bottom tabs into position.

Operation of Roller Blind



- To open move using finger pocket of the blind handle. Add slight backwards rotation to ensure handle locks into desired position.
- Blind opening can be set at 30%, 60% or 100%
- To release blind move forwards and add slight forwards rotation to ensure handle releases from lock.

Operation of Intelligent LED system



- Use short press of the switch to cycle the LED intensity from 50% ->100% -> Night light (blue) -> OFF
- Whilst on 50% or 100% use a long press to change the colour temperature from warm white to cool white. Long press again to reverse colour temperature.
- Colour temperature setting will be saved automatically.